

Sliding door system for inset door position

► SlideLine M / bottom running



One system, countless applications

SlideLine M makes child's play of designing and assembling 1, 2 or 3-door cabinets. Whether in the kitchen wall unit, as a clever alcove solution, in children's bedroom furniture or in the sideboard: SlideLine M impresses with its tremendous

versatility. Wooden doors are slowed down gently and quietly in closing, opening and colliding direction. The runner and guide profiles can be installed on all sorts of cabinet body and worktop materials.



Design option:
SlideLine M - the multi-talented runner in the kitchen.



No risk of trapped fingers:
SlideLine M provides safety and security.



Tried and tested system:
Use of the standard SlideLine M fitting sets.



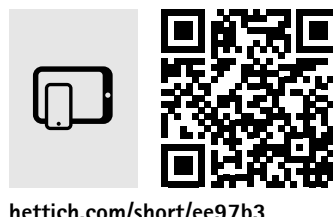
Installation flexibility:
The profiles can either be screwed on, stuck on or slotted in.



One runner, two tracks:
Score with application diversity thanks to SlideLine M.



Tool-less fast installation:
Sliding doors easy to install.

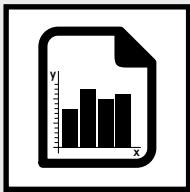


hettich.com/short/ee97b3

Find out more:
You can get inspiration and further product details on our website.

Sliding door system for inset door position

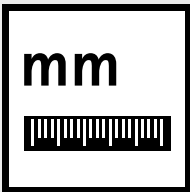
- ▶ SlideLine M / bottom running
- ▶ Summary



Performance summary

844

- ▶ Design principle
- ▶ General information
- ▶ Door format and door weight



Planning dimensions in brief

845



System components

846 - 848



Locking systems

1153



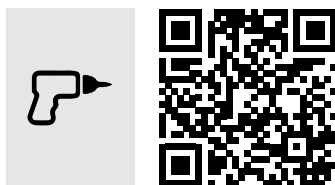
Accessories

1019



Technical information

- ▶ Quality criteria



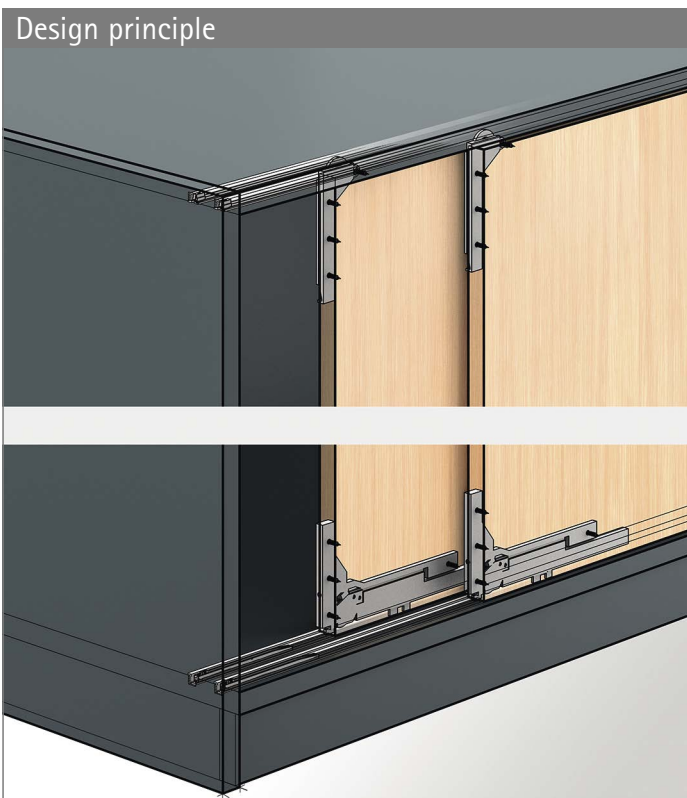
Hettich Technical Assistant

- ▶ Planning dimensions and installation
- ▶ Settings
- ▶ Service

hettich.com/short/3ebda5

Sliding door system for inset door position

- ▶ SlideLine M / bottom running
- ▶ Performance summary



General information

DIN EN 15706, Level 3

Door format and door weight

TH ≤ 2000
TB 300 - 1800
TH ≤ 2 x TB

TB	300	400	500	600	700	800	900	1000	... 1800
TH ≤	600	800	1000	1200	1400	1600	1800	2000	... 2000

hettich.com/short/8681f2

Number of doors and door position

Height adjustment

± 2

Door material

16 - 25

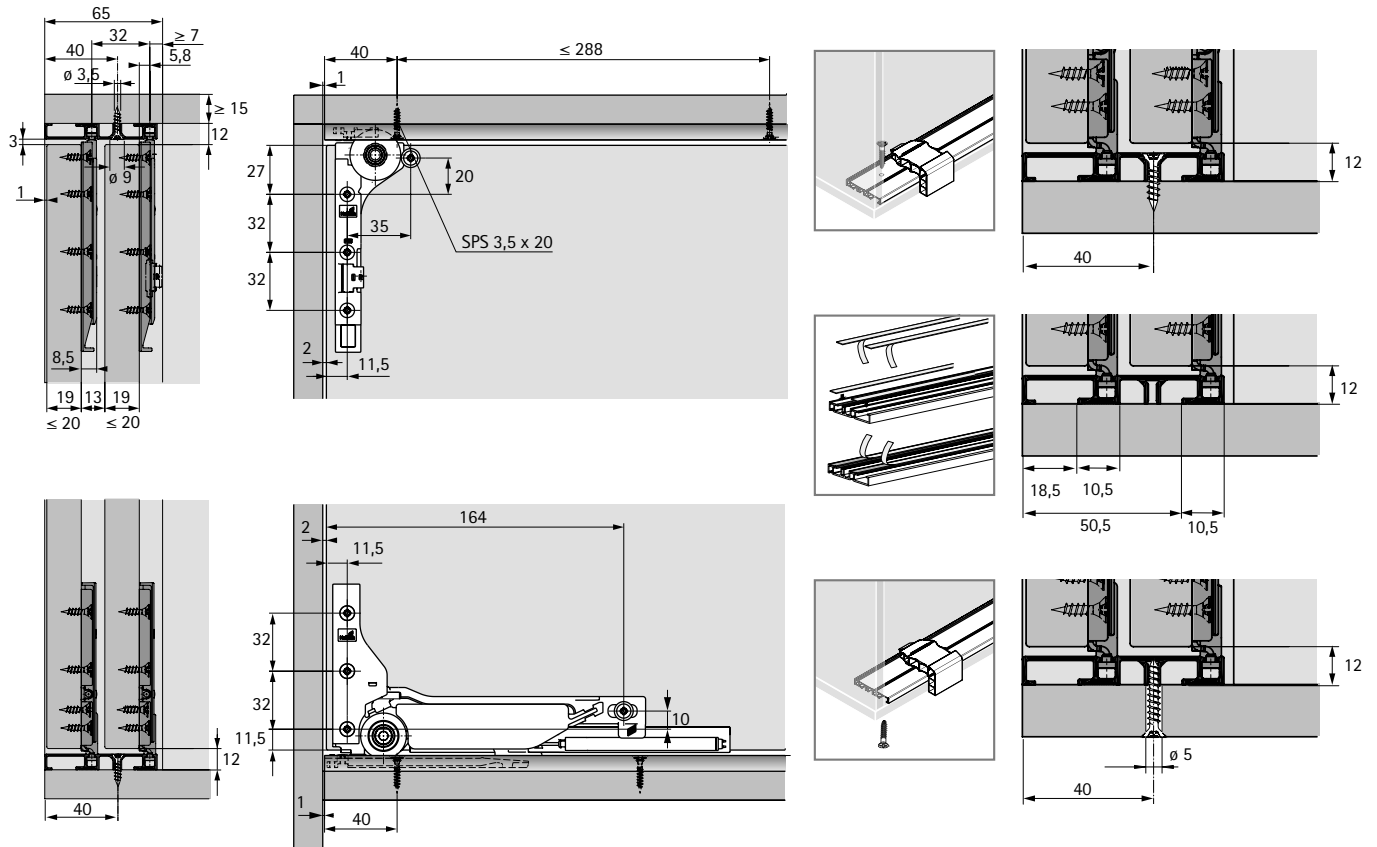
Silent System

	1-door	2-door	3-door	
Soft closing				
Soft opening				
Soft colliding				

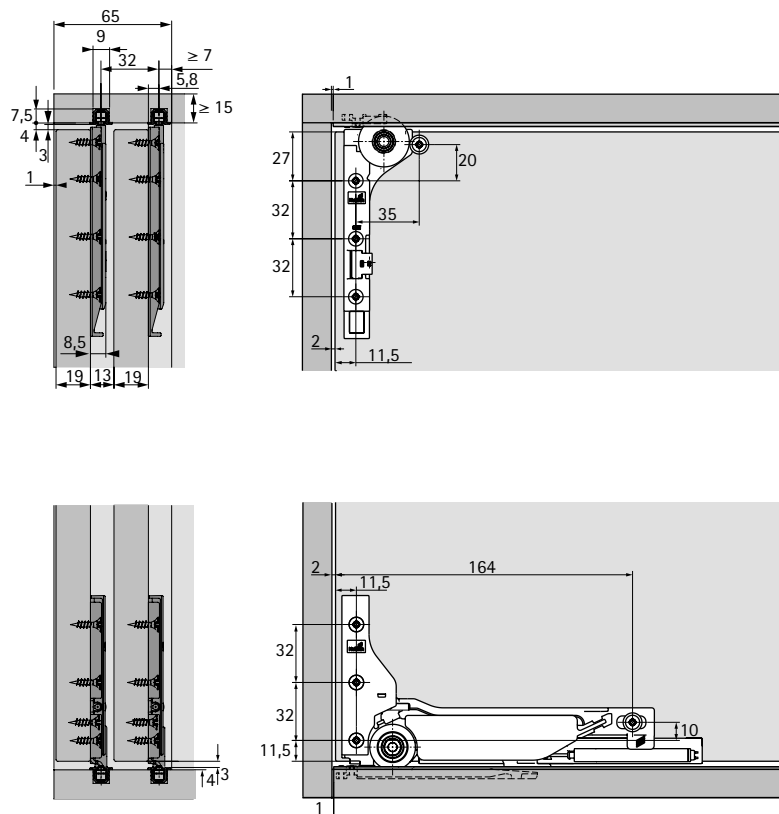
Sliding door system for inset door position

- ▶ SlideLine M / bottom running
- ▶ Performance summary

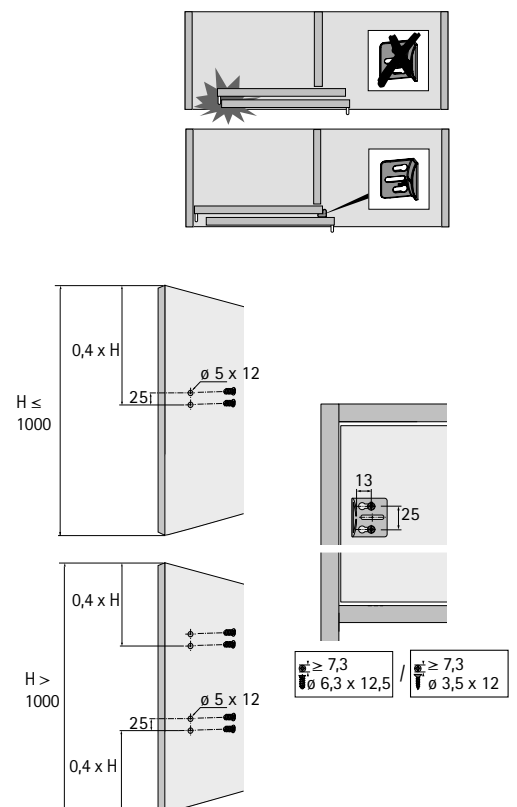
Installation dimensions for 2-track runner profile for screwing on / gluing on



Installation dimensions for 1-track runner profile for pressing in



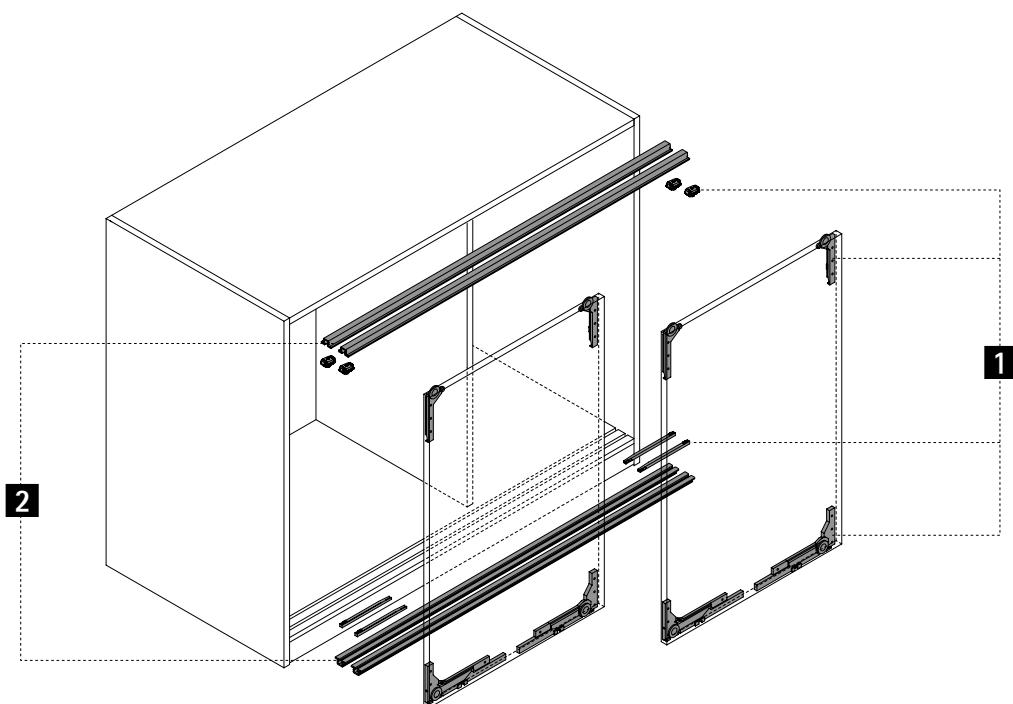
Installation dimensions for door stop



Sliding door system for inset door position

- ▶ SlideLine M inset / bottom running
- ▶ System components

System summary



1 Runner and guide components



2 Profiles



3 System accessories



Sliding door system for inset door position

- ▶ SlideLine M / bottom running
- ▶ System components

1 Runner and guide components

- ▶ Set contains all the components required for 1 wooden sliding door

Illustration	Silent system	Max. door weight in kg	Min. door width mm	Order no.	PU
	With soft closing, opening and colliding	10	450	9 201 921	1 set
		30	450	9 156 338	1 set
	Without	30	300	9 156 339	1 set

2 Profiles

- ▶ Sets contain all profile components for a 1, 2 or 3-door cabinet or wardrobe
- ▶ Aluminium, silver anodised

Illustration	Description	Length mm	Order no.	PU
	▶ 2-track runner profile without holes for screwing on in the screw slot or for sticking on with suitable adhesive tape	2500	9 227 245	1 set
	▶ 1-track runner profile for pressing into the slot	2500	9 227 246	1 set
	▶ 2-track runner profile without holes for screwing on in the screw slot or for sticking on with suitable adhesive tape	4000	9 236 576	1/100 ea.
	▶ 2-track profile with holes for screwing on	2500	9 227 183	1/100 ea.
	▶ 1-track runner profile for pressing into the slot	4000	9 239 329	1/100 ea.

Advice

- ▶ Locking systems 1153
- ▶ Accessories, sliding and folding door systems 1019



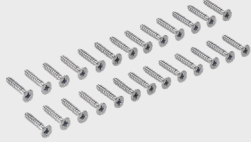

hettich.com/short/438c73

Sliding door system for inset door position


- ▶ SlideLine M / bottom running
- ▶ System components

3 System accessories


Fixing screws

Illustration	Description	Shelf thickness mm	Order no.	PU
	<ul style="list-style-type: none"> ▶ For 2-track runner profile for invisible attachment in screw slot ▶ One set of screws must be used for each profile set 	16	9 229 240	1 set
		18 - 19	9 229 241	1 set
		25	9 229 243	1 set


Adhesive tape

Illustration	Description	Order no.	PU
	<ul style="list-style-type: none"> ▶ Double sided adhesive tape for sticking on 2-track runner profile ▶ 5 metres of adhesive tape must be used per runner profile in a length of 2500 mm ▶ Using adhesive tape requires a suitable, cleaned surface ▶ Supplied on 25 m roll ▶ Easily shortened 	9 227 006	4 ea.

Mounting aid

Illustration	Description	Order no.	PU
	<ul style="list-style-type: none"> ▶ 2-track runner profile for screwing on in the screw slot / for gluing on ▶ Installation requires the use of 2 mounting aids 	9 229 154	50 ea.

Screw on door stop / spacer

Illustration	Description	Order no.	PU
	<ul style="list-style-type: none"> ▶ Optional for handle applications ▶ 1 door stop / spacer required for a 2-door cabinet with a door height < 1000 mm ▶ 2 door stops / spacers are required for a 2-door cabinet in a door height > 1000 mm ▶ Plastic, grey 	9 115 216	1/100 St.
		9 102 993	500 St.

Advice

- ▶ Locking systems 1153
- ▶ Accessories, sliding and folding door systems 1019



[hettich.com/short/438c73](https://www.hettich.com/short/438c73)

