

# Sliding door system for overlay door position

## ► SlideLine M / bottom running



### Design upgrade for furniture

SlideLine M upgrades the practical value and design of furniture. Living room storage units and shelf systems, kitchen wall units as well as bathroom furniture and office cabinets. The versatile system is suitable for all common furniture constructions with wooden or glass doors. Profiles

are available for several shelf thicknesses. The Silent System is integrated on the running component and slows down door running action in closing, opening and colliding direction.



**Including a feel of luxury:**  
Silent System in closing, opening and colliding direction.



**Tool-less fast installation:**  
Sliding doors easy to install.



**Spot on:**  
Integrated height adjustment for perfectly aligned doors.



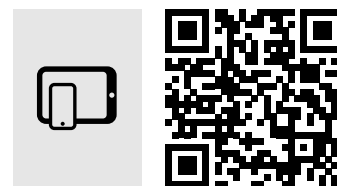
**Fast and easy:**  
Profiles are simple screw mounted to the assembled cabinet body.



**Create furniture with a focus on design:**  
Stick on decorative tapes in three colours add a finishing touch to the runner profile.



**Design in motion:**  
SlideLine M provides customised design options.

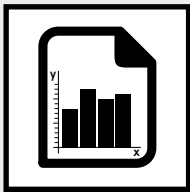


[hettich.com/short/b56580](https://hettich.com/short/b56580)

**Find out more:**  
You can get inspiration and further product details on our website.

# Sliding door system for overlay door position

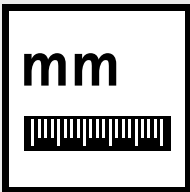
- ▶ SlideLine M / bottom running
- ▶ Summary



## Performance summary

830

- ▶ Design principle
- ▶ General information
- ▶ Door format and door weight



## Planning dimensions in brief

831 - 833



## System components

834 - 836



## Locking systems

1155



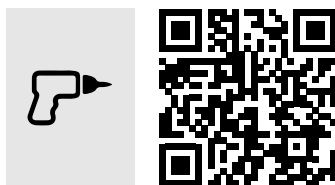
## Accessories

1019



## Technical information

- ▶ Quality criteria



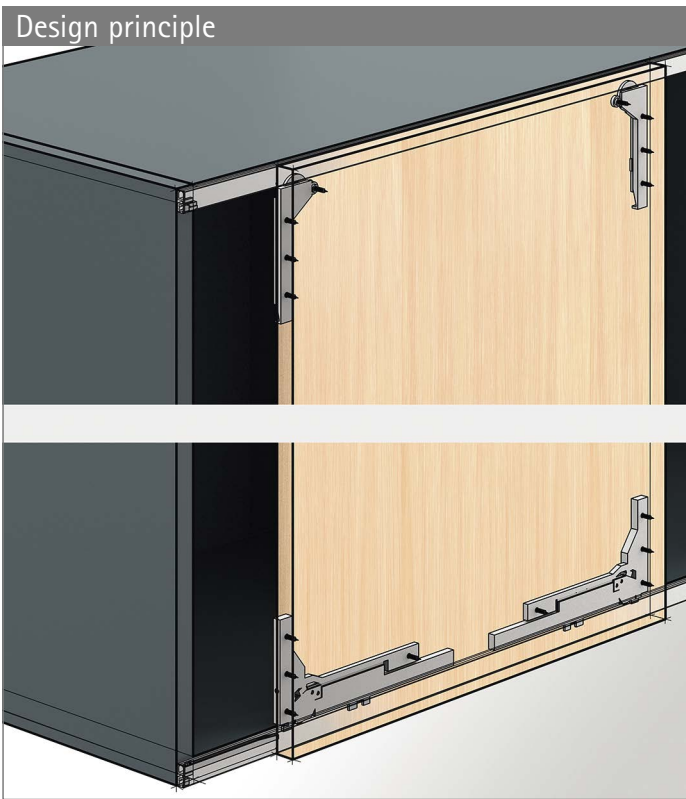
## Hettich Technical Assistant

- ▶ Planning dimensions and installation
- ▶ Settings
- ▶ Service

[hettich.com/short/ece221](https://hettich.com/short/ece221)

# Sliding door system for overlay door position

- ▶ SlideLine M / bottom running
- ▶ Performance summary



### General information

### Door format and door weight

TB	300	400	500	600	700	800	900	1000	... 1800
TH ≤	600	800	1000	1200	1400	1600	1800	2000	... 2000

[hettich.com/short/8681f2](https://hettich.com/short/8681f2)

### Number of doors and door position

### Height adjustment

± 2

### Door material

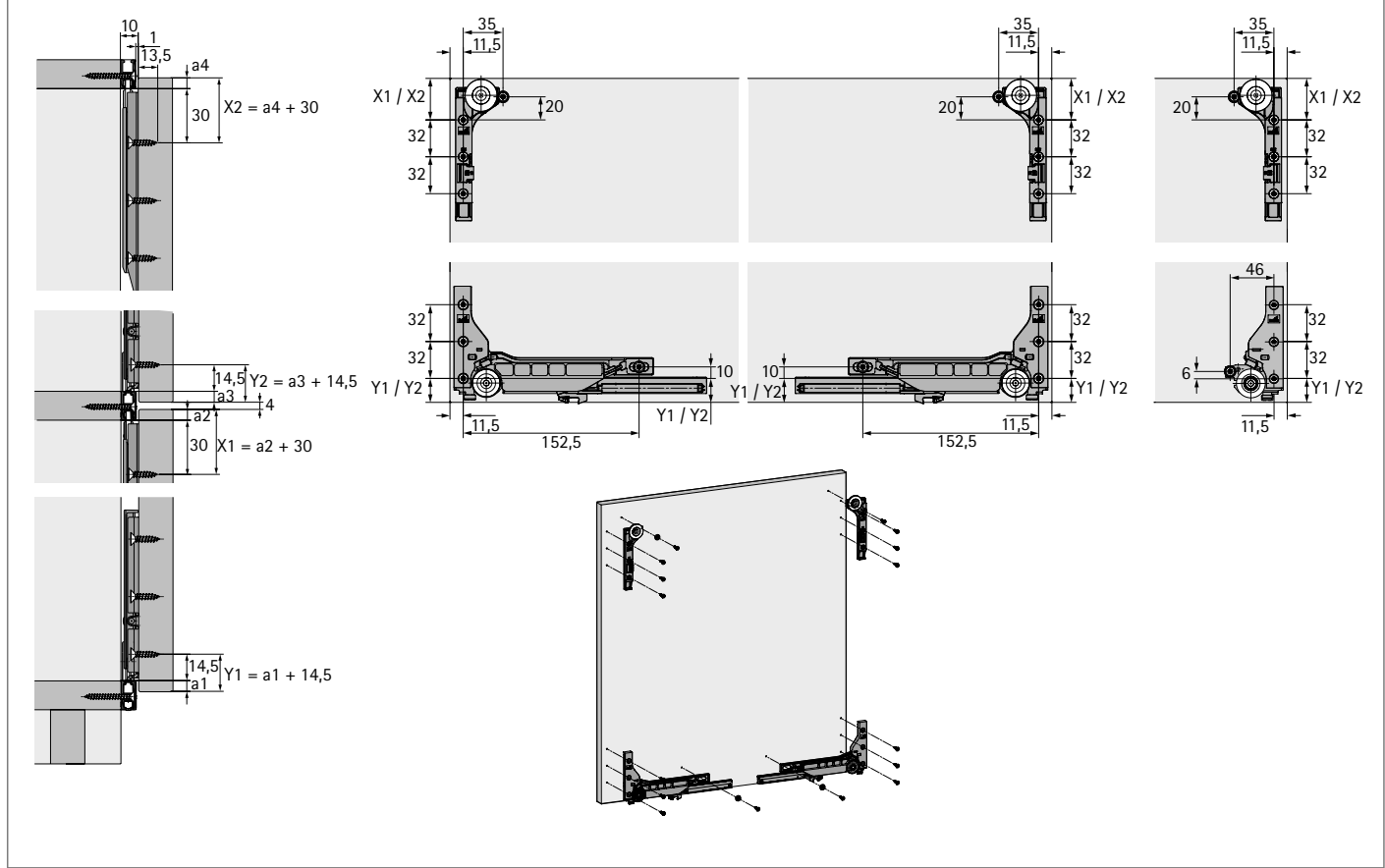
### Silent System

	1-door	with several doors
Soft closing		
Soft opening		
Soft colliding		

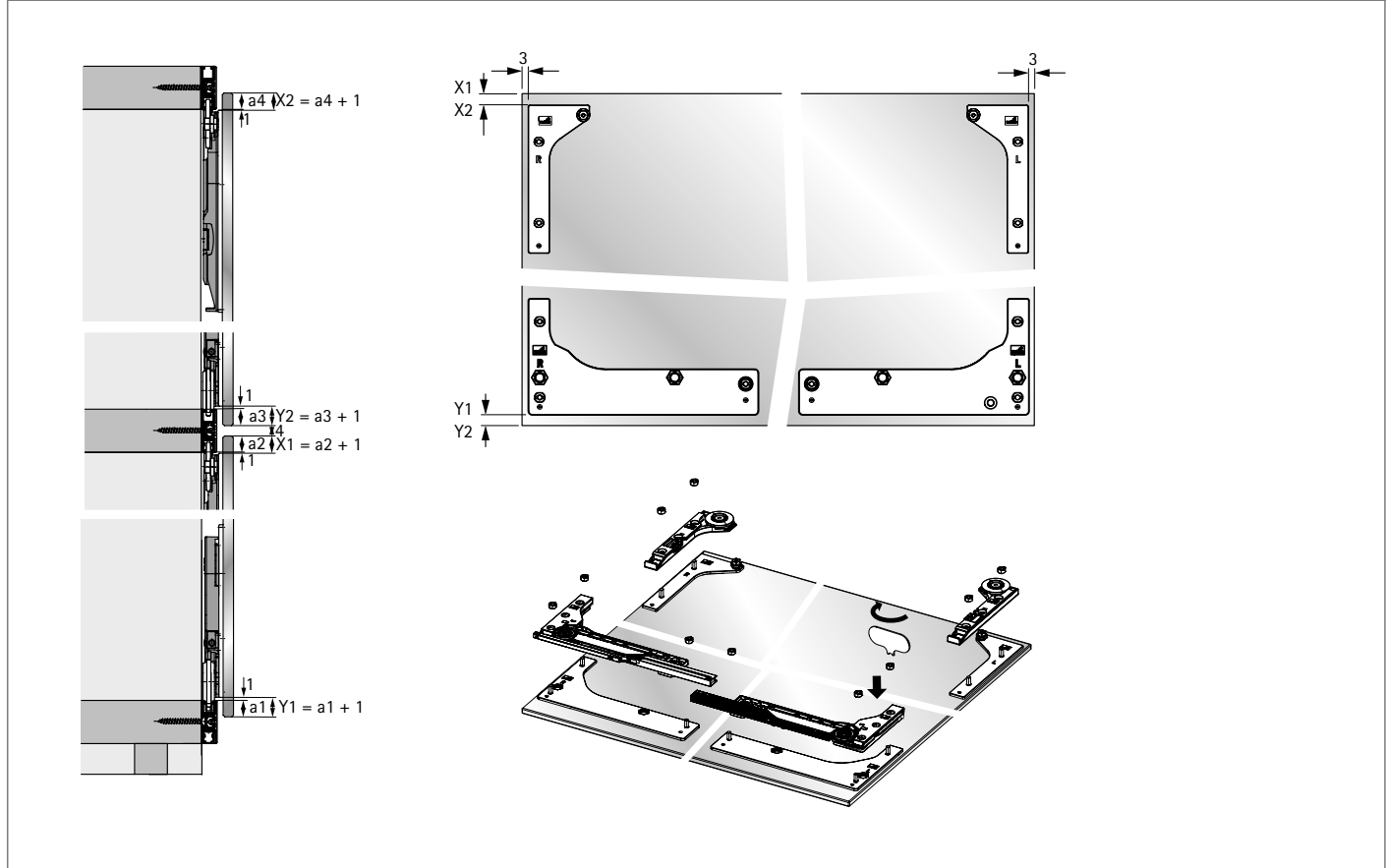
# Sliding door system for overlay door position

- ▶ SlideLine M / bottom running
- ▶ Planning dimensions in brief

## Installation dimensions for wooden door with and without Silent System



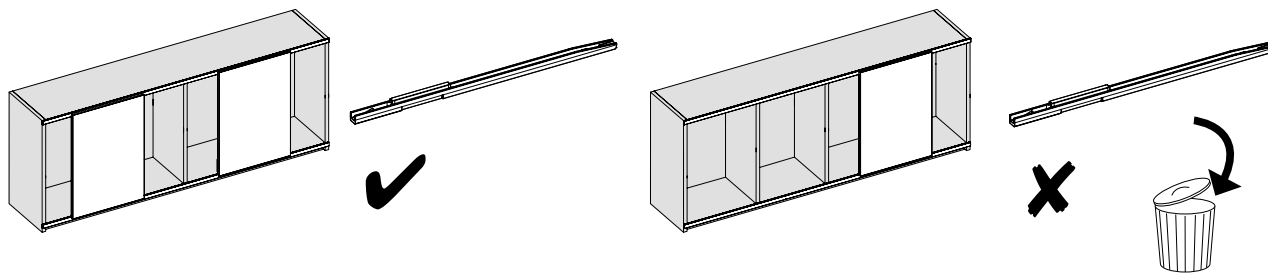
## Installation dimensions for glue mounted glass door with Silent System



# Sliding door system for overlay door position

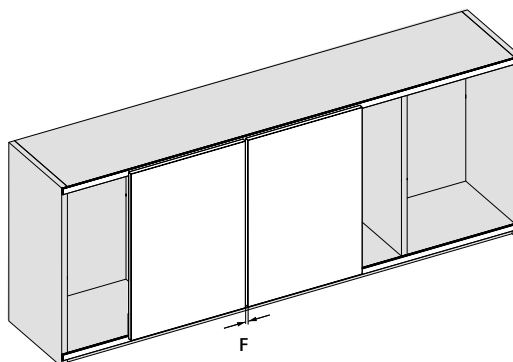
- ▶ SlideLine M / bottom running
- ▶ Planning dimensions in brief

## Soft colliding for two or more doors

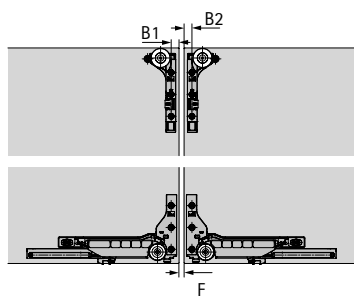


If two or more sliding doors run in one plane, they can be slowed down by soft colliding as they move towards each other.

## Installation dimensions for soft colliding



The centre reveal  $F$  between two wooden doors can be influenced by the position of drill holes B1 and B2 for the running and guide components. Use of the standard drilling pattern produces a centre reveal of  $F = 10$  mm.



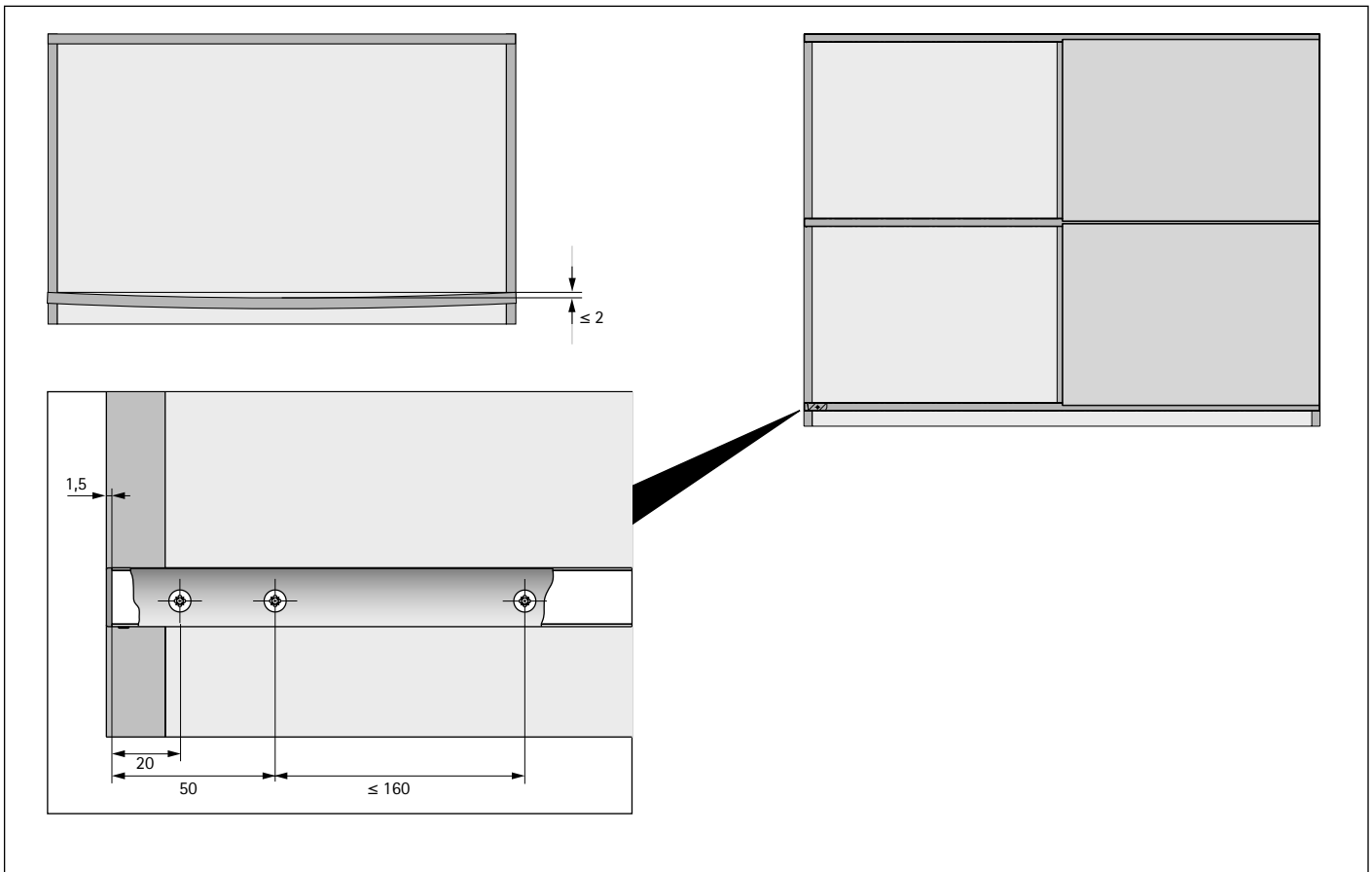
Centre reveal $F$ mm	Drilling position B1 mm	Drilling position B2 mm
10	11,5	11,5
8	12,5	12,5
6	13,5	13,5
4	14,5	14,5
2	15,5	15,5

Depending on door width, door height and closing speed, door tops may collide if the centre reveal is  $< 10$  mm. For this reason, Hettich recommends a centre reveal  $F$  of 10 mm for glass doors.

# Sliding door system for overlay door position

- ▶ SlideLine M / bottom running
- ▶ Planning dimensions in brief

## Intended Use



### Intended use

The SlideLine M furniture fitting is intended for application in furniture and use in dry indoor environments where it is protected from the elements. The version of the fitting with Silent System meets the requirements under DIN EN 15706 Level 3. The version of the fitting without Silent System meets the requirements under DIN EN 15706 Level 1.

### Technical specifications

Door weight:	up to 30 kg	
Door size:	min.	max.
Width:	300 mm	1800 mm
Height:	300 mm	2000 mm
Max. height H for width W:	$H \leq 2 B$	
Shelf thicknesses:	15 mm, 16 mm, 18 mm, 19 mm, 22 mm, 25 mm	
Height adjustment capability:	+/- 2.0 mm	

When constructing furniture, it is important to note that the sliding door must be no higher than twice its width. Up to this relative height, SlideLine M meets the above-stated quality and safety requirements under DIN EN 15706. If the specified maximum relative height is exceeded, the furniture construction must undergo a function and safety test as defined in the relevant furniture standard.

Under DIN EN 15706 Level 1, the version of the fitting without Silent System is approved for use if it passes the 2 kg closing test specified there. If a higher load capacity is to be reached, e.g. on the grounds of requirements defined in a relevant furniture standard, this must be ensured by the fabricator in terms of furniture design (e.g. inset installation).

### Safety risk

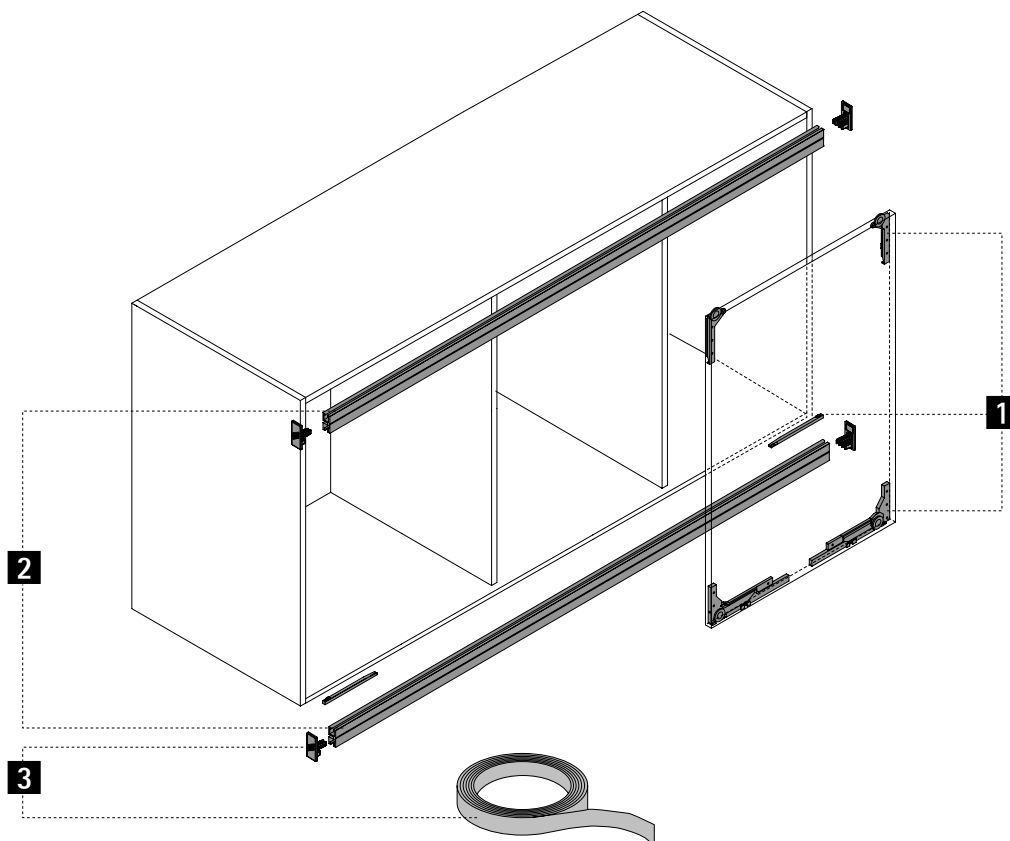


The SlideLine M sliding door fitting is only suitable for applications in which the design of furniture and its dimensional accuracy are capable of ensuring that the top and bottom runners always remain parallel (i.e. also in the case where there is a particularly heavy load on a shelf to which a runner is connected) with a tolerance of no more than +/- 1 mm from the specified distance between both runners. Any failure to meet this requirement, e.g. as a result of sag in the panel to which the bottom runner is mounted, presents a safety risk (door falling out of the runner) that may cause personal injury. The stops must be securely mounted in the profile or safety could be put at risk (from door coming off at side) which may result in personal injury.

# Sliding door system for overlay door position

- ▶ SlideLine M / bottom running
- ▶ System components

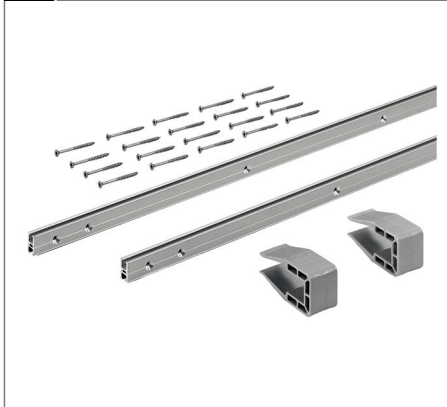
## System summary



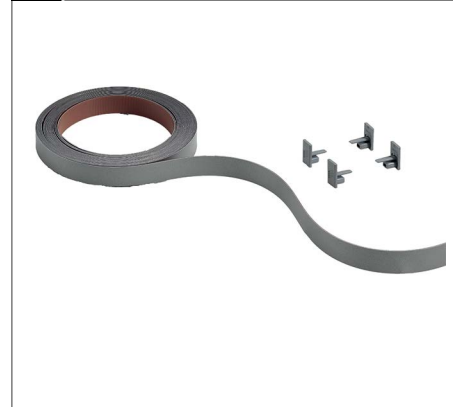
### 1 Runner and guide components



### 2 Profiles



### 3 Coloured sets



### 4 System accessories





# Sliding door system for overlay door position

- ▶ SlideLine M / bottom running
- ▶ System components

## 1 Running and guide components

- ▶ Set contains all the components required for 1 wooden sliding door

Illustration	Silent system	Max. door weight kg	Min. door width mm	Order no.	PU
	with soft closing, opening and colliding	10	450	<b>9 201 921</b>	1 set
		30	450	<b>9 156 338</b>	1 set
	without	30	300	<b>9 156 339</b>	1 set

## 2 Profiles

- ▶ Including mounting clips for easy profile installation
- ▶ If long enough, profiles can be cut into two and used as top and bottom profiles
- ▶ Aluminium, silver anodised

Illustration	Number of profiles	Profile height mm	Shelf thickness mm	Length mm	Order no.	PU
	Profile set, 2 profiles	16	15, 16	2500	<b>9 209 165</b>	1 set
				4000	<b>9 209 166</b>	1 set
		18	18, 19	2500	<b>9 209 167</b>	1 set
				4000	<b>9 209 218</b>	1 set
		22	22	2500	<b>9 209 219</b>	1 set
				4000	<b>9 209 220</b>	1 set
25	25	2500	<b>9 209 221</b>	1 set		
		4000	<b>9 209 222</b>	1 set		
	Profile set, 1 profile (Set of single profiles as upgrade for furniture applications with doors running across each other)	16	15, 16	2500	<b>9 209 223</b>	1 set
				4000	<b>9 209 224</b>	1 set
		18	18, 19	2500	<b>9 209 225</b>	1 set
				4000	<b>9 209 226</b>	1 set
		22	22	2500	<b>9 209 228</b>	1 set
				4000	<b>9 209 229</b>	1 set
		25	25	2500	<b>9 209 230</b>	1 set
				4000	<b>9 209 231</b>	1 set

### Advice

- ▶ Locking systems 1155
- ▶ Accessories for sliding and folding door systems 1019



[hettich.com/short/25630e](https://hettich.com/short/25630e)



# Sliding door system for overlay door position

- ▶ SlideLine M / bottom running
- ▶ System components

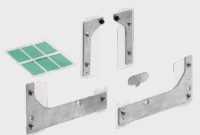
## 3 Coloured sets

- ▶ For concealing the runner profiles with a coloured cover
- ▶ Set contains all the components required for concealing 1 runner profile with a coloured cover
- ▶ Note: for each profile set of 2 profiles, please order 2 coloured sets separately

Illustration	Profile height mm	Length mm	Order no. / colour			PU
			silver	black	white	
	16	2500	9 209 232	9 209 269	9 209 272	1 set
		4000	9 209 268	9 209 271	9 209 273	1 set
	18	2500	9 209 277	9 209 279	9 209 281	1 set
		4000	9 209 278	9 209 280	9 209 283	1 set
	22	2500	9 209 286	9 209 308	9 209 310	1 set
		4000	9 209 287	9 209 309	9 209 311	1 set
	25	2500	9 209 399	9 209 402	9 209 404	1 set
		4000	9 209 400	9 209 403	9 209 405	1 set


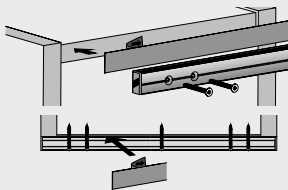
## 4 System accessories

### Upgrade set for glue mounted glass doors with Silent System


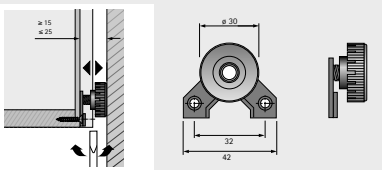
Illustration	Description	Order no.	PU
	<ul style="list-style-type: none"> <li>▶ Set contains all the upgrade components required for glue mounting 1 glass sliding door with Silent System</li> <li>▶ For use with 2-component adhesive</li> <li>▶ Supplied without adhesive</li> <li>▶ Mounting adapter material: zinc alloy to DIN EN 12844-ZP5</li> </ul>	9 184 566	1 set

### Spacer profile

- ▶ For use with set back shelves
- ▶ Prevents the runner profiles from sagging
- ▶ Simply sticks onto shelf between side and centre panels
- ▶ Positively connected solution without gap between shelf and profile
- ▶ Supplied on 15 m roll, can easily be shortened
- ▶ Thickness 1 mm, grey

Illustration	Installation note	Profile height mm	Shelf thickness mm	Order no.	PU
		16	16 - 19	9 200 421	1 ea.
		22	22 - 25	9 200 422	1 ea.

### Spacers

Illustration	Installation note	Description	Order no.	PU
		<ul style="list-style-type: none"> <li>▶ For depth compensation in the lower section of the rear panel</li> <li>▶ Depth compensation from 15 - 25 mm</li> <li>▶ Self adhesive for easy installation; can be additionally secured by screws</li> </ul>	0 020 784	1/100 ea.

### Advice

- ▶ Locking systems 1155
- ▶ Accessories for sliding and folding door systems 1019



[hettich.com/short/25630e](https://hettich.com/short/25630e)

