

Sliding door system / bottom running

- ▶ SlideLine M / inset door position
- ▶ All the benefits at a glance



One system, countless applications. SlideLine M makes child's play of designing and assembling 2-door or 3-door cabinets. There's no limits to your creativity. Whether in the kitchen wall unit, as a clever alcove solution, in children's bedroom furniture or in the sideboard, SlideLine M impresses with its tremendous versatility. Wooden, aluminium framed or glass doors weighing up to 30 kg are quietly and

gently slowed down in closing, opening and colliding direction. The runner and guide profiles can be installed on all sorts of carcass and worktop materials as they can either be screwed on, stuck on or groove mounted.



Design option: Whether in the wall unit or as clever alcove solution, SlideLine M is an integral part of the modern kitchen.



Not risk of trapping little feet: SlideLine M's inset door position is also safe for children's little feet.



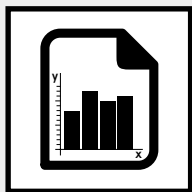
Tried and tested system: use of the standard SlideLine M fitting sets.



Installation options: The runner and guide profiles can either be screwed on, stuck on or groove mounted.

Sliding door system / bottom running

- ▶ SlideLine M / inset door position
- ▶ Summary



Performance summary

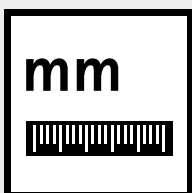
28 - 29

- ▶ Technical details in brief
- ▶ Door sizes
- ▶ Silent System
- ▶ Operating principle



System components

30 - 32



Planning dimensions

33



Installation

34 - 37



Accessories

102 - 116



Technical Information

- ▶ Calculating door weights
- ▶ Design advice sliding door systems
- ▶ Quality criteria

118 - 119

120 - 122

123

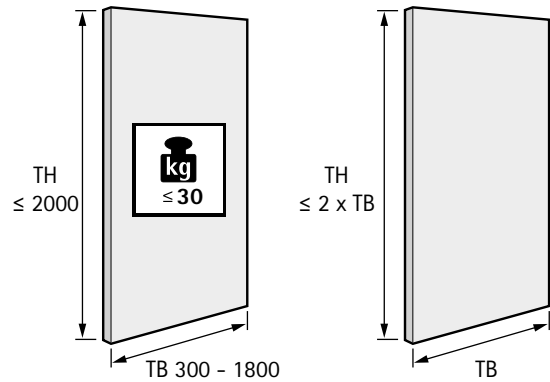
Sliding door system / bottom running

- ▶ SlideLine M / inset door position
- ▶ Performance summary

Technical details in brief

- ▶ 2-track bottom-running sliding door system
- ▶ Inset door position
- ▶ Wooden, glass or aluminium framed doors
- ▶ 2-door or 3-door application
- ▶ Runner and guide profile for screwing on or pressing in
- ▶ Door weight up to 30 kg
- ▶ Door height up to 2000 mm
- ▶ Door width from 300 - 1800 mm
- ▶ +/- 2 mm height adjustment
- ▶ Silent System in closing, opening and colliding direction
- ▶ Door quickly mounted without the need for tools
- ▶ Tested to EN 15706, Level 3

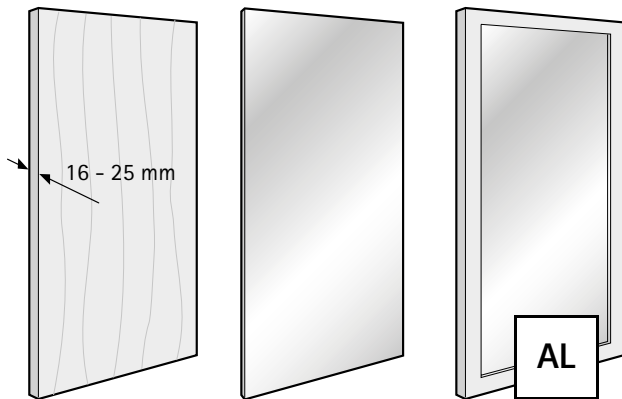
Door format and door weight



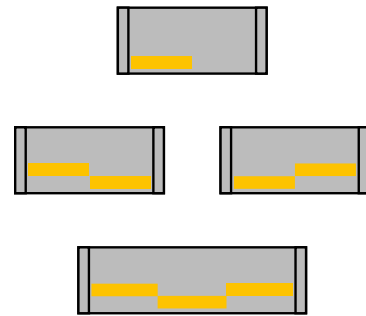
TB	300	400	500	600	700	800	900	1000	...	1800	
TH ≤	600	800	1000	1200	1400	1600	1800	2000	...	2000	

see pages 118 - 119

Door material



Number of door wings and door position



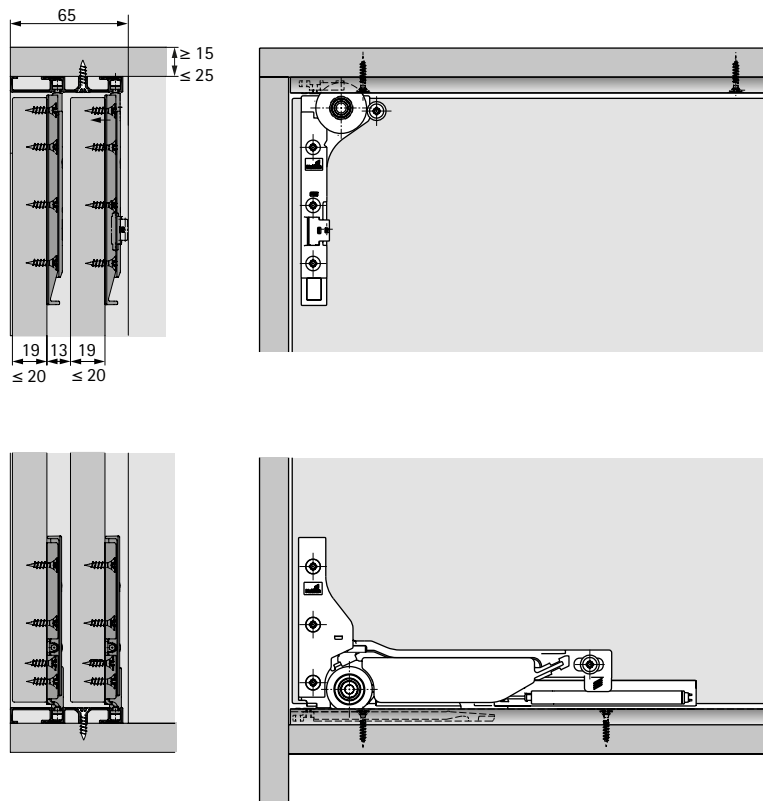
Silent System

	1-door	with several doors
Soft closing		
Soft opening		
Soft colliding		

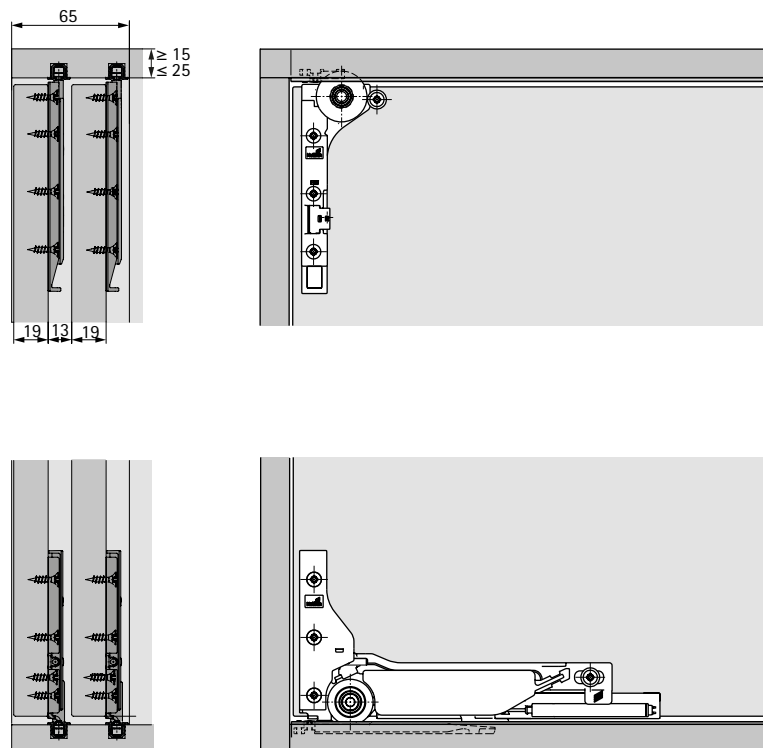
Sliding door system / bottom running

- ▶ SlideLine M / inset door position
- ▶ Performance summary

Operating principle / 2-track runner profile for screwing on / sticking on



Operating principle / 1-track runner profile for pressing in



- ▶ SlideLine M / inset door position
- ▶ System components

Profile set: 2-track runner profile for screwing on / sticking on



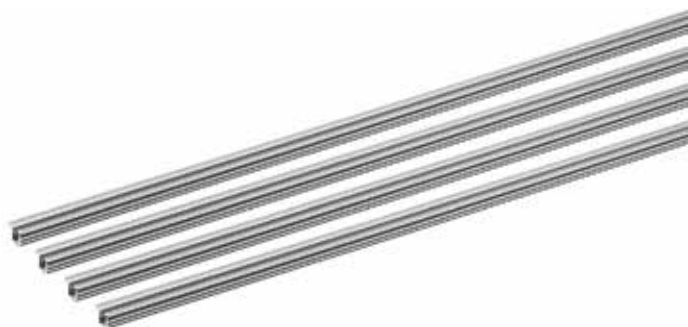
- ▶ Set contains all the profile components required for a 2-door or a 3-door cabinet
- ▶ Attachment in the screw slot or attachment using suitable adhesive tape

- Set comprises:
- ▶ 2 runner profiles, aluminium, silver anodized
 - ▶ 2 mounting adapters

- Advice:
- ▶ Please order fitting sets separately (see p. 8)
 - ▶ Screws used for attachment in the screw slot must be ordered separately
 - ▶ Adhesive tape for bonded mounting must be ordered separately

Length mm	Order no.	PU
2500	9 227 245	1 set

Profile set: 1-track runner profile for pressing in



- ▶ Set contains all the profile components required for a 2-door or a 3-door cabinet
- ▶ Runner profiles for pressing in

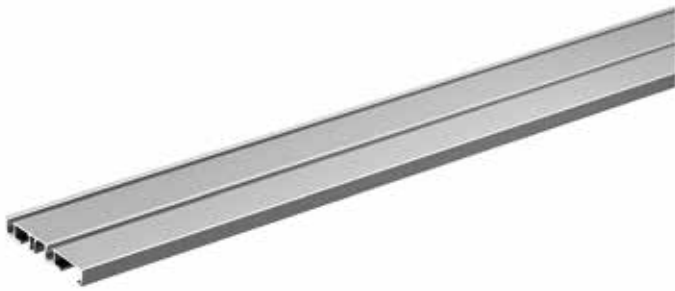
- Set comprises:
- ▶ 4 runner profiles, aluminium, silver anodized

- Advice:
- ▶ Please order fitting sets separately (see p. 8)

Length mm	Order no.	PU
2500	9 227 246	1 set

- ▶ SlideLine M / inset door position
- ▶ System components

2-track runner profile for screwing on in the screw slot / for sticking on



- ▶ 2-track runner profile without holes
- ▶ Attachment by screwing on in the screw slot or attachment using suitable adhesive tape
- ▶ Two runner profiles must be fitted per 2-door or 3-door cabinet
- ▶ Aluminium, silver anodized

Advice:
Customised lengths are available on request

Length mm	Order no.	PU
2500	9 227 186	100 ea.
individual	LA 11660	100 ea.

2-track runner profile for screwing on



- ▶ 2-track runner profile with holes
- ▶ Screw on attachment
- ▶ Two runner profiles must be fitted per 2-door or 3-door cabinet
- ▶ Aluminium, silver anodized

Advice:
▶ Customised lengths are available on request

Length mm	Order no.	PU
2500	9 227 183	100 ea.
individual	LA 11660	100 ea.

1-track runner profile for pressing in



- ▶ 1-track runner profile
- ▶ For pressing into groove
- ▶ Four runner profiles must be fitted per 2-door or 3-door cabinet
- ▶ Aluminium, silver anodized

Advice:
▶ Customised lengths are available on request

Length mm	Order no.	PU
2500	9 227 188	100 ea.
individual	LA 11640	100 ea.

- ▶ SlideLine M / inset door position
- ▶ System components

Fixing screws



- ▶ For 2-track runner profile for invisible attachment in screw slot
- ▶ Fixing screws for max. shelf thicknesses of 16, 18/19 and 25 mm
- ▶ Galvanised steel
- ▶ One set of screws must be used for each profile set

Set comprises:
26 screws

Shelf thickness mm	Order no.	PU
16	9 229 240	1 set
18 - 19	9 229 241	1 set
25	9 229 243	1 set

adhesive tape



- ▶ Double sided adhesive tape for sticking on 2-track runner profile
- ▶ 5 metres of adhesive tape must be used per runner profile in a length of 2,500 mm
- ▶ Using adhesive tape requires a suitable, cleaned surface
- ▶ Supplied on 25 m roll
- ▶ Easily shortened

Länge m	Order no.	PU
25	9 227 006	4 ea.

Montagehilfe



- ▶ 2-lane running profile for screwing in screw slot / for gluing
- ▶ Two mounting aids are required for mounting

Order no.	PU
9 229 154	50 St.

Screw on door stop / spacer



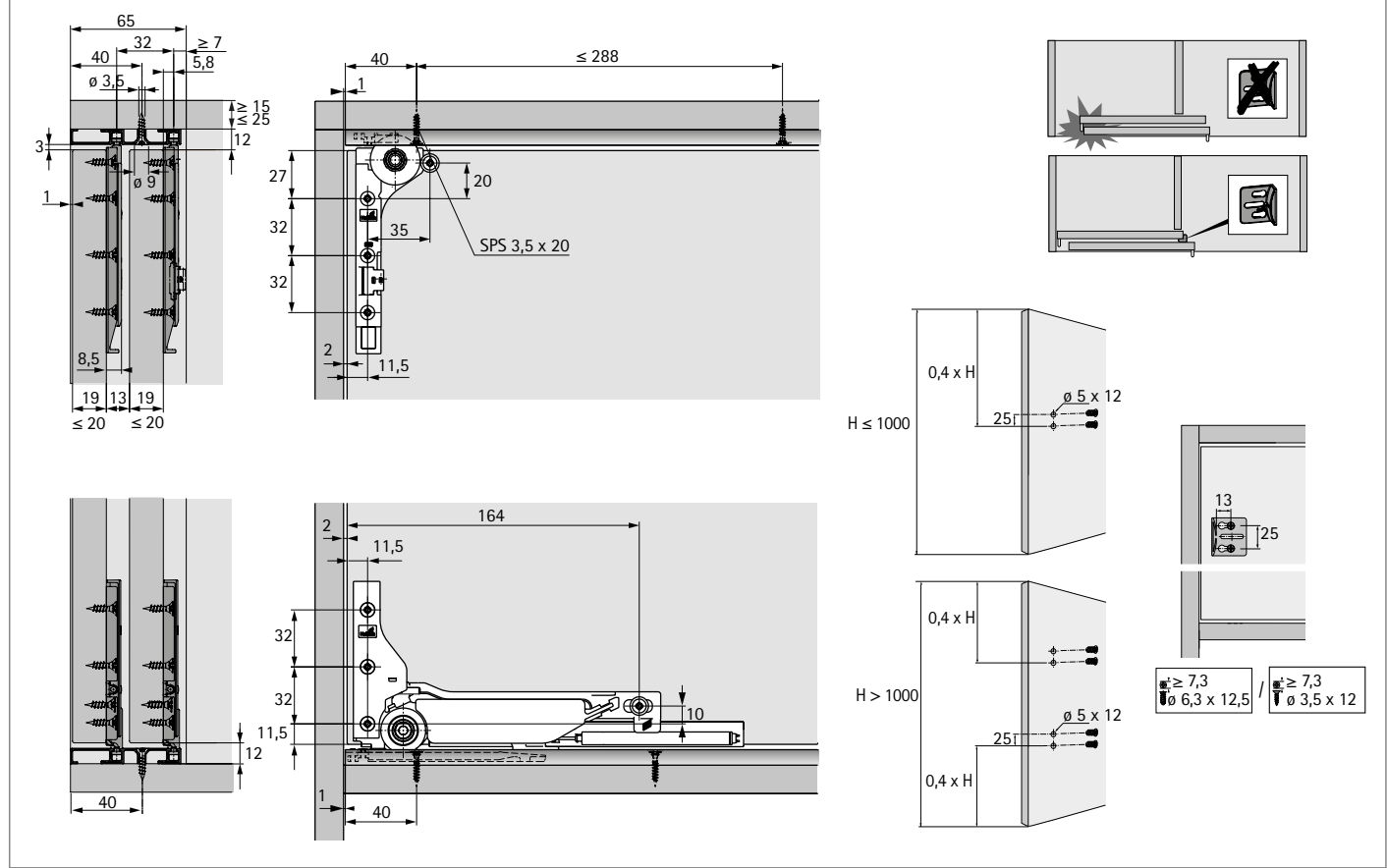
- ▶ 1 door application / spacer required for 2-door cabinet with a door height <1,000 mm
- ▶ 2 door stops / spacers are required for a 2-door with a door height >1,000 mm
- ▶ Plastic, grey

Order no.	PU
9 115 216	1/100 ea.
9 102 993	500 ea.

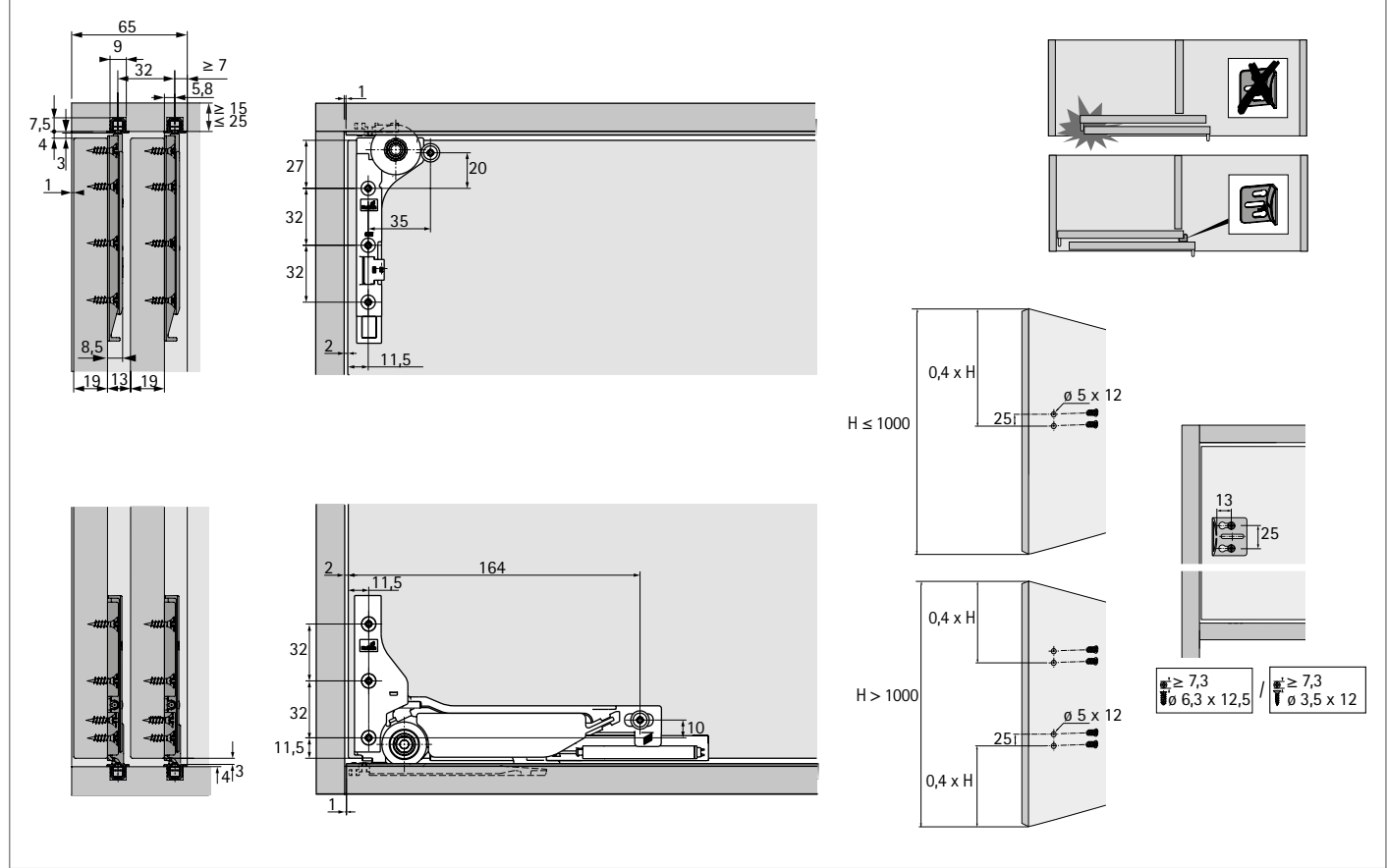
Sliding door system / bottom running

- ▶ SlideLine M / inset door position
- ▶ Planning dimensions

Installing 2-track runner profile for screwing on / sticking on



Installing 1-track runner profile for pressing in



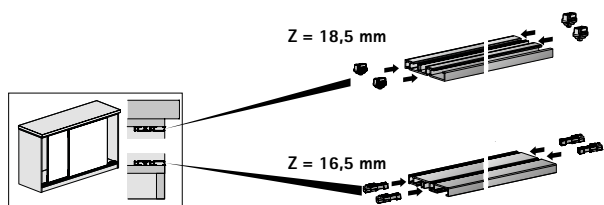
Sliding door system / bottom running

▶ SlideLine M / inset door position

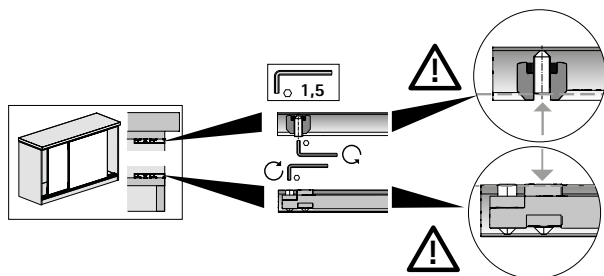
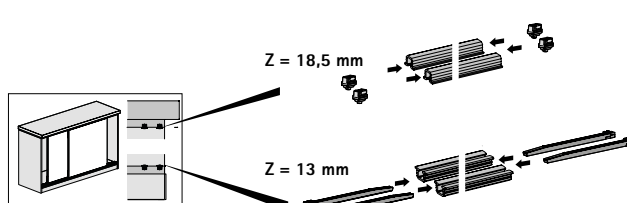
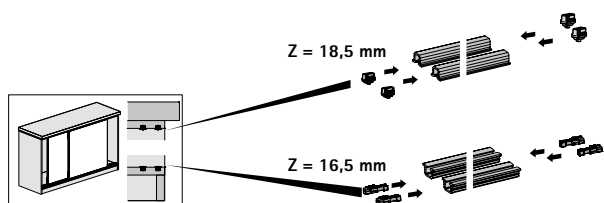
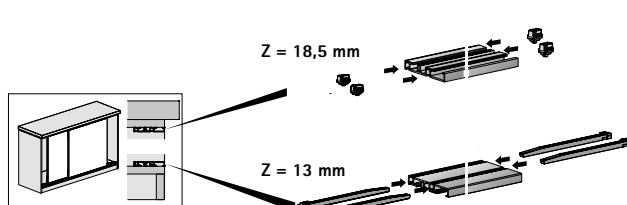
▶ Installation

Installing activators and end stops in the runner profile

Silent System:



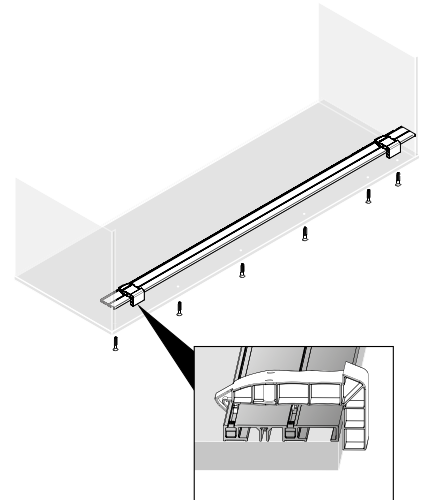
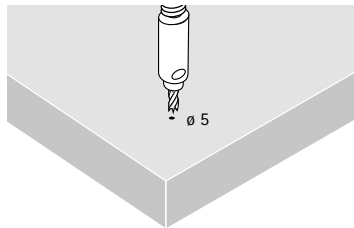
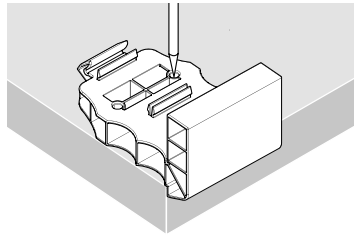
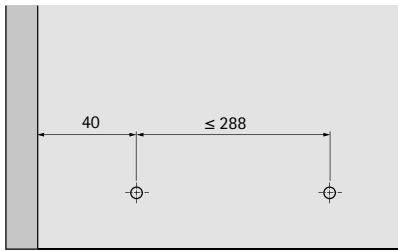
Silent System:



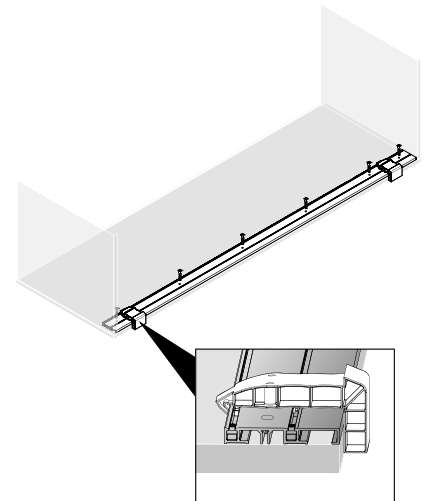
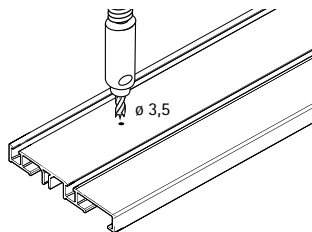
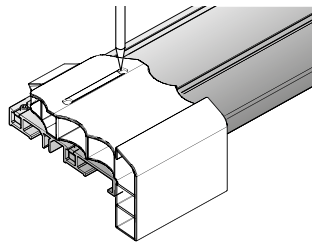
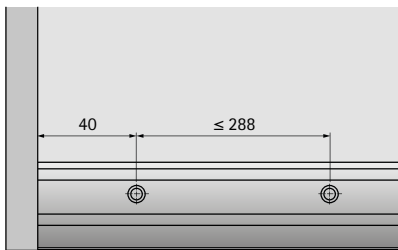
Sliding door system / bottom running

- ▶ SlideLine M / inset door position
- ▶ Installation

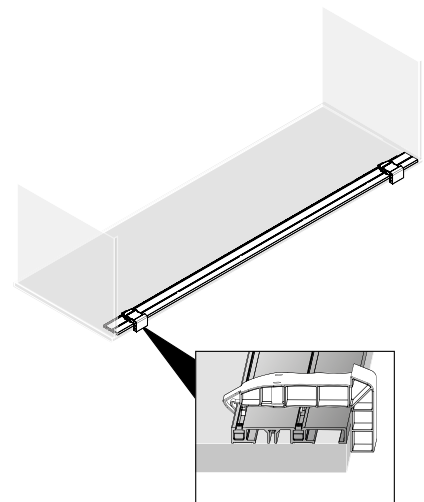
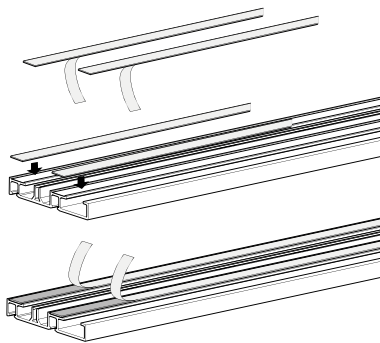
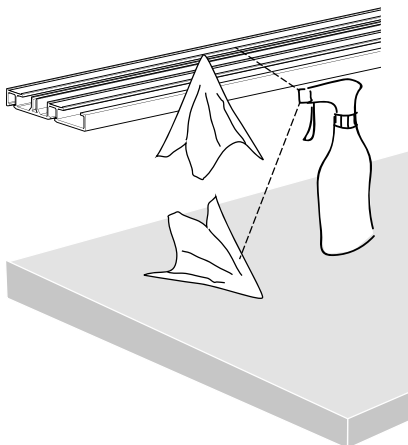
Installing 2-track runner profile for screwing on in the screw slot



Installing 2-track runner profile for screwing on



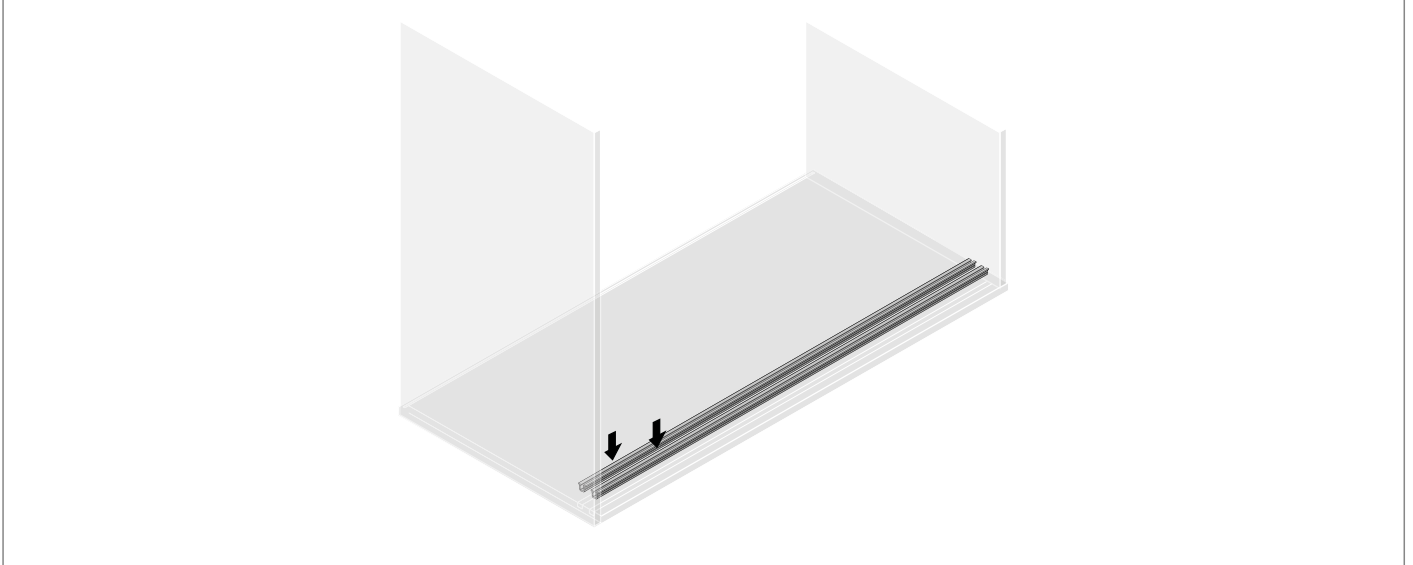
Installing 2-track runner profile for sticking on



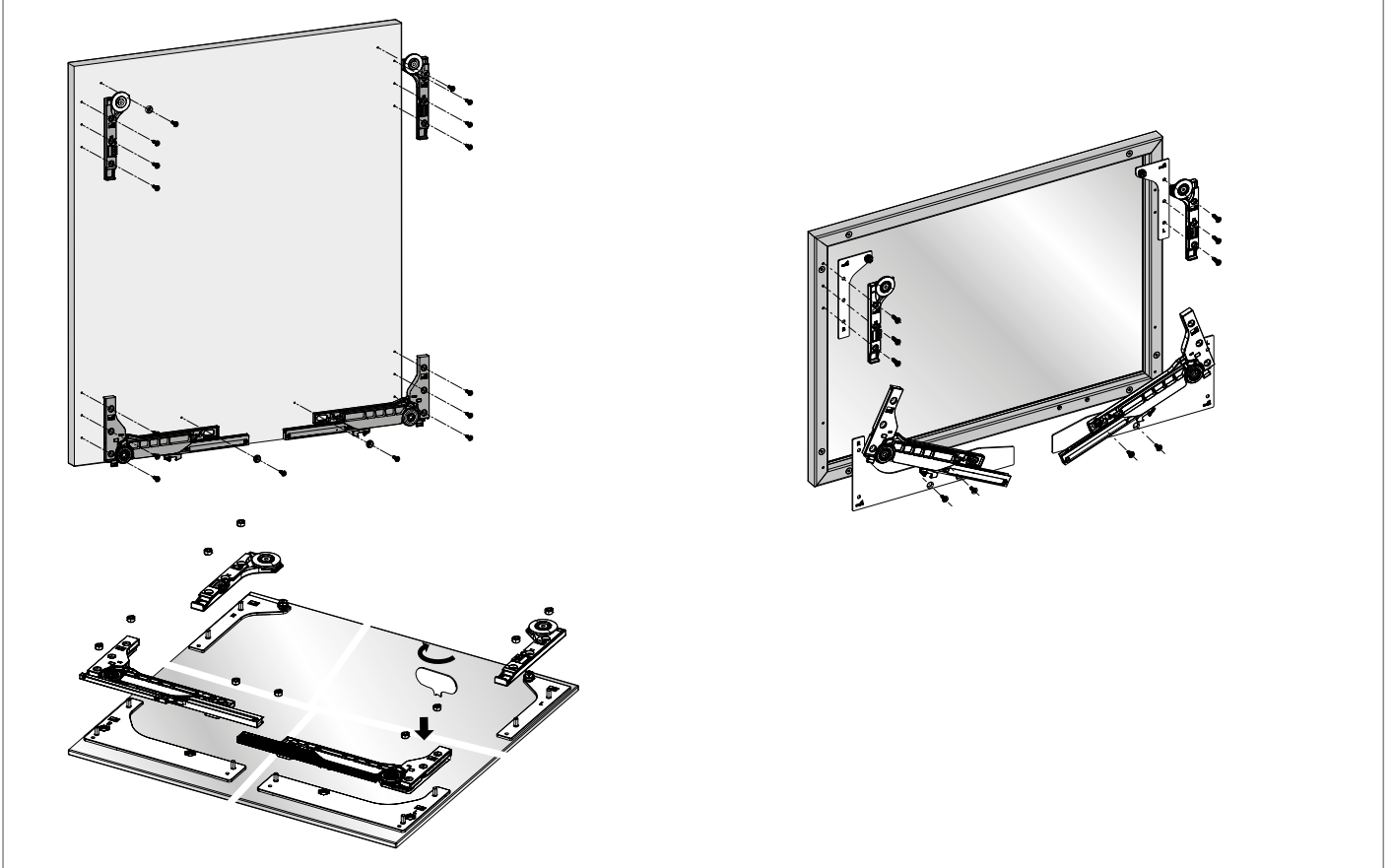
Sliding door system / bottom running

- ▶ SlideLine M / inset door position
- ▶ Installation

Installing 1-track runner profile for pressing in



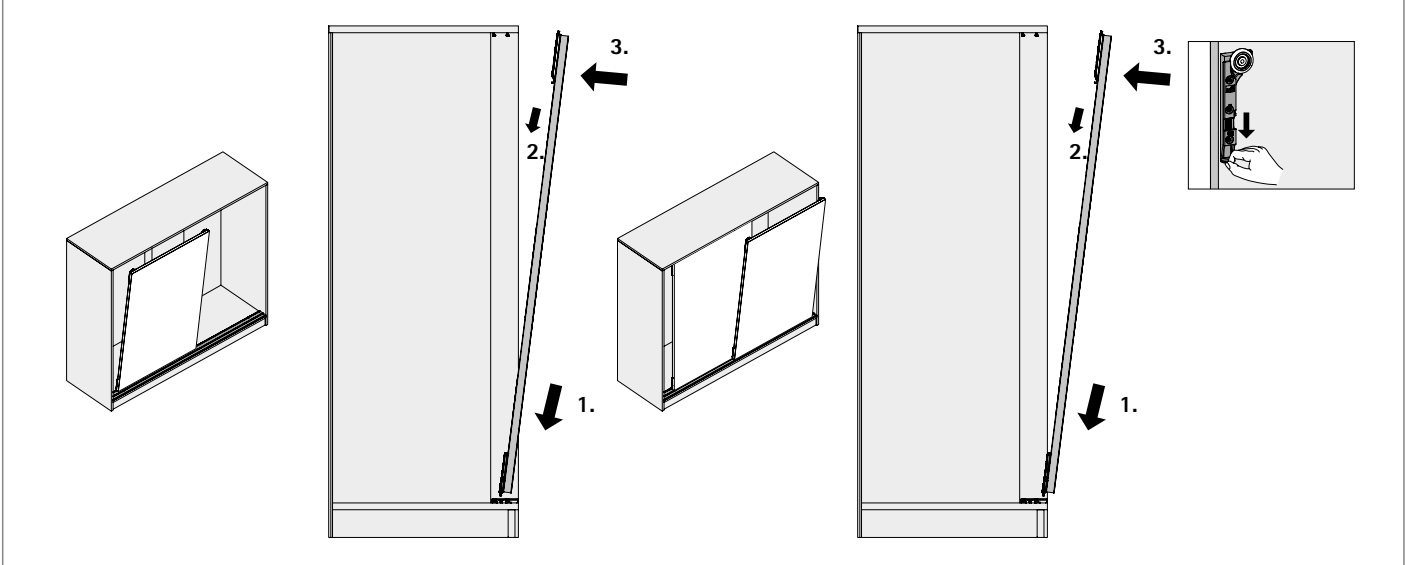
Installing the fitting and upgrade sets



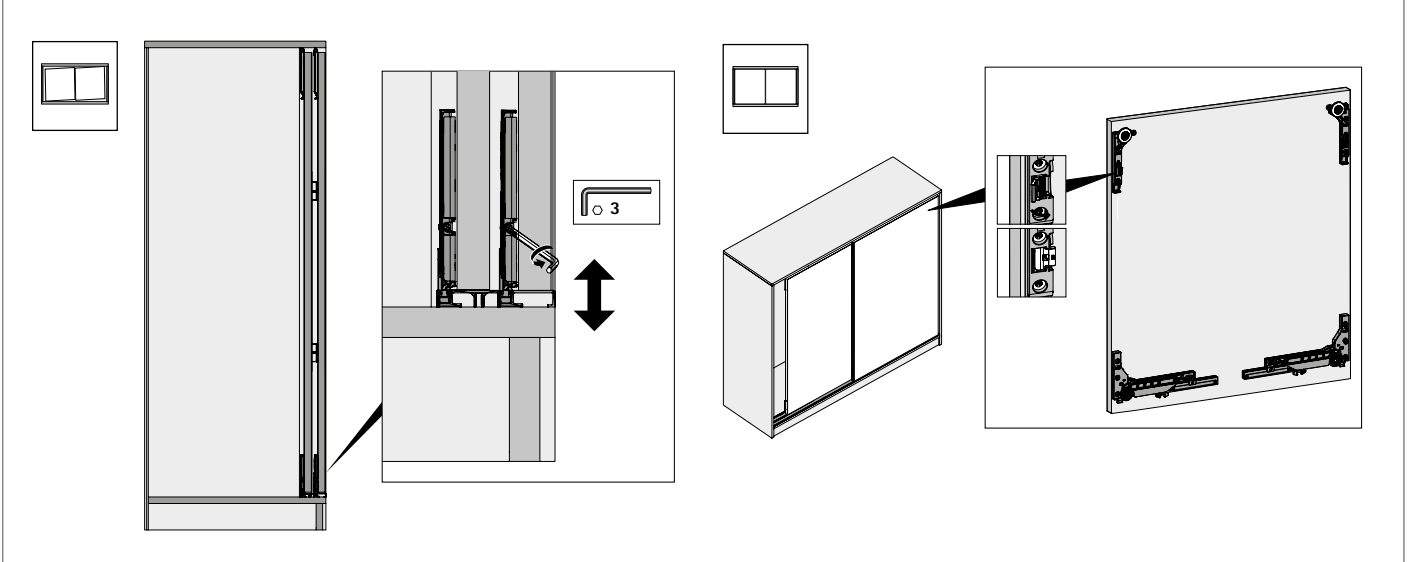
Sliding door system / bottom running

- ▶ SlideLine M / inset door position
- ▶ Installation

Installation the doors



Aligning doors



Installing spacer

