

STEELFORCE PRO

SLS Highline 90° SERIES

English

Deutsch

Nederlands

Français

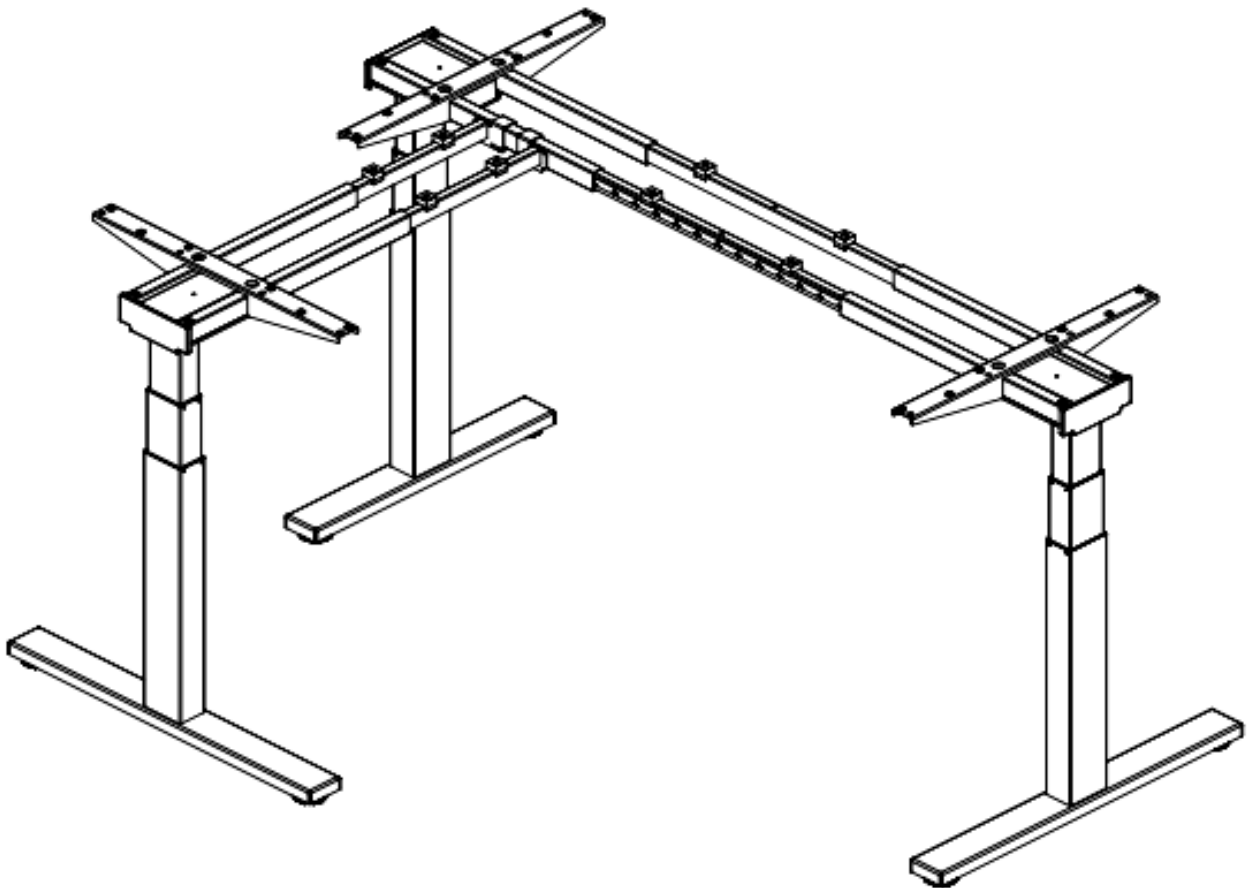


Photo shows left side mounting. /
Abbildung zeigt linksseitige Montage./
De foto toont de montage vanaf de zijkant./
La photo montre le montage à gauche.

Assembly Manual

Read this manual thoroughly and store in a safe place.

Montageanleitung

Bitte sorgfältig lesen und sicher aufbewahren.

Montagehandleiding

Lees deze handleiding aandachtig door en bewaar deze goed.

Manuel de montage

Veuillez lire attentivement ce manuel et le conserver dans un endroit sûr.

SLS-IM01 19-3EN-DE-NL-FR-HT

1	GENERAL	6
1.1	Local value of the assembly/operating manual.....	6
1.2	Intended use.....	6
1.3	Improper use.....	6
1.4	Danger.....	6
1.5	Content box.....	7-8
2	SAFETY INFORMATION	9
2.1	Symbols/Warnings.....	9
2.2	Symbols used on the workstation frame.....	9
2.3	Maximum weight allowed on frame.....	9
2.4	Maximum weight allowed per column.....	10
2.5	Organizational measures.....	10
2.6	Informal safety measures.....	10
2.7	Note for those assembling the workstation	10
2.8	Transport and assembly	10
2.9	Use of the workstation frame	10
2.10	Specific dangers.....	10
2.11	In an emergency.....	11
2.12	Maintenance and upkeep	11
2.13	Cleaning.....	11
2.14	Persistent risks	11
3	ASSEMBLY	12
3.1	Mounting the Feet.....	12
3.2	Packaging.....	12
3.3	Tightening torques for screws used	12
3.4	Pre-assembly of the Crossbars for Frame set-up for 110 cm and 120 cm.....	12
3.5	120 cm Frame Set-Up Guide.....	13
3.6	Pre-assembly of the Crossbars for Frame set-up 130 cm , 150 cm and 170 cm.....	14
3.7	Mounting the Feet.....	15
3.8	Mounting the Crossbar and Top Support	15
3.9	Mounting the Head Cover	16
3.10	Adjustment of the Frame Width	16
3.11	Pre-assembly of the Side Return Crossbars 1200mm-1400mm.....	17
3.12	Option 2 - Pre-assembly of the Side Return Crossbars 1600mm-1800mm	17
3.13	Mounting the Side Return Crossbars	18
3.14	Mounting the Locking Plate	18
3.15	Mounting the Side Return Top Support	19
3.16	Mounting the Side Return Head Cover	19
3.17	Mounting the Spacers	20
3.18	Mounting the Cable Clips	20-21
3.19	Connecting the electrical components	21
3.20	Mounting the table top	22
3.21	Mounting the power supply underneath the table top.....	22
3.22	Mounting Wire Clip	23
3.23	Clearance around the wall or moving parts 25mm of the table top.....	23
3.24	Frame test without table top	24
4	CORRECT POSITION OF SEATS	25
5	TECHNICAL SPECIFICATIONS	26-27
6	OPERATION AND INDICATORS	28
6.1	Indicators	28
7	TROUBLESHOOTING	28
8	CUSTOMER SERVICE	29
9	MANUFACTURER	29
10	RECYCLING	29
10.1	Taking the workstation out of active duty.....	29
10.2	Taking the workstation apart	29
10.3	Recycling	29
10.4	WEEE - Waste of Electrical and Electronic Equipment	29
11	EC-DECLARATION OF CONFORMITY ACCORDING TO MACHINERY DIRECTIVE 2006/42/EC,ANNEX II A	30

1	ALLGEMEINES	31
1.1	Stellenwert der Montage-/Bedienungsanleitung	31
1.2	Verwendungszweck	31
1.3	Unsachgemäße Verwendung	31
1.4	Gefahr.....	31
1.5	Lieferumfang	32-33
2	SICHERHEITSHINWEISE	34
2.1	Symbol- und Hinweiserklärungen	34
2.2	Verwendete Symbole am Tischgestell.....	34
2.3	Zulässiges Gesamtgewicht auf dem Tischgestell.....	34
2.4	Zulässiges Gesamtgewicht pro Säule	35
2.5	Organisatorische Maßnahmen.....	35
2.6	Empfohlene Sicherheitsmaßnahmen	35
2.7	Hinweise zur Montage	35
2.8	Transport und Montage	35
2.9	Verwendung des Tischgestells.....	35
2.10	Besondere Gefahrenstellen	35
2.11	Hinweise für den Notfall.....	36
2.12	Wartung und Instandhaltung	36
2.13	Reinigung	36
2.14	Restrisiken.....	36
3	MONTAGE	37
3.1	Überprüfung des Lieferumfangs.....	37
3.2	Verpackung	37
3.3	Hinweis zum Verschrauben der Beschläge	37
3.4	Vormontage der Traversen für 110 cm und 120 cm.....	37
3.5	Einstellung der Traversen auf 120 cm.....	38
3.6	Vormontage der Traversen für 130 cm, 150 cm und 170 cm	39
3.7	Montage der Kufen.....	40
3.8	Montage der Traverse und Plattenträger	40
3.9	Montage der abdekkap	41
3.10	Einstellen der Gestellbreite	41
3.11	Vormontage der Traversen des angewinkelten Teils 1200–1400 mm.....	42
3.12	Optional 2 - Vormontage der Traversen des angewinkelten Teils 1600 – 1800 mm.....	42
3.13	Montage der Traverse des angewinkelten Teils.....	43
3.14	Montage des Halblechs.....	43
3.15	Montage der Plattenträger des angewinkelten Teils	44
3.16	Montage der abdekkap des angewinkelten Teils	44
3.17	Montage des Abstandhalters	45
3.18	Montage der Kabelhalterungen	45-46
3.19	Anschließen der elektrischen Bauteile	46
3.20	Montage der Tischplatte	47
3.21	Montage der Steuerung unter der Tischplatte.....	47
3.22	Montage der Kabelclip	48
3.23	Sicherheitsabstand zur Wand oder beweglichen Teilen von 25 mm um die Tischplatte	48
3.24	Funktionstest ohne Tischplatte	49
4	ERGONOMISCHE SITZEINSTELLUNG	50
5	TECHNISCHE DATEN	51-52
6	BETRIEBSHINWEISE	53
6.1	Fehlfunktionen.....	53
7	FEHLERBEHEBUNG	53
8	KUNDENDIENST	54
9	HERSTELLER	54
10	ENTSORGUNG	54
10.1	Außerbetriebnahme des Tischgestells.....	54
10.2	Demontage des Tischgestells	54
10.3	Recycling	54
10.4	WEEE - Elektro und Elektronikgeräte-Abfall	54
11	EG-KONFORMITÄTSERKLÄRUNG NACH MASCHINENRICHTLINIE 2006/42/EG, ANHANG II A	55

1	ALGEMEEN	56
1.1	Waarde van de montage- en gebruikershandleiding.....	56
1.2	Beoogd gebruik.....	56
1.3	Onjuist gebruik.....	56
1.4	Gevaar.....	56
1.5	Inhoud verpakking.....	57-58
2	VEILIGHEIDSINSTRUCTIES	59
2.1	Verklaring van symbolen en instructies.....	59
2.2	Gebruikte symbolen op het frame.....	59
2.3	Maximaal toegestaan gewicht op het frame.....	59
2.4	Maximaal toegestaan gewicht per kolom.....	60
2.5	Organisatorische maatregelen.....	60
2.6	Informele veiligheidsmaatregelen.....	60
2.7	Vereisten aan de monteurs.....	60
2.8	Transport en montage.....	60
2.9	Gebruik van het frame.....	60
2.10	Specifieke gevaren.....	60
2.11	Instructies voor noodgevallen.....	61
2.12	Onderhoud en instandhouding.....	61
2.13	Reiniging.....	61
2.14	Overige risico's.....	61
3	MONTAGE	62
3.1	Controleren op volledigheid van levering.....	62
3.2	Verpakking en verwijdering.....	62
3.3	Draaimomenten van de gebruikte schroeven.....	62
3.4	Voormontage van de crossbar voor 110 cm en 120 cm.....	62
3.5	120cm Frame instelling.....	63
3.6	Voormontage van de crossbar voor 130 cm, 150 cm en 170 cm.....	64
3.7	Montage van de voeten.....	65
3.8	Montage van de crossbar en bladdrager.....	65
3.9	Montage van de afdekkap.....	66
3.10	Instellen van de frame-breedte.....	66
3.11	Voormontage Crossbars zij-unit 1200mm-1400mm.....	67
3.12	Optional 2 - Vormontage der Traversen des angewinkelten Teils 1600- 1800 mm.....	67
3.13	Montage van de zij-unit Crossbars.....	68
3.14	Montage van de Locking Plate.....	68
3.15	Montage van de zij-unit bladragers.....	69
3.16	Montage van de zij-unit afdekkap.....	69
3.17	Montage van de afstandhouders.....	70
3.18	Montage van de kabelbinders.....	70-71
3.19	Aansluiten van de elektrische componenten.....	71
3.20	Montage van het werkblad.....	72
3.21	Montage van de handbediening.....	72
3.22	Montage van de kabelclips.....	73
3.23	Afstand van 25 mm tussen de muur of andere objecten en het werkblad.....	73
3.24	Frame test zonder werkblad.....	74
4	CORRECTE ZITPOSITIE	75
5	TECHNISCHE SPECIFICATIES	76-77
6	BEDIENING EN GEBRUIKSAANWIJZINGEN	78
6.1	Gebruiksaanwijzingen.....	78
7	PROBLEEMOPLOSSINGEN	78
8	KLANTENSERVICE	79
9	FABRIKANT	79
10	RECYCLING	79
10.1	Buitenbedrijfstelling van het frame.....	79
10.2	Demontage van het frame.....	79
10.3	Recycling.....	79
10.4	AEEA - Afgedankte Elektrische en Elektronische Apparatuur.....	79
11	EU-VERKLARING VAN OVEREENSTEMMING VOLGENS MACHINERICHTLIJN 2006/42/EG, BIJLAGE II A	80

1	GÉNÉRALITÉS	81
1.1	Valeur locale du manuel de montage/d'utilisation	81
1.2	Usage prévu	81
1.3	Mauvaise utilisation	81
1.4	Danger	81
1.5	Contenu de la boîte	82-83
2	INFORMATIONS RELATIVES À LA SÉCURITÉ	84
2.1	Symboles/avertissements	84
2.2	Symboles utilisés sur le cadre de poste de travail	84
2.3	Poids maximum autorisé sur le cadre	84
2.4	Poids maximum autorisé par colonne	85
2.5	Mesures d'organisation	85
2.6	Mesures de sécurité informelles	85
2.7	Note pour les personnes qui montent le poste de travail	85
2.8	Transport et montage	85
2.9	Utilisation du cadre du poste de travail	85
2.10	Dangers spécifiques	85
2.11	En cas d'urgence	86
2.12	Maintenance et entretien	86
2.13	Nettoyage	86
2.14	Risques persistants	86
3	MONTAGE	87
3.1	Montage des pieds	87
3.2	Emballage	87
3.3	Couples de serrage des vis utilisées	87
3.4	Prémontage des barres transversales pour la mise en place du cadre pour 110 cm et 120 cm	87
3.5	Guide de mise en place du cadre 120 cm	88
3.6	Prémontage des barres transversales pour la mise en place du cadre pour 130 cm, 150 cm et 170 cm	89
3.7	Montage des pieds	90
3.8	Montage de la barre transversale et du support supérieur	90
3.9	Montage du couvercle	91
3.10	Réglage de la largeur du cadre	91
3.11	Prémontage des barres transversales de retour latéral de 1200 mm-1400 mm	92
3.12	Option 2 - Prémontage des barres transversales de retour latéral de 1600 mm-1800 mm	92
3.13	Montage des barres transversales de retour latéral	93
3.14	Montage des plaques de verrouillage	93
3.15	Montage du support supérieur de retour latéral	94
3.16	Montage du couvercle de retour latéral	94
3.17	Montage des espaceurs	95
3.18	Montage des clips de câble	95-96
3.19	Connexion des composants électriques	96
3.20	Montage du plateau	97
3.21	Montage de l'alimentation électrique sous le plateau	97
3.22	Montage du clips de câble	98
3.23	Espace autour du mur et des pièces mobiles à 25 mm du tableau	98
3.24	Essai du cadre sans plateau	99
4	POSITION CORRECTE DES SIÈGES	100
5	SPÉCIFICATIONS TECHNIQUES	101-102
6	FONCTIONNEMENT ET INDICATEURS	103
6.1	Indicateurs	103
7	DÉPANNAGE	103
8	SERVICE CLIENTÈLE	104
9	FABRICANT	104
10	RECYCLAGE	104
10.1	Désactivation du poste de travail	104
10.2	Démontage du poste de travail	104
10.3	Recyclage	104
10.4	WEEE - Déchets d'équipements électriques et électroniques	104
11	DÉCLARATION DE CONFORMITÉ CE AU SENS DE LA DIRECTIVE MACHINE 2006/42/CE, ANNEXE II A	105

1 General

1.1 Local value of the assembly/Operating Manual

The guiding principle for safe use and trouble-free operation of this workstation frame is knowledge of basic safety information and regulations. This assembly/operating manual contains the most important information needed for assembling and operating the workstation frame safely. This assembly/operating manual, in particular the safety information contained herein, must be observed by any person building the frame and working on the finished surface. More importantly, the rules and regulations applying to accident prevention in the locality in which the workstation frame is to be used must be observed at all times.

1.2 Intended use

The workstation frame must be used only as a height-adjustable workstation for sitting/standing use in offices or other enclosed areas. The frame must be used for this purpose only. Any other use than the above shall be deemed improper. The manufacturer can in no way be held liable for damage arising from improper use. This appliance can be used by children aged from 8 years and above and persons with reduced physical, sensory or mental capabilities or lack of experience and knowledge if they have been given supervision or instruction concerning use of the appliance in a safe way and understand the hazards involved. Children should be supervised to ensure that they do not play with the appliance, cleaning and user maintenance shall not be made by children without supervision.

Intended use shall also include:

- Observation of all information from the assembly/operating manual and
- Prohibition of any sort of addition to/conversion of the workstation.

1.3 Improper use

- Never use the workstation frame to lift people or loads.
- Do not exceed the maximum load of the workstation frame.
- Operate workstation only with power supply unit which is included in delivery.

1.4 Danger

Improper connection of the workstation frame grounding conductor can result in a risk of electric shock. Check with a qualified electrician if you are in doubt as to whether the product is properly grounded. Do not modify the plug provided with the product.

If the supply cord is damaged, it must be replaced by a special cord or assembly available from the manufacturer or its service agent.

WARNING: Any changes or modifications not expressly approved by the manufacturer could void the user's authority to operate the equipment

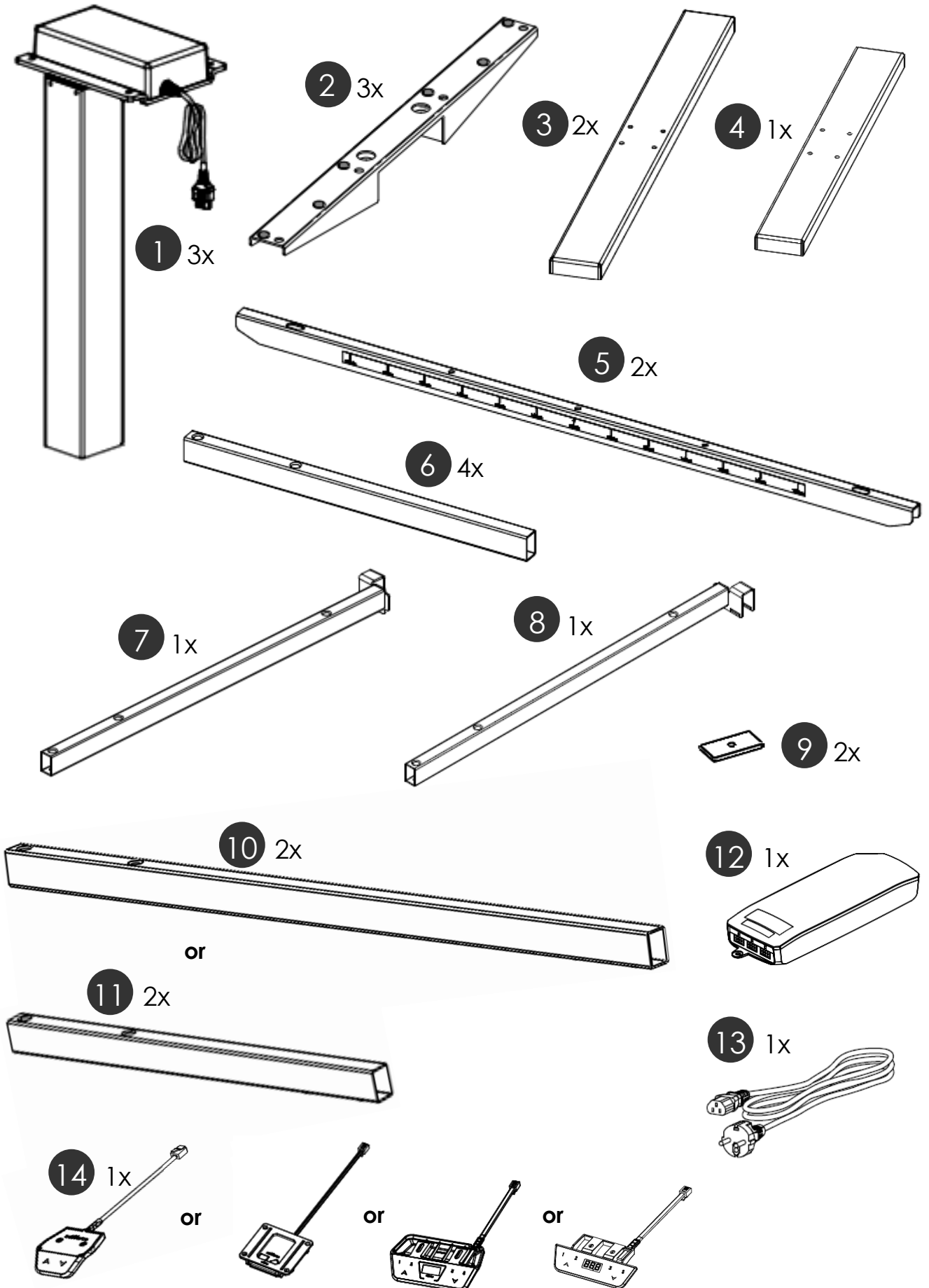
1.5 Content Box

English



Assembly requires 2 people!

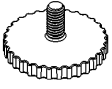
Items



Mounting Hardware Kit

English

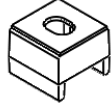
A 6x



B 2x



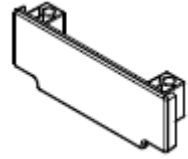
C 8x



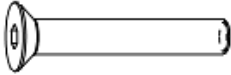
D 8x



E 3x

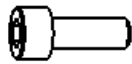


F 12x



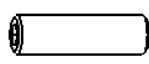
M8x50

G 12x



M6x16

H 12x



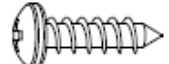
M10x35

I 4x
6x



4.5x20

J 2x



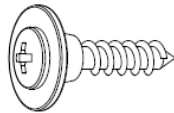
4.5x16

K 2x



M6x8

L 18x



4.5x20

M 8x



4x30



Tools




2 Safety Information

2.1 Symbols/Warnings


The assembly/operating manual uses the following terms and signs to indicate dangers:

	<p>This symbol indicates an immediate threatening situation for any person's life or health. Failure to adhere to such information may have serious consequences for health, or could even result in life-threatening injury or death.</p>
	<p>This symbol indicates important information. Failure to adhere to such information could lead to damage to the workstation.</p>

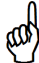
2.2 Symbols used on the workstation frame

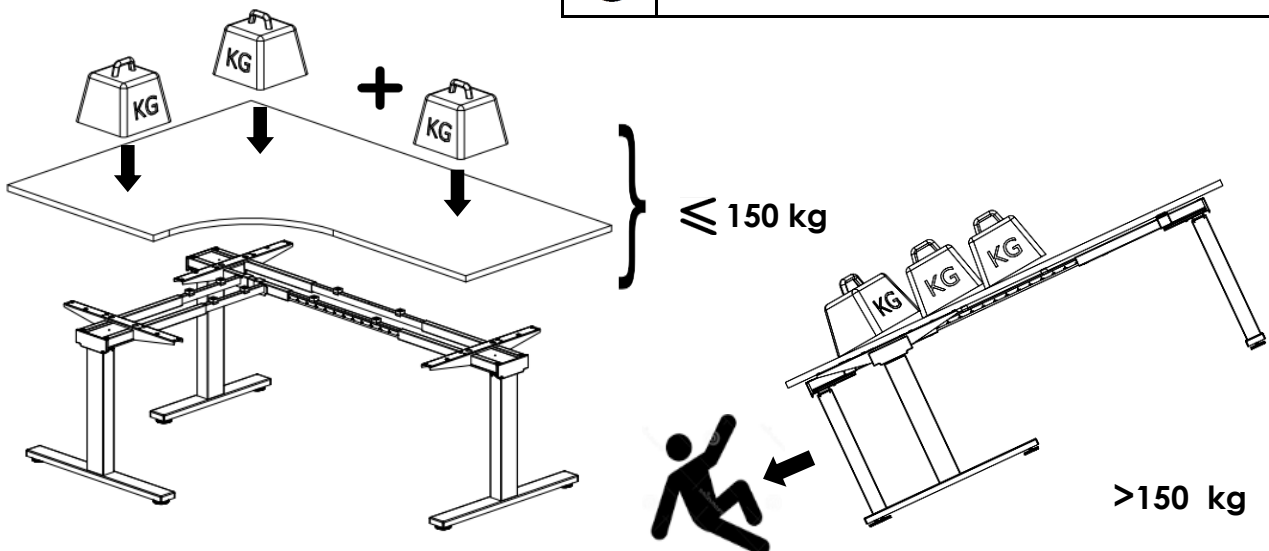
	<p>Do not place objects or parts of the body under the workstation frame or between the cross members. This could cause serious injury or even result in death.</p>
-----------------------------------------------------------------------------------	---------------------------------------------------------------------------------------------------------------------------------------------------------------------

2.3 Maximum weight allowed on frame

	<p>Do not exceed the maximum permitted load of 150 kg (including table top) on the workstation frame. Avoid unbalanced load, distribute the weight evenly, otherwise overload may occur. Overloading a frame may cause breakage and close by individuals may suffer serious injuries as a consequence.</p>
-----------------------------------------------------------------------------------	------------------------------------------------------------------------------------------------------------------------------------------------------------------------------------------------------------------------------------------------------------------------------------------------------------

Example

	<p>All weight should be distributed evenly.</p>
-------------------------------------------------------------------------------------	-------------------------------------------------

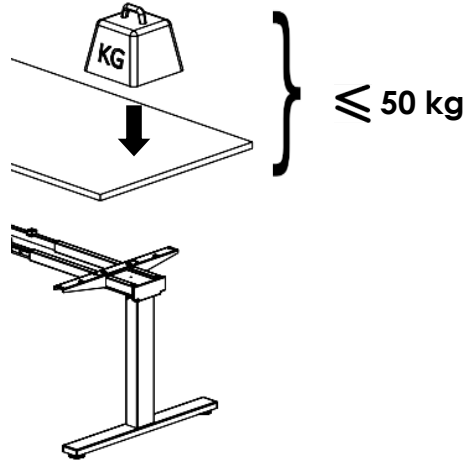


2.4 Maximum weight allowed per column

English



Do not exceed the maximum permitted load of 50 kg (including tabletop) on a column. Overloading a frame may cause breakage and close by individuals may suffer serious injuries as a consequence.



2.5 Organizational measures

- The workstation frame can best be assembled by two people. Turning the frame, once the work surface has been fitted, is a task in particular which requires two people!

2.6 Informal safety measures

- Keep the assembly/operating manual in the place where the workstation frame is used at all times.
- Make sure that all safety information on the table (see Section 2.2, Symbols used on the workstation frame) is legible, replacing the same if necessary.

2.7 Note for those assembling the workstation

- The workstation must be assembled/worked on by persons over the age of 16.
- The persons referred to above must have read and understood the assembly/operating manual.

2.8 Transport and assembly

- The workstation frame must be moved by two persons only, and in such cases must be retracted.
- Do not drag or pull the workstation frame over the floor.
- Assemble the workstation frame with the supplied tools only.

2.9 Use of the workstation frame

- Do not allow children to use the workstation frame unsupervised. Children may be unaware of the dangers presented by the workstation frame. They would be in serious danger of injuring themselves, possibly even with fatal consequences. Further adjustment must then be impossible as a safeguard against use by children.
- The workstation frame must only be used in appropriate areas.
- Do not use the workstation frame on an uneven surface. In such conditions it will not be steady.
- Never exceed the maximum load on the workstation frame.

2.10 Specific dangers

- When adjusting the height of the frame there is danger of injury. Make sure that there is no-one else in the immediate surroundings of the frame.
- When assembling the workstation frame, make sure there is ample space to avoid collisions (i.e. inclination of roof, fixed objects, filing cabinets, waste-paper bins etc.) in all imaginable directions.
- Make sure there is ample space to avoid collisions if there are objects on the work surface such as computers or computer peripherals.
- Make sure there is clearance of at least 25 mm from all other furniture, all around the workstation frame.

2.11 In an emergency

- Stop using the workstation frame at once if you notice anything unusual (strange sounds etc.).
- Have the workstation frame repaired by specialists. Refrain from using the workstation frame until it has been successfully repaired.

2.12 Maintenance and upkeep

- The workstation frame and its components are low-maintenance items and need no special regular maintenance.
- Do not perform any repairs on the work surface or other components yourself.
- Do not alter the construction of the work surface or its frame.
- Any faulty components removed must be replaced with new, original components from the manufacturer. Use only original replacement parts made by the manufacturer. Have any such work carried out by a specialist, making reference to this Assembly/operating manual.

2.13 Cleaning

- Always unplug this workstation from the electrical outlet before cleaning.
- Dust the workstation frame once a week with a dry cloth.
- Clean the workstation frame with a damp cloth and a weak solution of cleaner once a fortnight.

2.14 Persistent risks

This workstation frame has been built to the state of the art and to recognized safety regulations. Nonetheless, its use may constitute a risk to the health and safety of users or third parties, damage to the workstation frame or to other items. The workstation frame must be used only:

- for the purpose for which it was intended.
- if it is completely safe to do so.

3 Assembly

English



Before attempting assembly, read the safety information in Section 2.

3.1 Checking the items supplied

- Carefully open the cardboard packaging.
- In doing so, do not use any long knife blades. They may damage the components inside.
- Check the parts supplied against the list in Section 1.6 Content box.
- Do not attempt to assemble the workstation frame if there is any damage or if there are any incorrect components.

3.2 Packaging

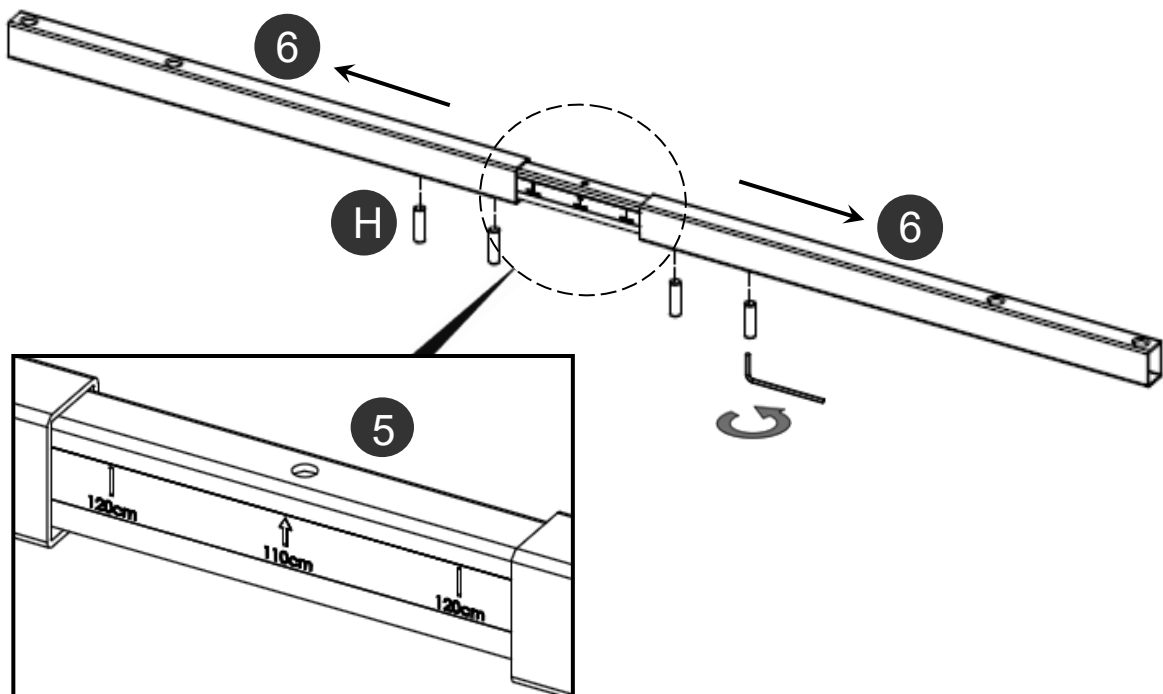
- Remove the packaging. Treat as household waste/paper.
- Observe national legislation.


3.3 Tightening torques for screws used



- Assemble the workstation frame with the tools supplied only.

3.4 Pre-assembly of the Crossbars for Frame set-up for 110 cm and 120 cm

Recommended Top Sizes			
Frame set-up	Width / size table top	Depth / size table top	Table Top Thickness
110 cm	120 cm	80 cm	2.5 cm
120 cm	130 cm	80 cm	2.5 cm



 Adjust the frame into the desired width. Tighten the set screws on the crossbar with Allen key M5.

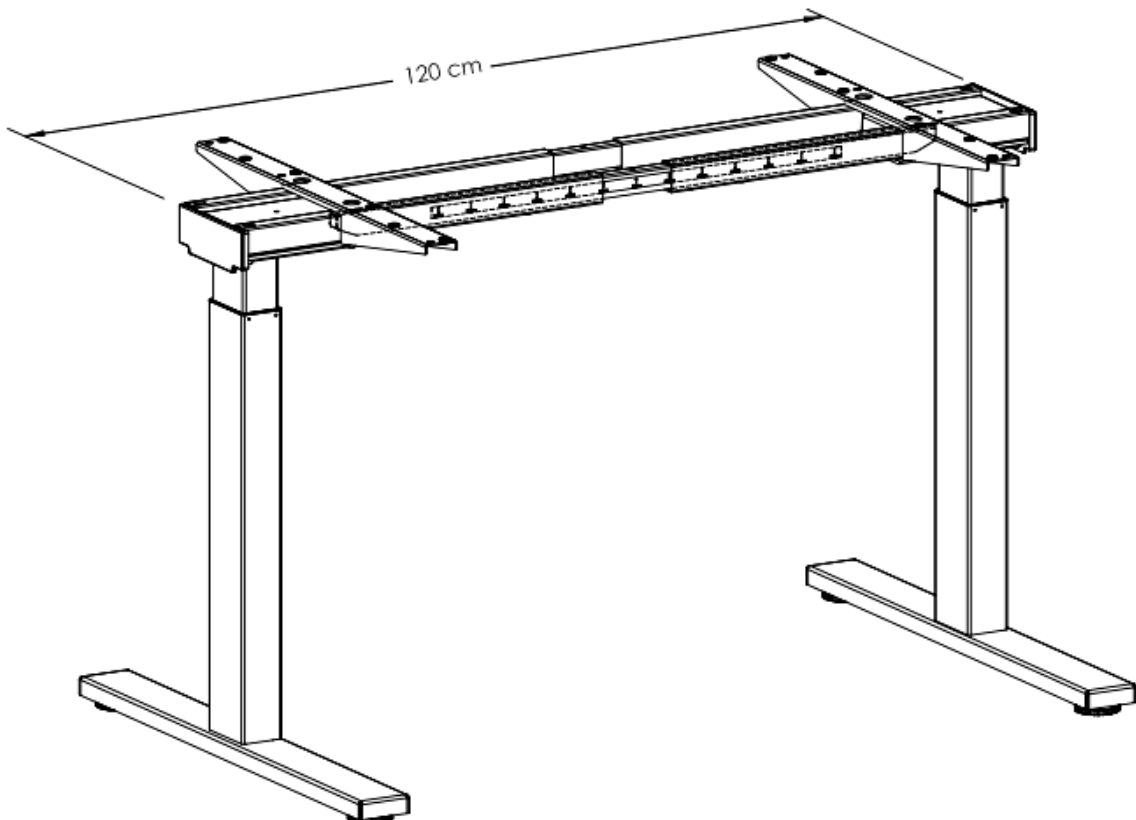
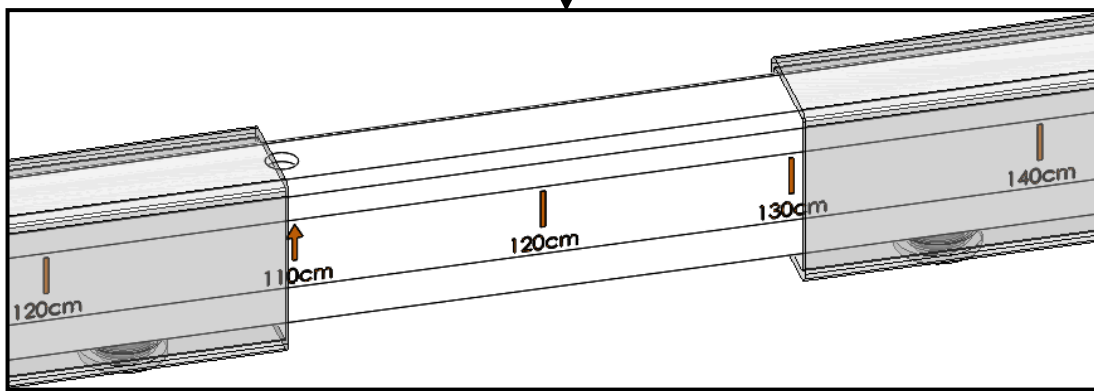
  Maximum Screw Torque : 10N-m

3.5 120 cm Frame Set-Up Guide

English

 120 cm Frame set-up - offset the inner crossbar to 110 cm and 130 cm as shown in diagram below.

 2

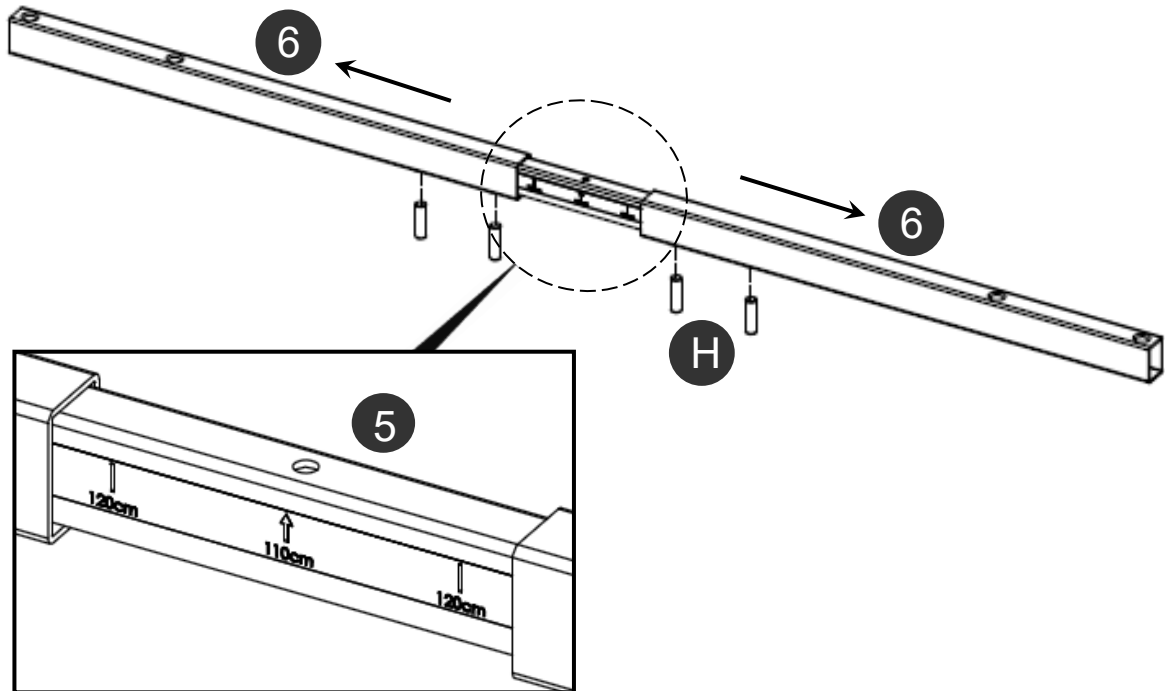


3.6 Pre-assembly of the Crossbars for Frame set-up 130 cm , 150 cm and 170 cm

English

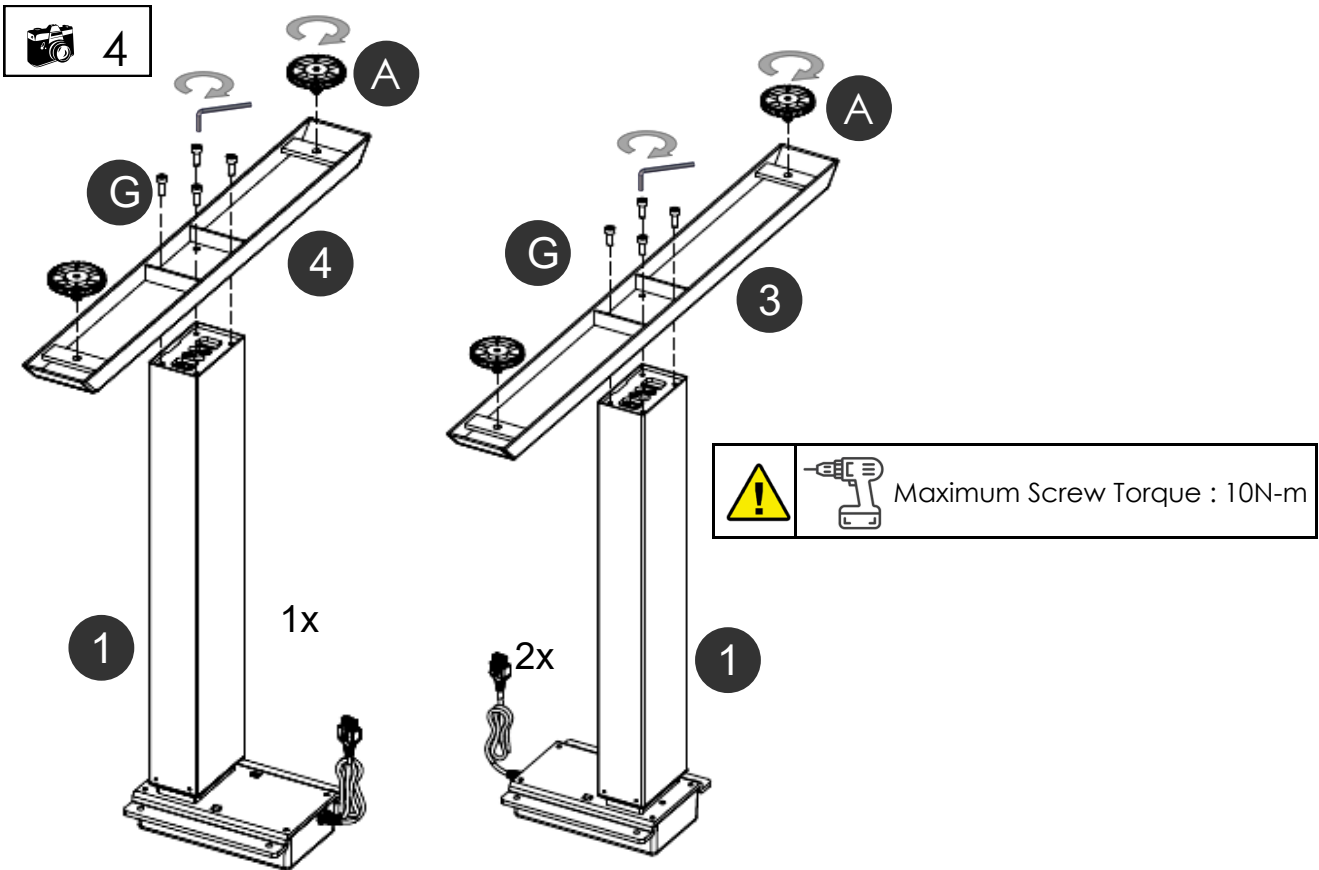
Recommended Top Sizes

Frame set-up	Width / size table top	Depth / size table top	Table Top Thickness
130 cm	140 cm	80 cm	2.5 cm
150 cm	160 cm	80 cm	2.5 cm
170 cm	180 cm	80 cm	2.5 cm

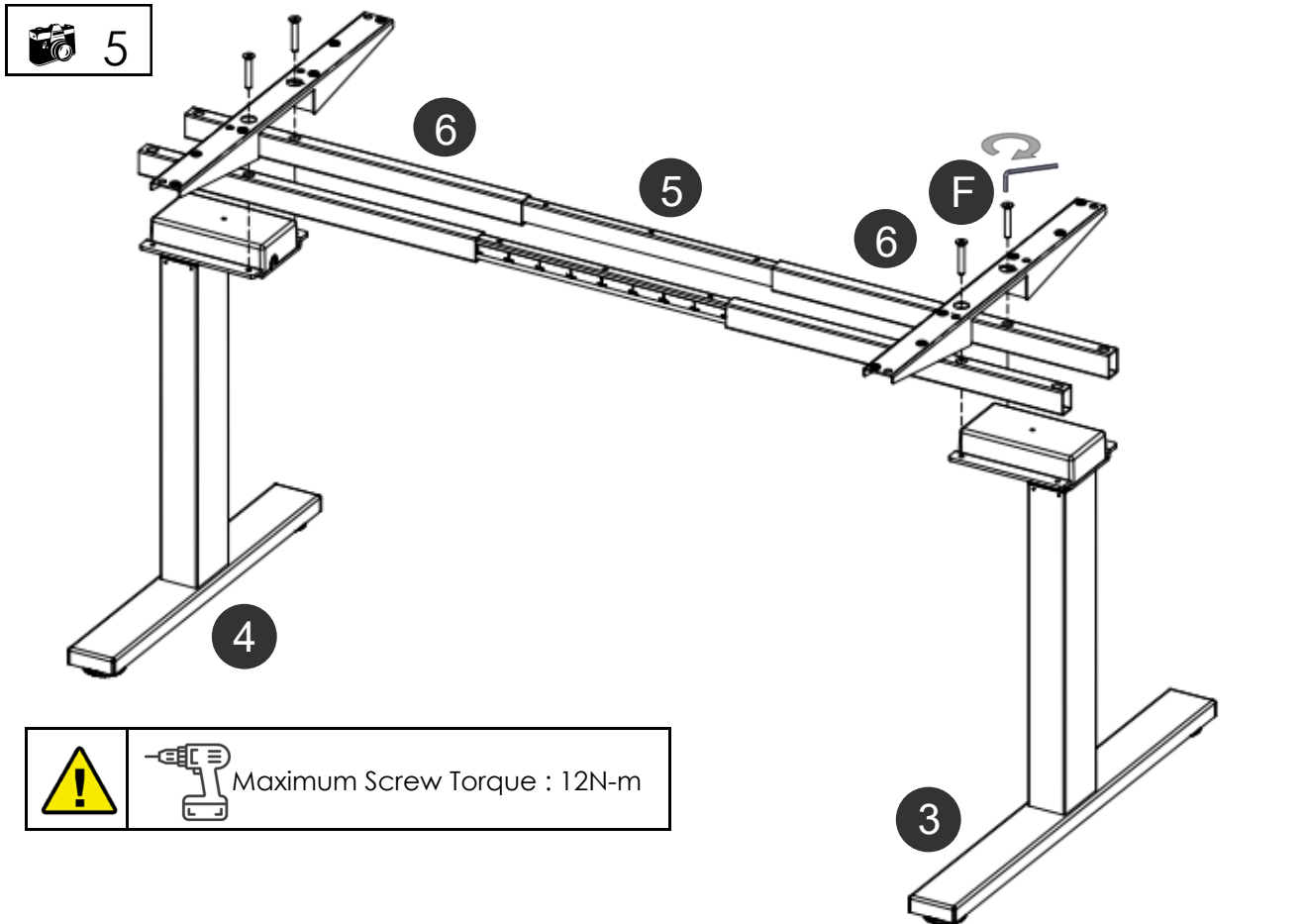


Do not yet tighten the set screws on the crossbars!

3.7 Mounting the Feet



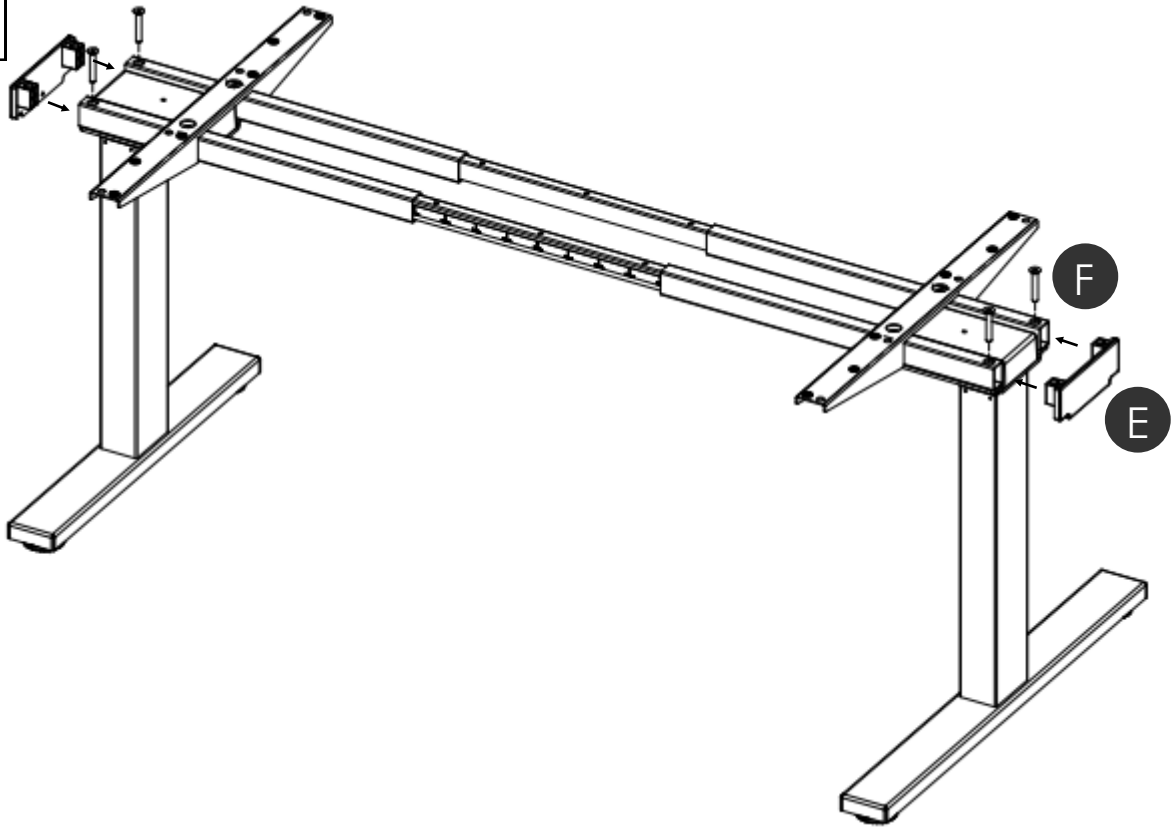
3.8 Mounting the Crossbar and Top Support



3.9 Mounting the Head Cover

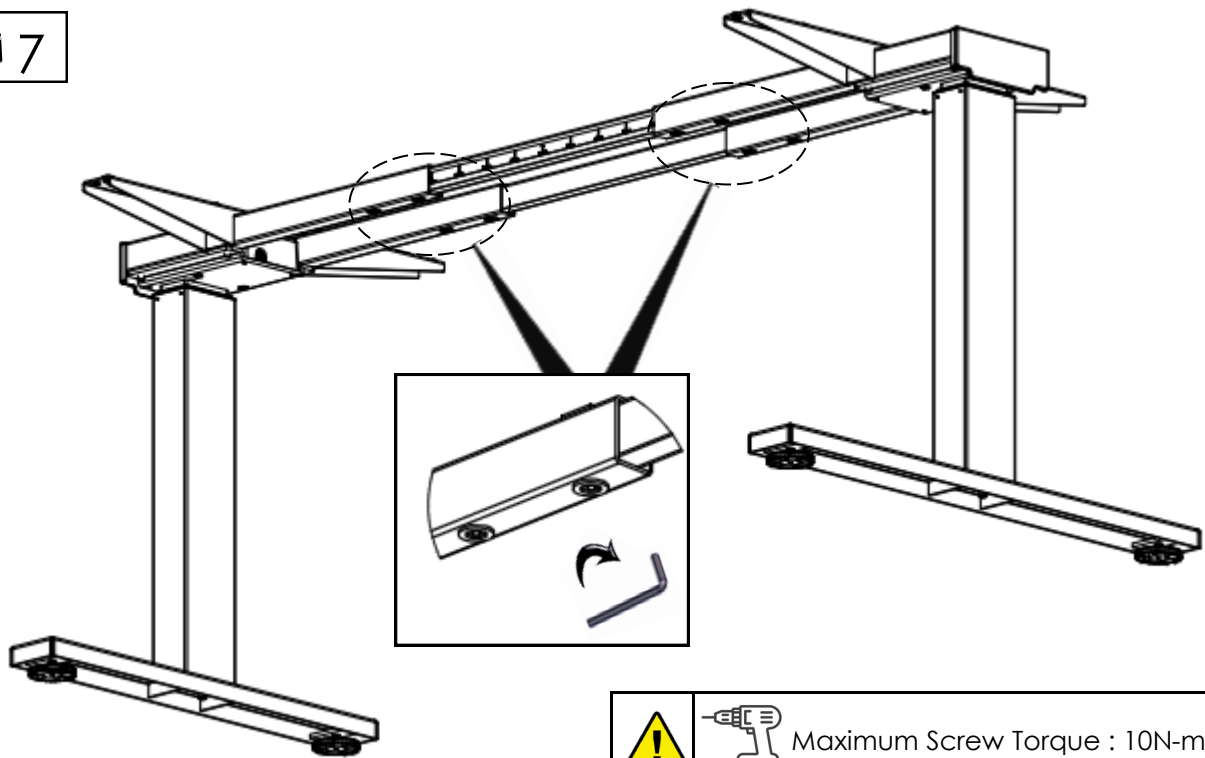
English



6



3.10 Adjustment of the Frame Width

7



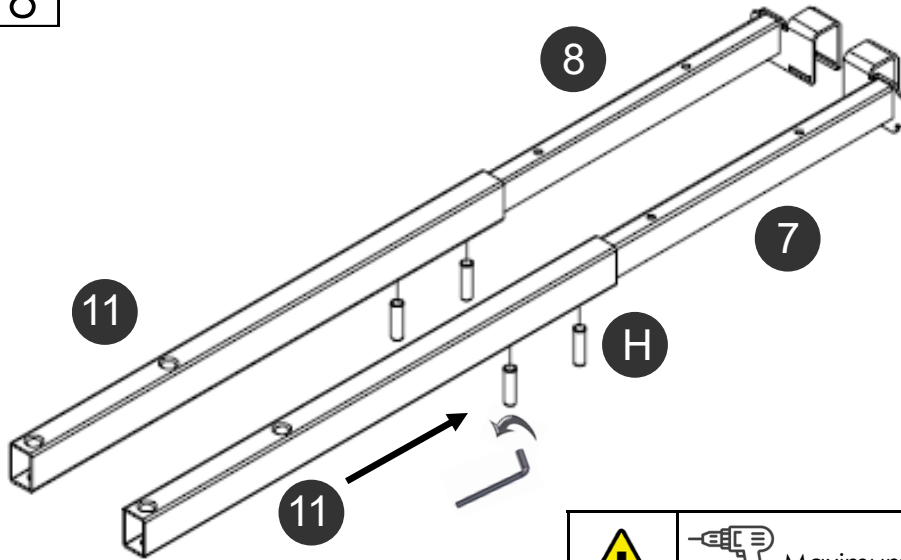
  Maximum Screw Torque : 10N-m

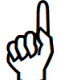


Adjust the frame into the desired width. Tighten the set screws on the crossbar with Allen key M5.

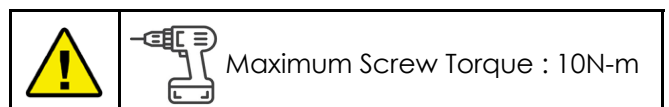
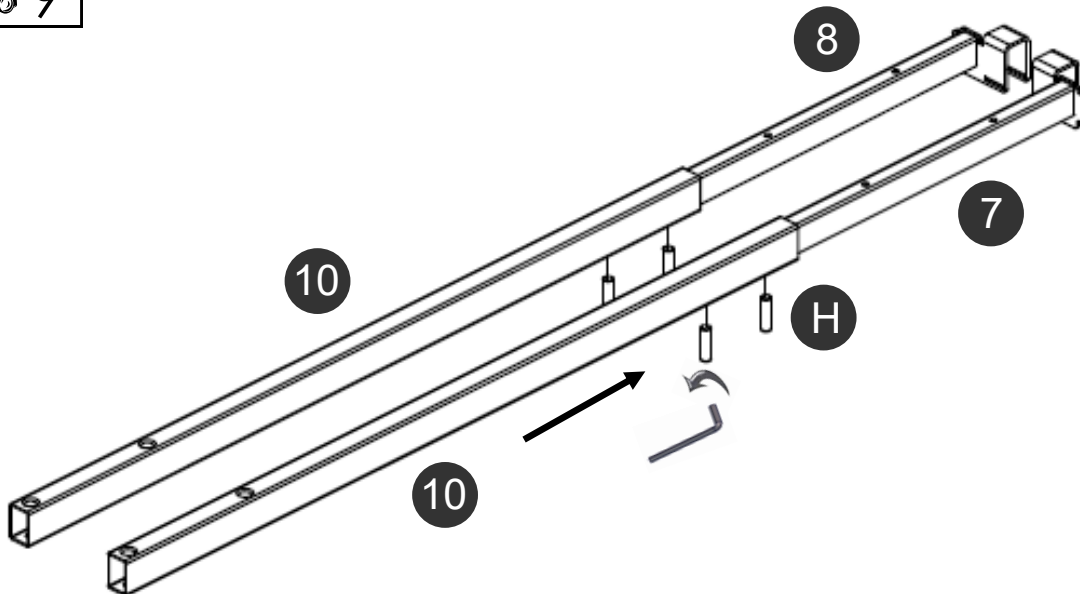
3.11 Pre-assembly of the Side Return Crossbars 1200mm-1400mm


English



- 
- Adjustment of the Crossbar width!
 - Tighten the sets crews after assembling the components.

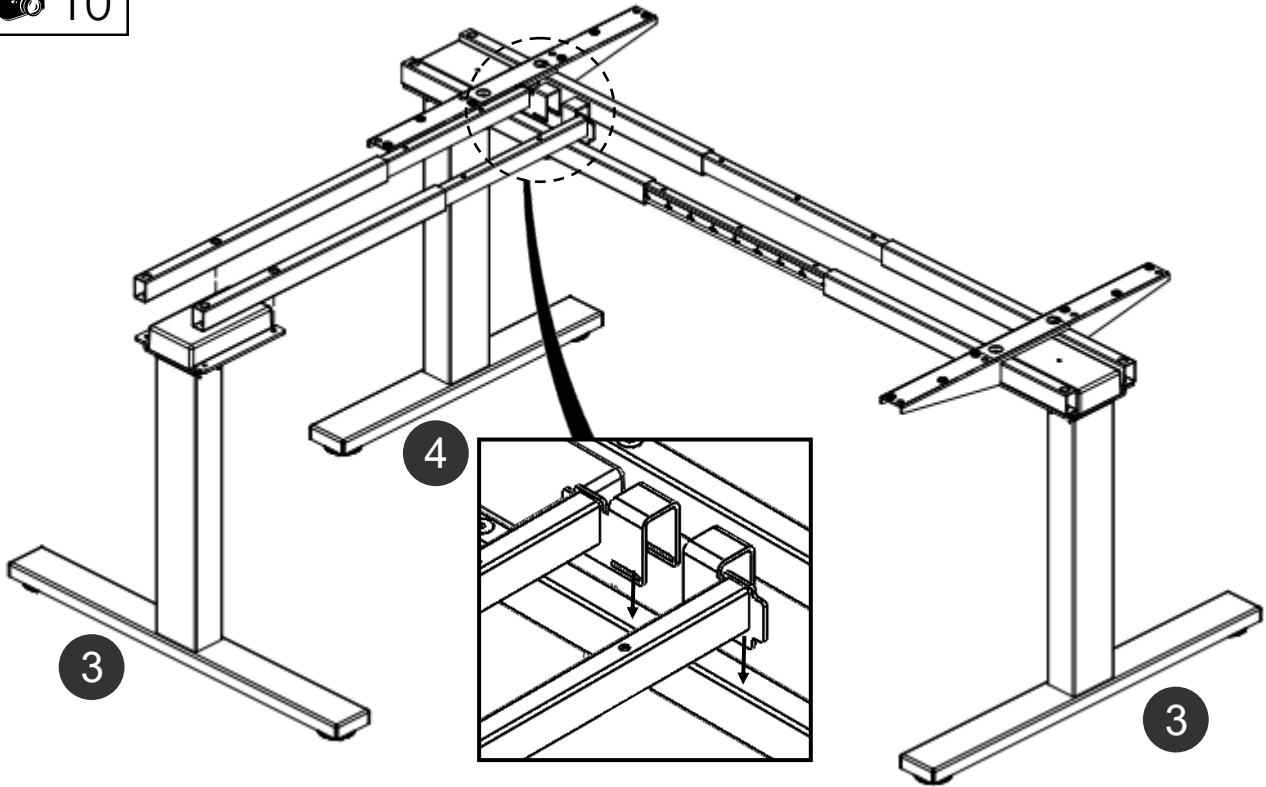
3.12 Option 2 - Pre-assembly of the Side Return Crossbars 1600mm-1800mm



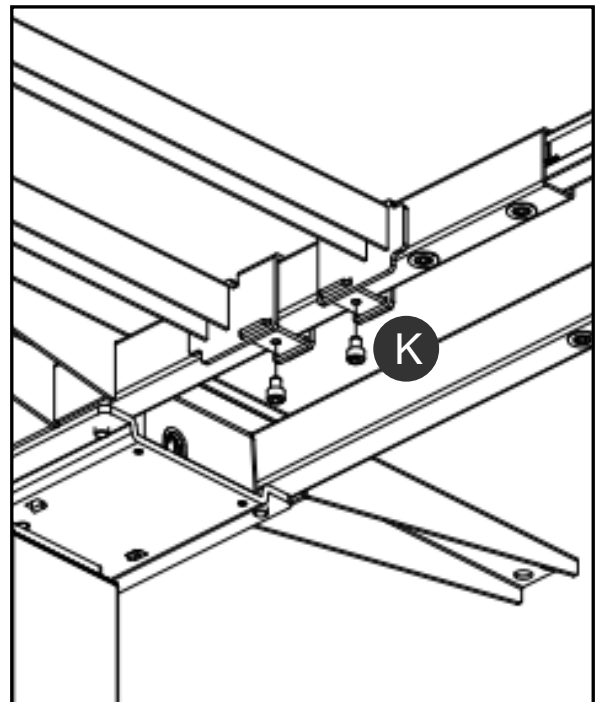
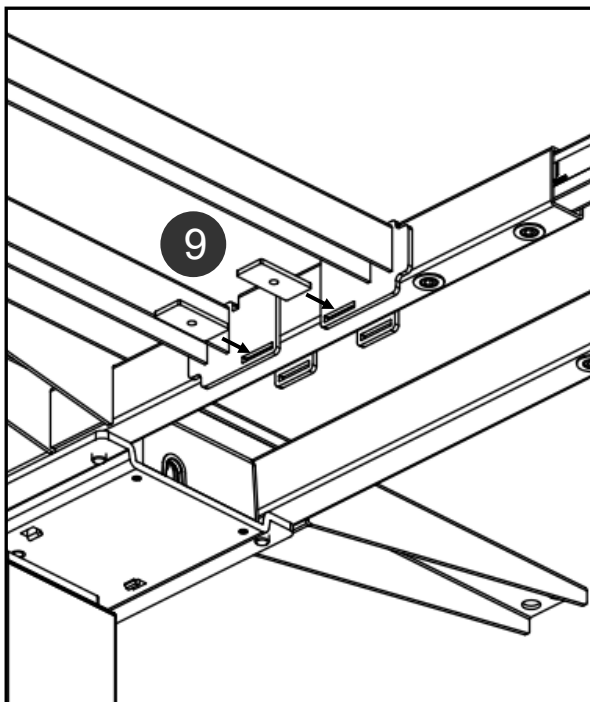
- 
- Adjustment of the Crossbar width!
 - Tighten the sets crews after assembling the components.

3.13 Mounting the Side Return Crossbars

English



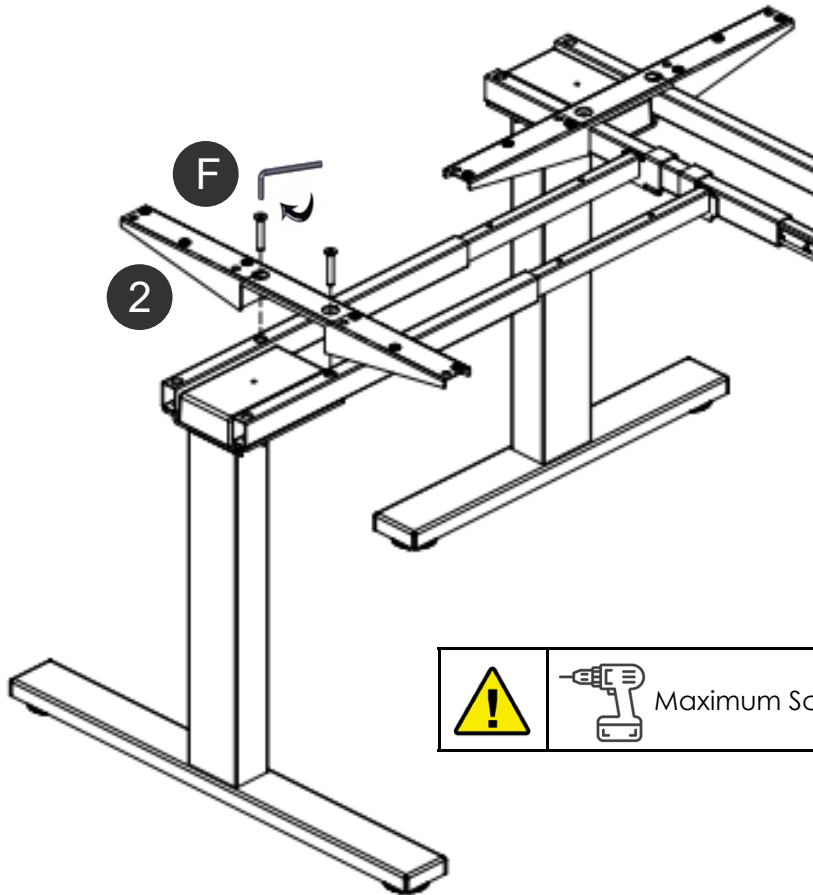
3.14 Mounting the Locking Plate



3.15 Mounting the Side Return Top Support

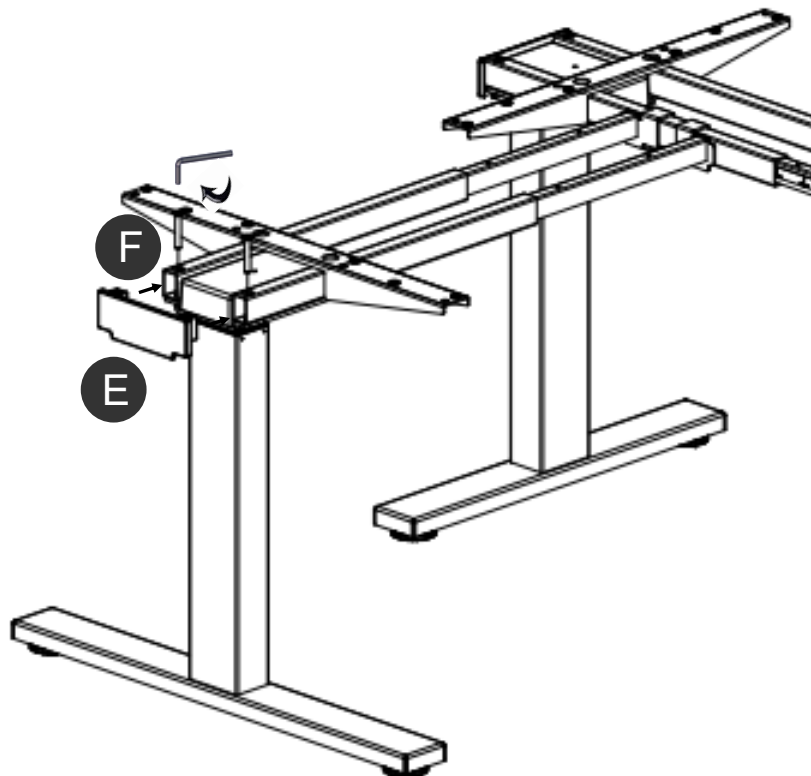
English

 12



3.16 Mounting the Side Return Head Cover

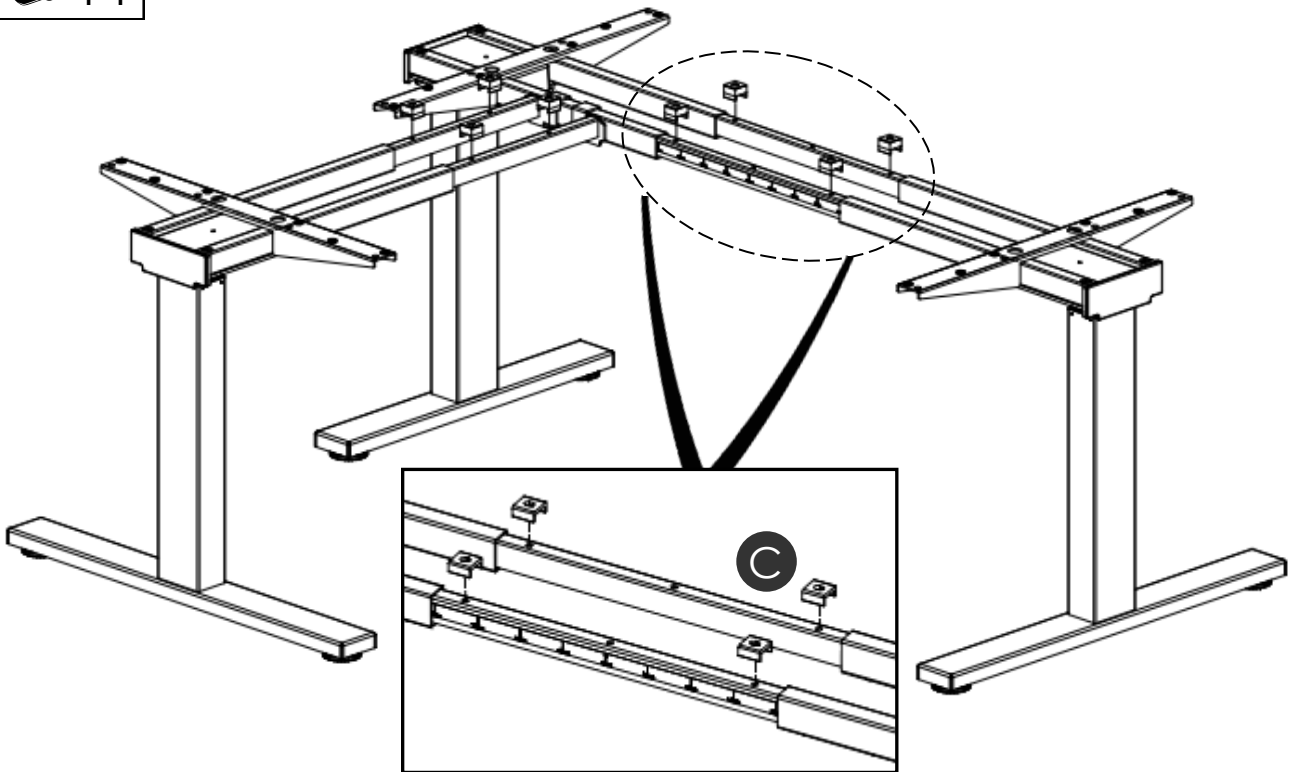
 13



3.17 Mounting the Spacers

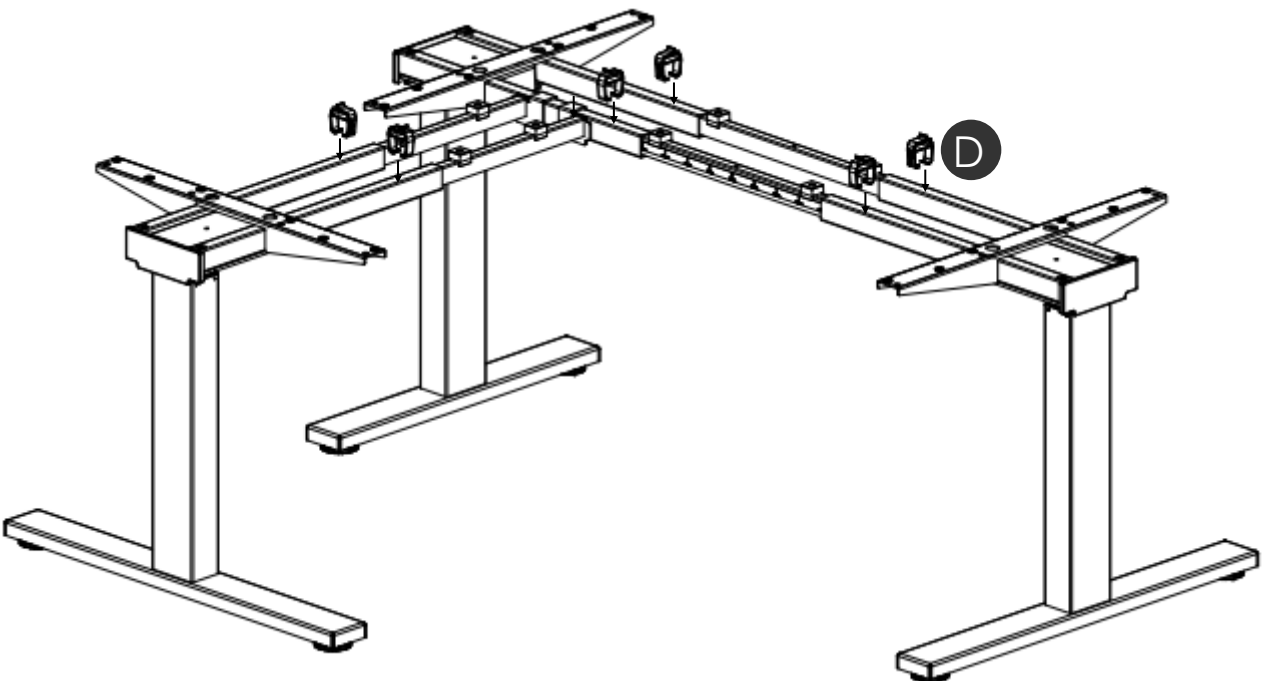
English

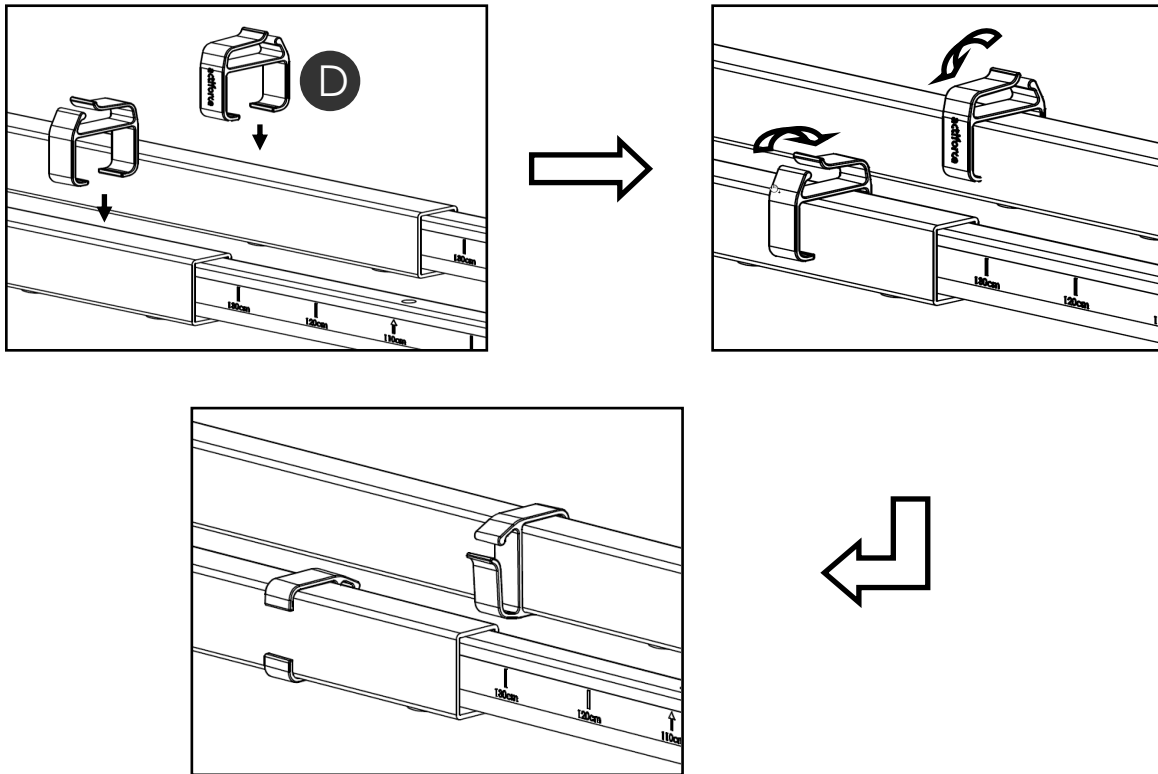
 14



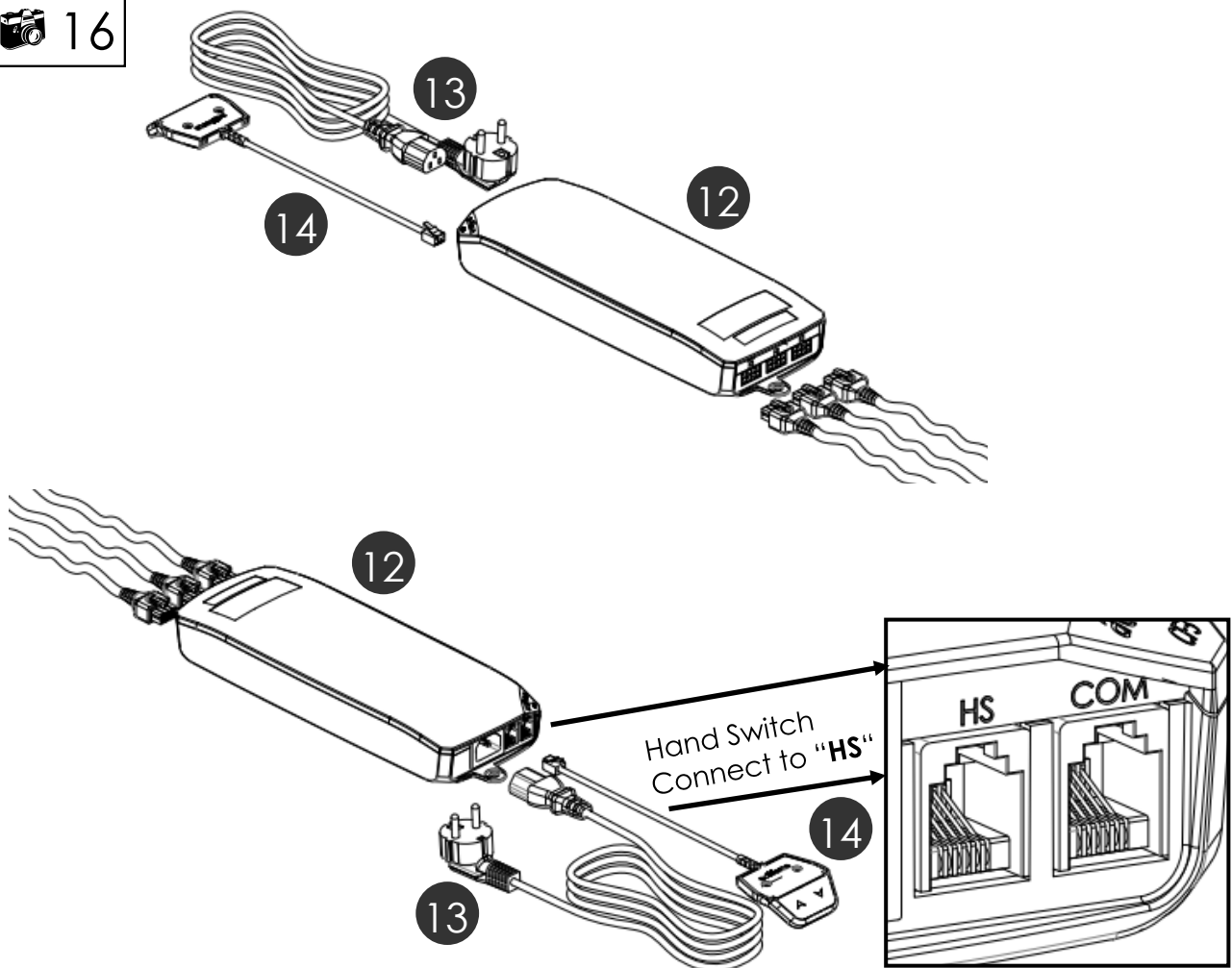
3.18 Mounting the Cable Clips

 15






3.19 Connecting the Electrical Components

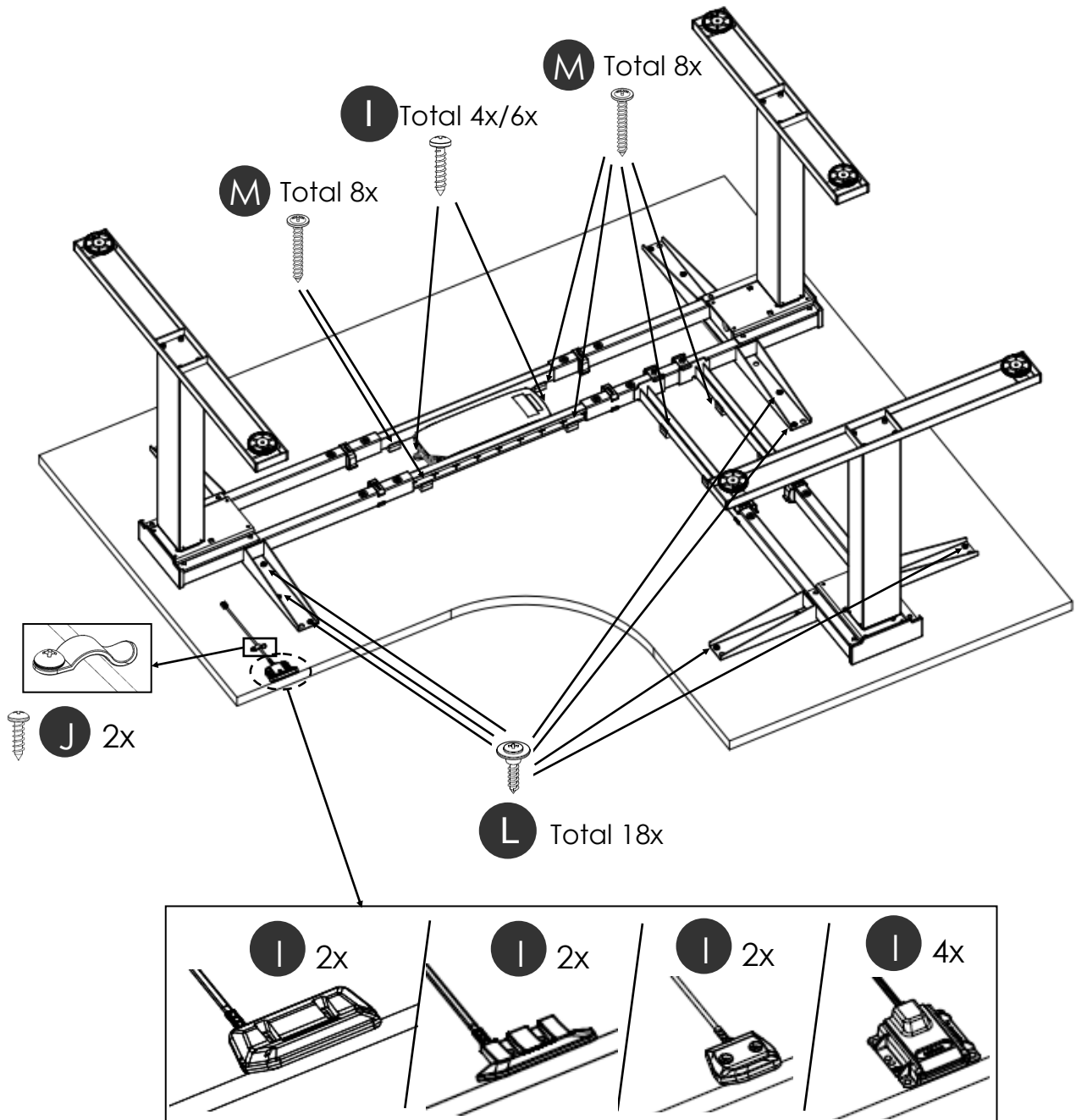


3.20 Mounting the table top

3.21 Mounting the power supply underneath the table top



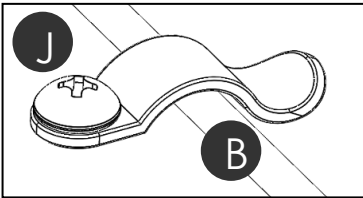
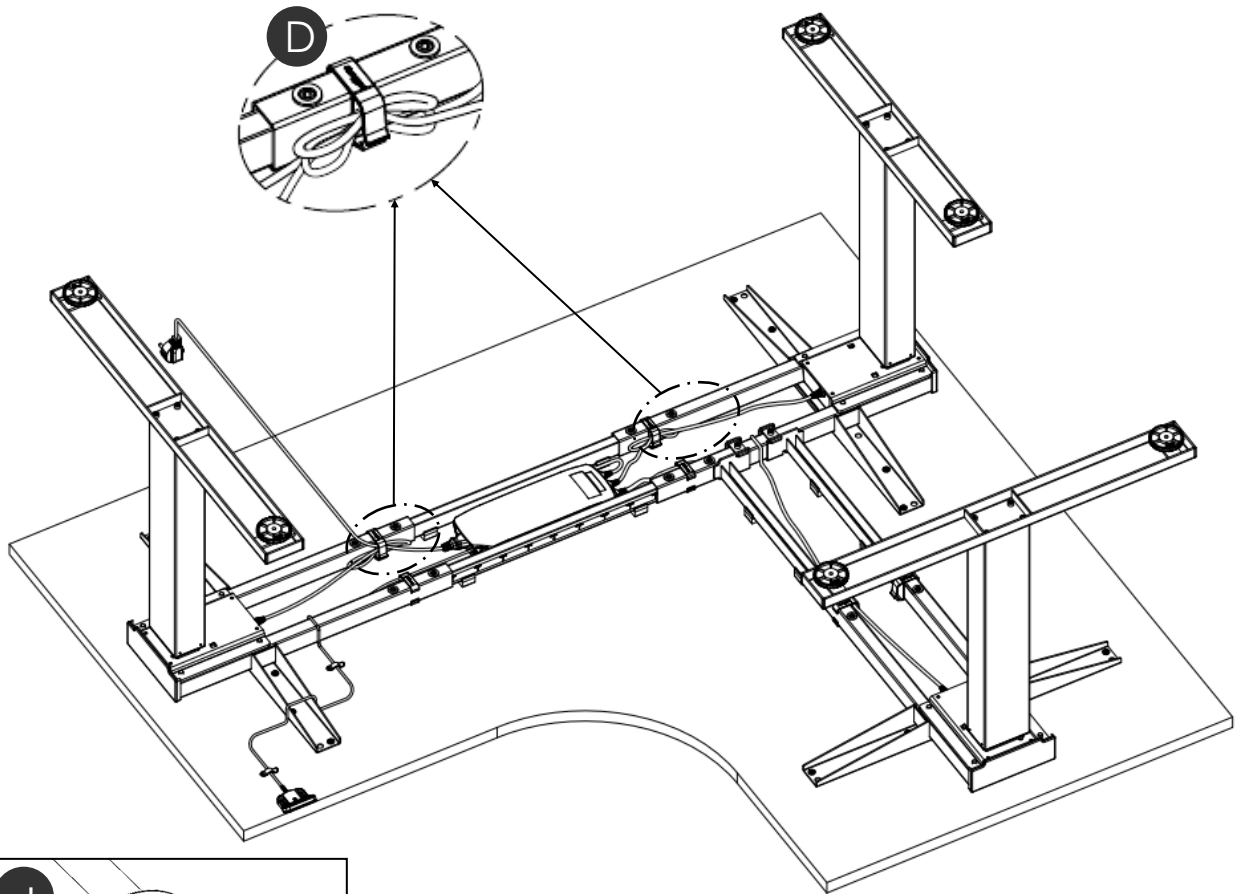
 Keep in mind that the desk which you are assembling is height adjustable. The cables of the electrical components must be able to freely follow the movement of the desk.



3.22 Mounting Wire Clip

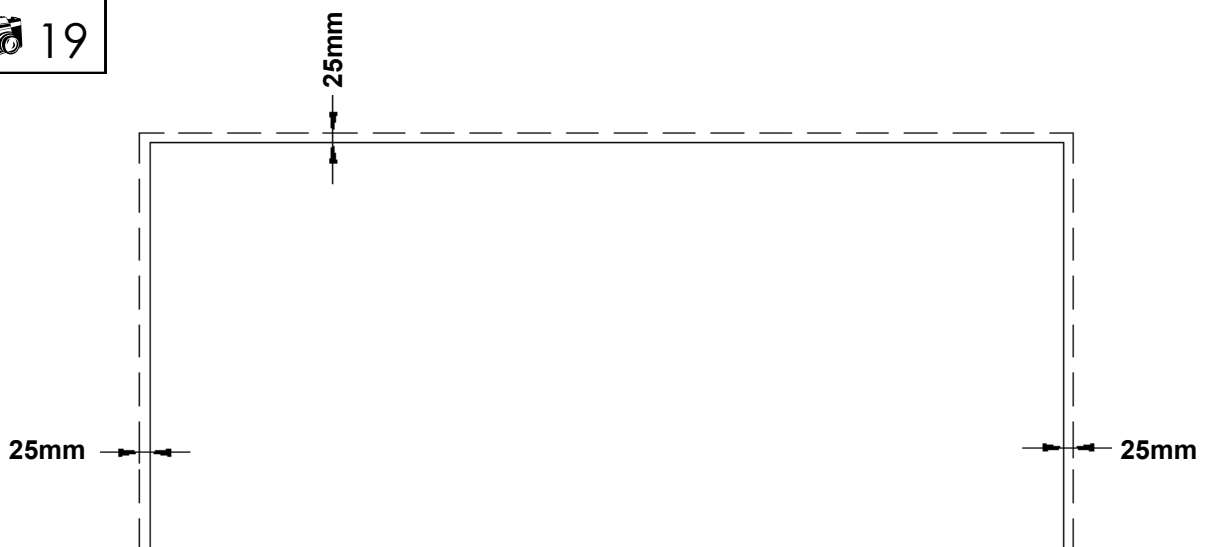
 18


Bond loose cable together with cable tie.






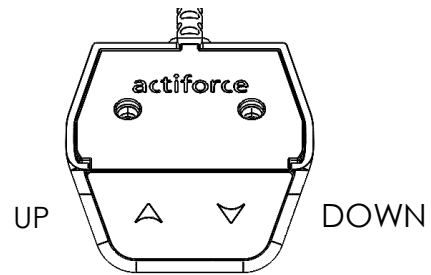
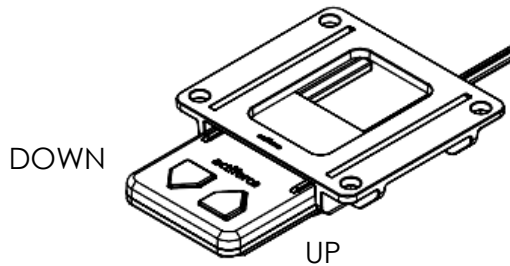
Mount the wire clips for cable. Place wire into each wire clip.

3.23 Clearance around the wall or moving parts 25mm of the table top

 19


Allow a minimum clearance of 25mm from the edge of a table top to a wall or moving parts.

	<p>Please make sure that the workstation frame can move freely and correct at all times.</p>
	<p>In case you need to disconnect cables from the electrical components always be sure to disconnect power first.</p>
	<p>In case the height adjustment is not operating normally, stop using the workstation frame immediately and disconnect the power. Get in contact with customer service for further advise</p>

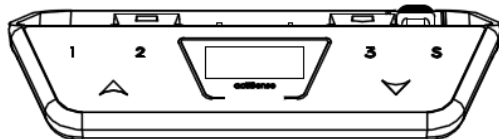


Reset Mode

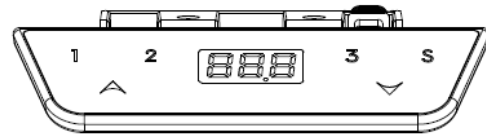
The first time you put in the plug of the power supply into the socket the height adjustment can only be operated in the reset-mode. As long as the reset-mode is enabled, the system can only move downward. In order to use the system normally, please follow the next steps:

- Press and hold the down-button, the system slowly moves downward.
- Please move the system to the lowest position. This position will be used as reference-point (zero-point).
- Keep the button pressed for a moment when the system has reached the lowest position. This will end the reset-mode.
- The system can be operated normally now. Press and hold the up- or down-button to move the system to the desired height. The system stops when you release the buttons.

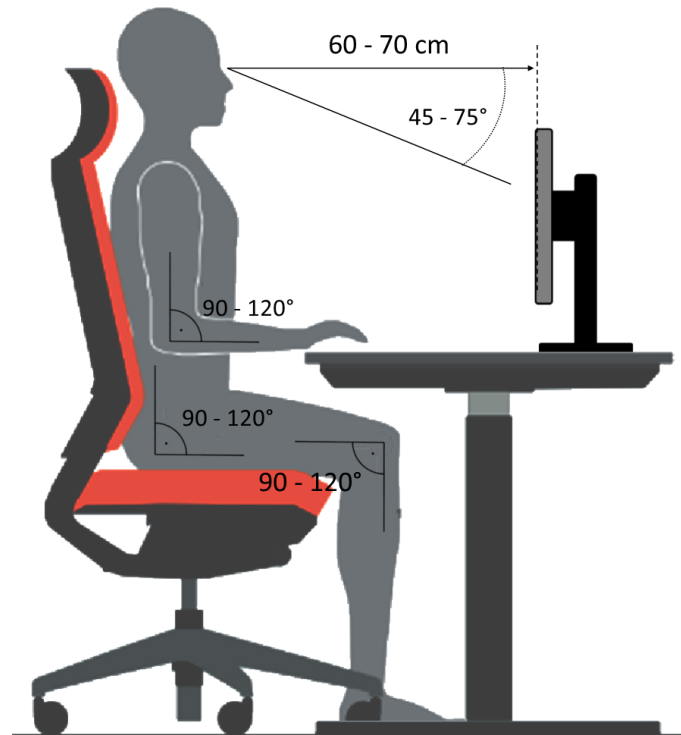
Functions of the Pro Memory (Optional)



For actiSwitch Pro Memory
Assembly Instruction, please refer to Manual
SLS-IM0061



For actiSwitch Eco Memory
Assembly Instruction, please refer to Manual
SLS-IM0081



Correct sitting posture

Sitting incorrectly can lead to injuries at joints, bowstrings and muscles. In order to prevent this it is necessary to adjust your office chair and desk.

Apart from the following advice you should always prevent an uncomfortable sitting posture. If you feel that the following advice leads you to an uncomfortable sitting posture simply adapt your needs.

Office Chair

- The sitting height has to be adjusted in way that your knee is angled by 90-120° when your foot is flat on the ground.
- Sitting properly requires that your lower back touches the back rest. If possible align the seating depth in order to avoid pressure from the seat pan to your lower leg.
- Sit upright but lean back in a relaxed position. If possible adjust the lumbar support of your chair to your height.
Adjust the back rest in a way that pushes your upper body slightly forward but still offering enough flexibility to yield movement.
- If possible adjust the height of your armrests. Your shoulders should be in a relaxed position when your arms are touching the arm rest.

Desk

- Adjust the table height after you have found your correct sitting posture.
- Your elbows should be angled by 90-120° when your arms rest on the table top. The edge of the top should not press against your arms.

Equipment on the desk

- Incident light (day light or lamps) on your monitor should approach the surface of your screen by an angle of 90°.
- The height of your monitor should be adjusted in way that enables you to look slightly downward while focusing the centre of your screen.
- Please keep a distance of 60-70 cm from your screen.
- A careful posture for your wrists can be achieved by a flat narrowed keyboard.
- **Please heed the advice in the manuals of your further (ergonomical) equipment.**

5 Technical Specifications

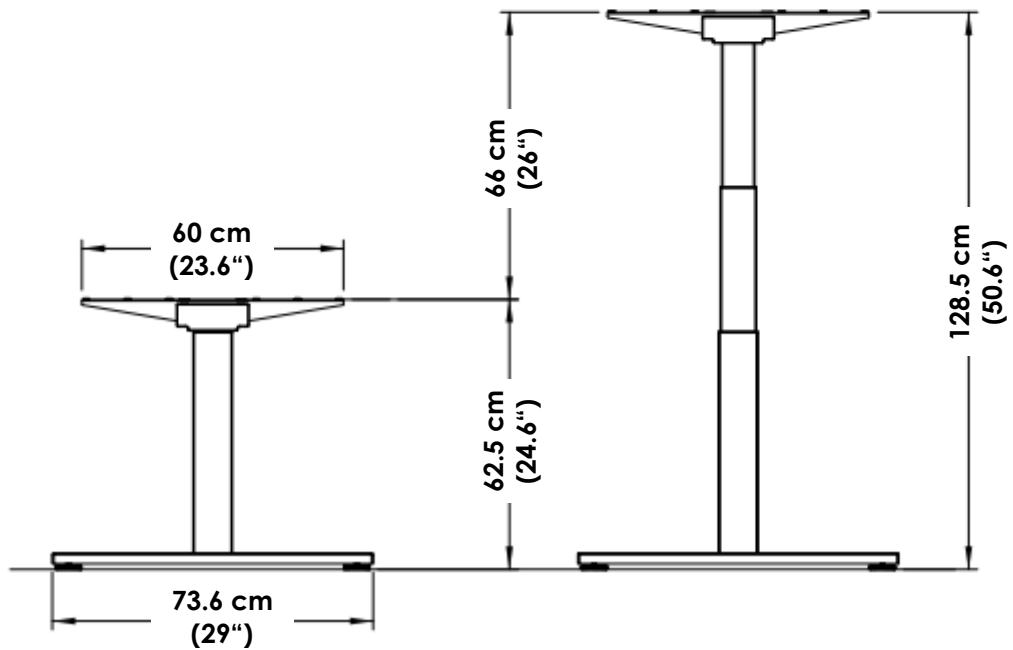
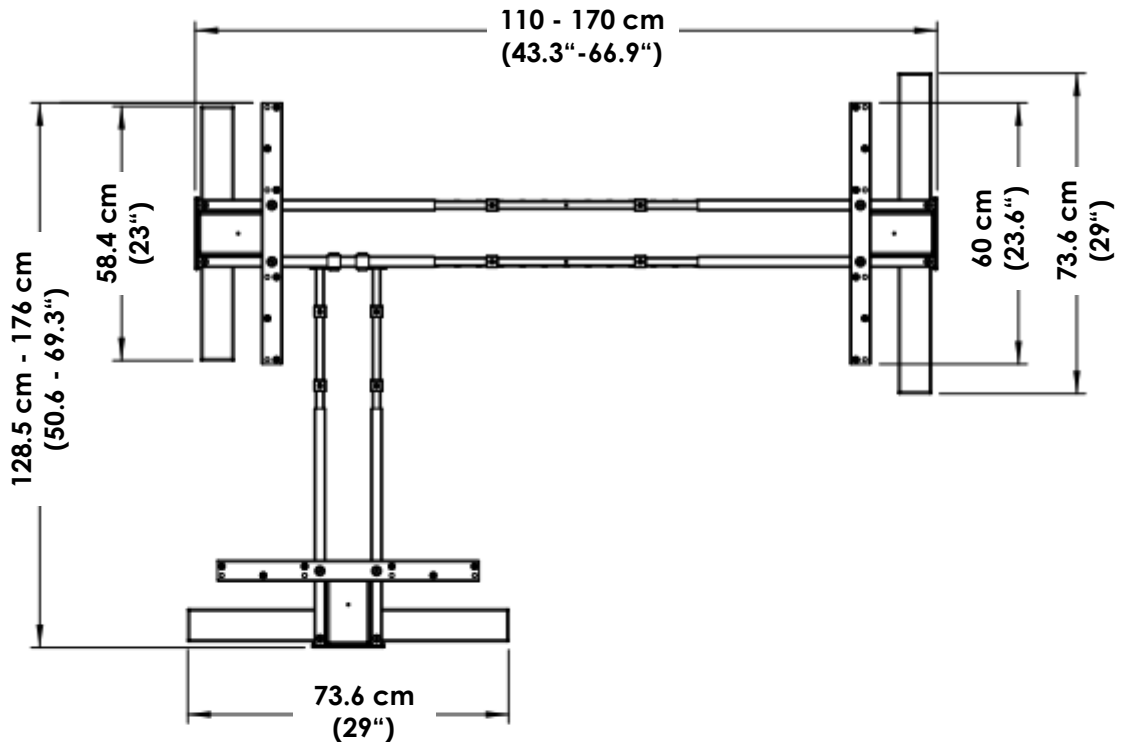
English

Frame for Sit-Stand Workstation


Assembly Manual version	SLS-IM0119-3EN-DE-NL-FR-HT
Year of construction	2022
Production country	Malaysia
System	2 - step
Material	Steel, Aluminium and Plastic
Stroke (max.)	660mm (26")
Frame load (max.)	150 kg
Frame weight Steelforce Pro Highline 671 (60x90) 90° XL SLS EN527	± 45.5 kg
Speed frame load	± 39 mm/s
Input power ControlForce 3	100-240Vac, 50/60Hz, 5A max
Duty cycle	10 % (2 Minute on / 18 Minutes off)
Noise level	< 45 dB(A)
Environmental temperature Use	15 - 30°C
Environmental temperature Storing	10 - 50°C
Humidity Use	<85%
Humidity Storing	<50%
Maximum Storing time	-
Indoor use only!!!	

(* General Tolerance = ± 10 mm)


English



Minimum Frame Height	62.5 cm (24.6")
Maximum Frame Height	128.5 cm (50.6")
Maximum Stroke	66 cm (26")
Frame Width	110-170 cm (43.3"-66.9")
Frame Depth	73.6 cm (29")
Minimum Table Top Depth	60 cm (23.6")
Maximum Frame Load	150 kg

	<p>Observe the provisions of Section 2, Safety Information on page 7, in particular:</p> <p>Do not leave children unsupervised with the workstation frame. Children may be unaware of the dangers presented by the workstation frame. They would be in serious danger of injuring themselves, possibly even with fatal consequences.</p> <p>Do not exceed the maximum time lag of the workstation frame. Make sure there is ample space to avoid collisions if there are objects on the work surface such as computers or computer peripherals.</p>
-----------------------------------------------------------------------------------	-----------------------------------------------------------------------------------------------------------------------------------------------------------------------------------------------------------------------------------------------------------------------------------------------------------------------------------------------------------------------------------------------------------------------------------------------------------------------------------------------------------------------------------------------------

6.1 Indicators

	<p>Leave the immediate surroundings of the workstation frame at once if it starts to move spontaneously. Under no circumstances attempt to operate the workstation frame.</p> <p>Stop using the workstation frame at once if you notice anything unusual (strange sounds, smoke, etc.).</p> <p>Have the workstation frame repaired by specialists. Refrain from using the workstation frame until it has been successfully repaired.</p> <p>Stop using the workstation frame at once if its safety features fail to work as they should.</p>
-----------------------------------------------------------------------------------	----------------------------------------------------------------------------------------------------------------------------------------------------------------------------------------------------------------------------------------------------------------------------------------------------------------------------------------------------------------------------------------------------------------------------------------------------------------------------------------------------------------------------------------------

7 Troubleshooting

Problem	Possible cause	Solution
Height adjustment does not work.	Cables or connectors defective.	Check cables for damages and if necessary replace them. Power in order?
Height adjustment does not work.	If cables and connectors have been checked a possible cause could be a defective up-down switch.	Replace up-down switch.
Height adjustment does not work.	Error in power supply.	Initialize reboot.

If your problem couldn't be solved or is not listed here, please contact your customer service for further advise.

8 Customer Service

Make sure you have the workstation frame information at hand when contacting the customer service.

Retailer :

9 Manufacturer

Actiforce International B.V.

Het Steenland 20
3751 LA Bunschoten-Spakenburg
The Netherlands

+31 (0)33 4600120
www.actiforce.com
info.holland@actiforce.com

10 Recycling

10.1 Taking the workstation out of active duty

- Pull the power plug out of the electricity socket.

10.2 Taking the workstation apart

- In case of de-assembling please follow the manual backwards or contact customer service.

10.3 Recycling

- Please split all parts to their type of material. Keep notice of National restrictions!

10.4 WEEE - Waste of Electrical and Electronic Equipment

Electrical and electronic equipment (EEE) contains materials, components and substances that may be hazardous and present a risk to human health and the environment when waste electrical and electronic equipment (WEEE) is not handled correctly. Equipment marked with the below crossed-out wheeled bin is electrical and electronic equipment. The crossed-out wheeled bin symbol indicates that waste electrical and electronic equipment should not be discarded together with unseparated household waste, but must be collected separately.



For this purpose all local authorities have established collection schemes under which residents can dispose waste electrical and electronic equipment at a recycling centre or other collection points, or WEEE will be collected directly from households. More detailed information is available from the technical administration of the relevant local authority. Users of electrical and electronic equipment must not discard WEEE together with household waste. Residents must use the municipal collection schemes to reduce adverse environmental impacts in connection with disposal of waste electrical and electronic equipment and to increase opportunities for reuse, recycling and recovery of waste electrical and electronic equipment.

11 EC-Declaration of Conformity according to Machinery Directive 2006/42/EC, Annex II A

English

We herewith confirm that the appliance as detailed below complies with the governing EU-directives (in particular with those directives mentioned below) and bulk production will be manufactured accordingly.

Article description:	Electrical Height Adjustable Frame For Table		
Article number:	SLS73d15*079** <i>The 1st symbol "*" can be 8 (Pro-Basic RJ11), 9 (Eco-Basic Slide RJ11), A (Pro Memory) or E (Eco Memory). The 2nd symbol "*" can be 11, 18, 29, 30, 78, 82, 83, 90, 94. J4 and etc. The 3rd symbol "*" can be EU, NL, DE, DK, US, GB, WE, MY, CH, TA, TC, TG, TI, TD and etc.</i>		
Model:	Steelforce Pro Highline 671 (60x90) 90° XL SLS EN527		
Types:	Spindle Lift System		
Technical data:	Width 1	:	1100 mm – 1700 mm
	Width 2	:	1285 mm - 1760 mm
	Height	:	625 mm - 1285 mm
	Depth	:	736 mm
	System	:	2 step, electromotive
	Material	:	Steel, plastic and aluminium
	Max. load	:	150.0 kg

Governing EU-directives :
Machinery Directive (2006/42/EC)
EMC Directive (2014/30/EU)
RoHS Directive (2011/65/EU)

Following Harmonised standards have been applied :

EN 61000-3-2:2019 EN 61000-3-3:2013+A1:2019 EN 55014-1:2017 EN 55014-2:2017+A11:2020
EN 60335-1:2012+A11:2014+A13:2017 EN 62233:2008 EN ISO 12100:2010 EN IEC 63000:2018

Other technical standards and specification used :

UL 962 47 CFR FCC Part 15 Subpart B ICES-003 IEC 60335-1

Address of Importer / Authorized representative : **Actiforce International BV**
Het Steenland 20
3751 LA Bunschoten-Spakenburg
Nederland

Importer : **Holger Fricke**
(Managing Director)

This declaration of conformity is issued under the sole responsibility of the manufacturer.
Signed on behalf of Actiforce Mechatronics Technology (M) Sdn Bhd.

Signature Name : 
Thomas Weidmann
(R&D Director)

Date : **18/Apr/2022**

Region : **Penang, Malaysia**

1 Allgemeines

1.1 Stellenwert der Montage-/Bedienungsanleitung

Das Grundprinzip für den sicheren Einsatz und den störungsfreien Betrieb dieses Arbeitsstationsgestells ist die Kenntnis der grundlegenden Sicherheitshinweise und -vorschriften. Die Montage-/Bedienungsanleitung beinhaltet die wichtigsten Informationen, die zur sicheren Montage und Bedienung des Arbeitsstationsgestells benötigt werden. Diese Montage-/Bedienungsanleitung, insbesondere die darin enthaltenen Sicherheitshinweise, sind von jeder Person zu beachten, die das Gestell aufbaut und an der fertigen Oberfläche arbeitet. Noch wichtiger ist, dass die Regeln und Vorschriften zur Unfallverhütung an dem Ort, an dem das Arbeitsstationsgestell verwendet werden soll, stets eingehalten werden.

1.2 Verwendungszweck

Das Arbeitsstationsgestell darf nur als höhenverstellbarer Arbeitstisch für den Sitz-Steh-Einsatz in Büros oder anderen geschlossenen Räumen verwendet werden. Das Gestell darf nur für diesen Zweck verwendet werden. Jede andere Verwendung gilt als nicht bestimmungsgemäß. Der Hersteller kann in keiner Weise für Schäden haftbar gemacht werden, die sich aus der unsachgemäßen Verwendung ergeben. Dieses Gerät kann von Kindern ab 8 Jahren und Personen mit eingeschränkten körperlichen, sensorischen oder geistigen Fähigkeiten oder mangelnder Erfahrung und Wissen verwendet werden. Jedoch nur, wenn Sie beaufsichtigt werden oder unterwiesen wurden, dieses Gerät sicher zu verwenden und die Gefahren zu erkennen und verstehen. Kinder sollten bei der Nutzung beaufsichtigt werden, sodass Sie nicht mit dem Gerät spielen können. Die Reinigung und Wartung darf nicht von Kindern ohne Aufsicht durchgeführt werden.

Zur bestimmungsgemäßen Verwendung gehört auch:

- Einhaltung aller Informationen aus der Montage-/Bedienungsanleitung und
- Verbot jeder Art von Ergänzung/Umbau der Arbeitsstation.

1.3 Unsachgemäße Verwendung

- Verwenden Sie das Arbeitsstationsgestell niemals zum Heben von Personen oder Lasten.
- Die maximale Tragfähigkeit des Arbeitsstationsgestells darf nicht überschritten werden.
- Arbeitsstation nur mit dem mitgelieferten Netzteil betreiben.

1.4 Gefahr

Ein unsachgemäßer Anschluss der Erdungsleitung der Arbeitsstation kann zu einem Stromschlag führen. Wenden Sie sich an einen qualifizierten Elektriker, wenn Sie Zweifel haben, ob das Gerät ordnungsgemäß geerdet ist. Verändern Sie nicht den mitgelieferten Stecker.

Wenn das Netzkabel beschädigt ist, muss es durch ein spezielles Kabel oder eine spezielle Vorrichtung ersetzt werden, die beim Hersteller oder dessen Kundendienst erhältlich ist.

ACHTUNG: Änderungen oder Modifikationen, die nicht ausdrücklich vom Hersteller genehmigt wurden, können die Berechtigung des Benutzers zum Betrieb des Geräts aufheben.

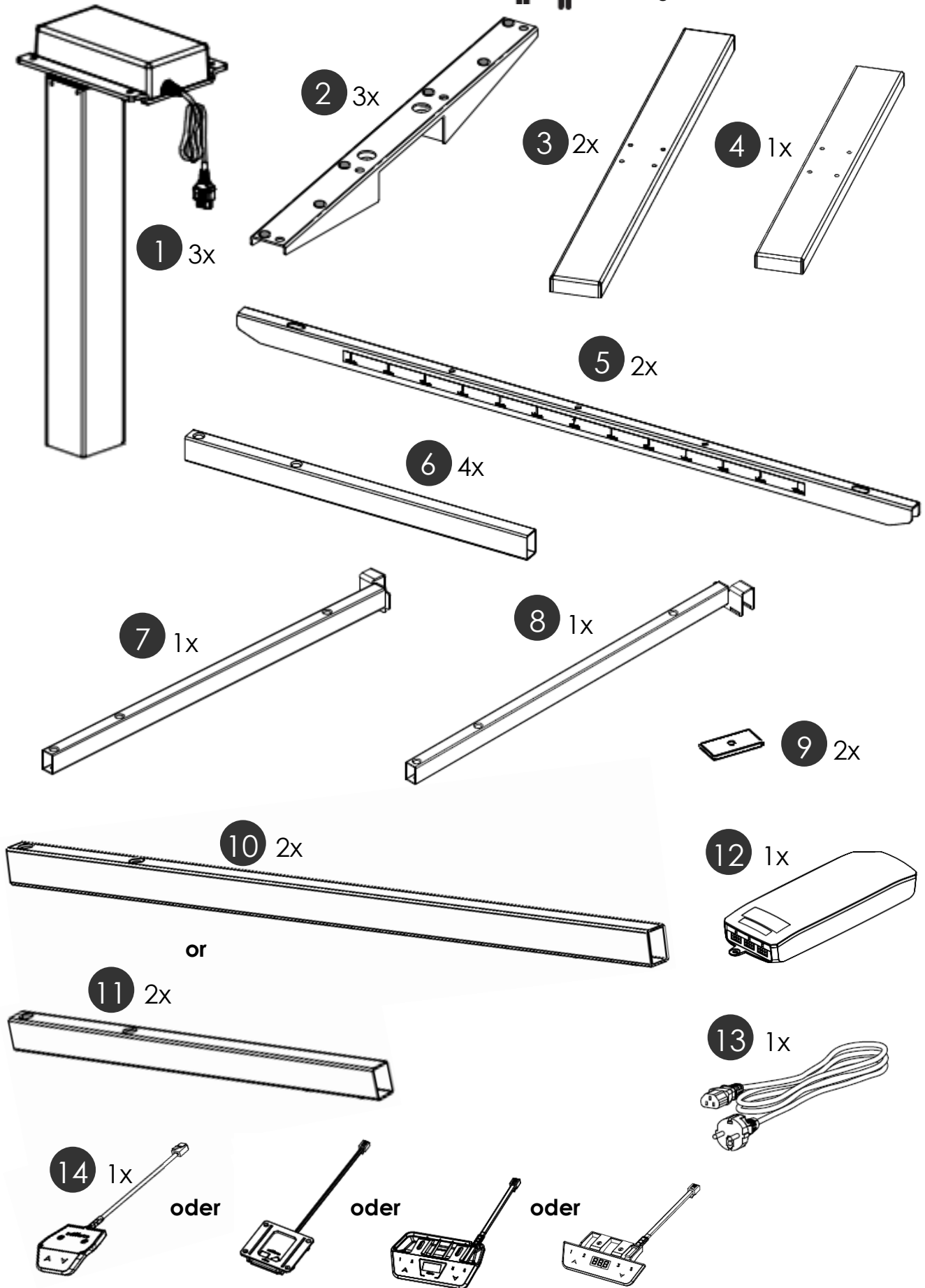
1.5 Lieferumfang

Deutsch

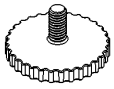
Teile



Montage muss von 2 Personen durchgeführt werden!



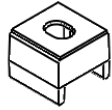
A 6x



B 2x



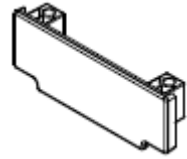
C 8x



D 8x



E 3x

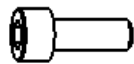


F 12x



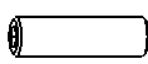
M8x50

G 12x



M6x16

H 12x



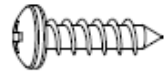
M10x35

I 4x
6x



4.5x20

J 2x



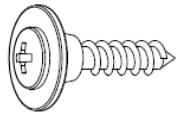
4.5x16

K 2x



M6x8

L 18x



4.5x20

M 8x





4x30

Werkzeuge




2.1 Symbol- und Hinweiserklärungen


In der Betriebs- und Montageanleitung werden folgende Hinweise und Symbole für Gefährdungen verwendet:

	<p>Dieses Symbol weist auf eine unmittelbar drohende Gefahr für das Leben und die Gesundheit von Personen hin. Das Nichtbeachten dieser Hinweise kann schwere gesundheitsschädliche Auswirkungen zum Beispiel lebensgefährliche Verletzungen bis hin zur Todesfolge haben.</p>
	<p>Dieses Symbol deutet auf einen wichtigen Hinweis hin. Das Nichtbeachten kann zu Schäden am Gestell führen.</p>


2.2 Verwendete Symbole am Tischgestell

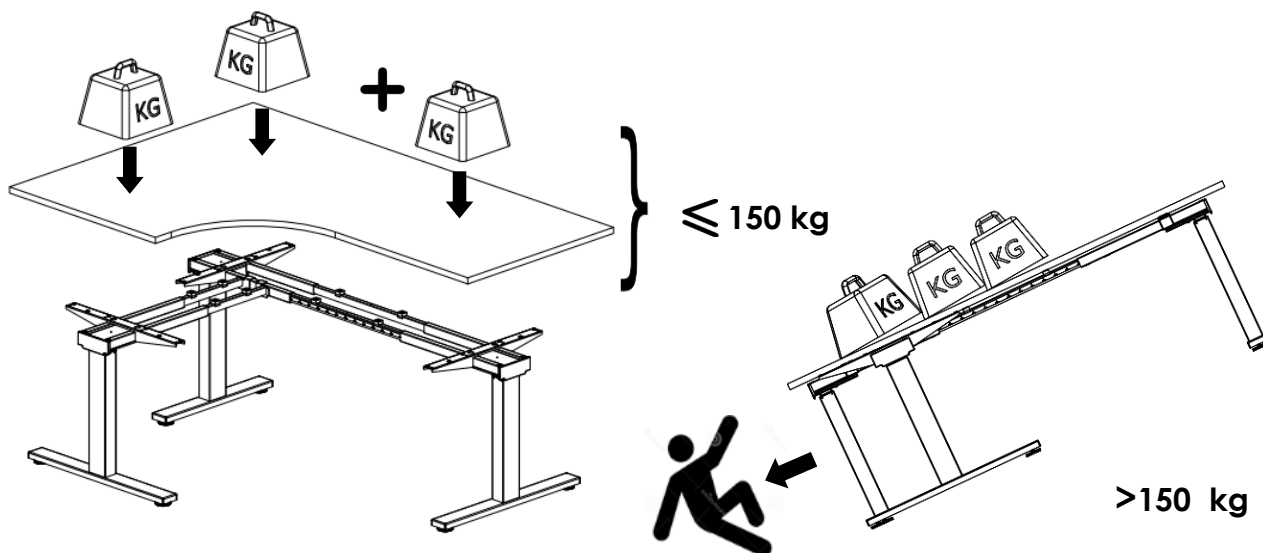
	<p>Bringen Sie keine Gegenstände oder Körperteile unter das Tischgestell bzw. zwischen die Traversen. Eine Nichtbeachtung kann zu schweren Verletzungen oder zum Tod führen.</p>
-----------------------------------------------------------------------------------	----------------------------------------------------------------------------------------------------------------------------------------------------------------------------------

2.3 Zulässiges Gesamtgewicht auf dem Tischgestell

	<p>Belasten Sie das Tischgestell nur mit der maximal zulässigen Last von 150 kg (inklusive Tischplatte). Vermeiden Sie einseitige Beladungen, verteilen Sie das Gewicht soweit wie möglich gleichmäßig. Eine Überlastung kann zum Zusammenbruch des Gestells führen und bei nahestehenden Personen schwere Verletzungen verursachen.</p>
-----------------------------------------------------------------------------------	------------------------------------------------------------------------------------------------------------------------------------------------------------------------------------------------------------------------------------------------------------------------------------------------------------------------------------------

Beispiel

 Das gesamte Gewicht sollte gleichmäßig verteilt werden.

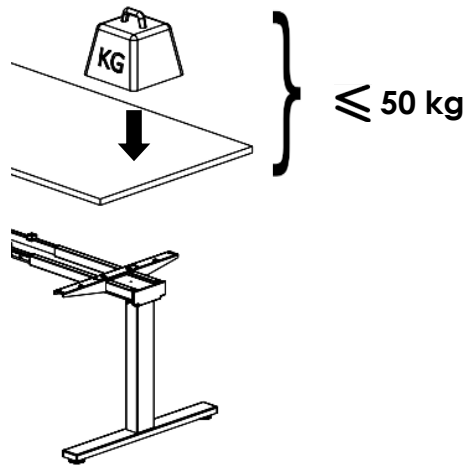


2.4 Zulässiges Gesamtgewicht pro Säule

Deutsch



Belasten Sie eine einzelne Säule mit nicht mehr als der maximal zulässigen Last von 50 kg, (inklusive Tischplatte). Eine Überlastung kann zum Zusammenbruch des Gestells führen und bei nahestehenden Personen schwere Verletzungen verursachen.



2.5 Organisatorische Maßnahmen

- Montieren Sie das Tischgestell am besten mit zwei Personen. Speziell das Umdrehen des Gestells mit montierter Tischplatte muss mit zwei Personen erfolgen.

2.6 Empfohlene Sicherheitsmaßnahmen

- Bewahren Sie die Betriebs- und Montageanleitung ständig in der Nähe des Einsatzortes des Tischgestells auf.
- Halten Sie alle Sicherheits- und Gefahrenhinweise an dem Tisch (siehe Kapitel 2.2 „Verwendete Symbole am Tischgestell“) in lesbarem Zustand und aktualisieren Sie diese gegebenenfalls.

2.7 Hinweise zur Montage

- Die Montage des Tischgestells oder Arbeiten am Tischgestell dürfen nur von Personen ab einem Alter von 16 Jahren durchgeführt werden.
- Die Monteure müssen die Betriebs- und Montageanleitung gelesen und verstanden haben.

2.8 Transport und Montage

- Bewegen Sie das Tischgestell nur mit zwei Personen und in niedrigster Tischhöhe.
- Kippen oder ziehen Sie das Tischgestell nicht mit den Kufen über dem Boden.
- Montieren Sie das Tischgestell nur mit dem beigefügten Werkzeug.

2.9 Verwendung des Tischgestells

- Lassen Sie Kinder nicht unbeaufsichtigt an das Tischgestell. Kinder können die Gefahren des Tischgestells nicht einschätzen. Es besteht die Gefahr von schweren Verletzungen mit Todesfolge. Zum Schutz von Kindern darf keine weitere Verstellung möglich sein.
- Benutzen Sie das Tischgestell nur in der dafür vorgesehenen Umgebung.
- Benutzen Sie das Tischgestell nicht auf einem unebenen Untergrund. Es besteht die Gefahr des Umkippens.
- Belasten Sie das Tischgestell nur bis zur maximalen Last.

2.10 Besondere Gefahrenstellen

- Beim Verstellen der Gestellhöhe besteht Verletzungsgefahr. Achten Sie bei der Verstellung des Tischgestells darauf, dass sich keine Personen in der Nähe des Tischgestells aufhalten.
- Achten Sie bei der Aufstellung des Tischgestells auf vollständige Kollisionsfreiheit (z. B. Dachschrägen, bauliche Gegebenheiten, Rollcontainer, Papierkörbe usw.) in allen möglichen Verstellpositionen.
- Achten Sie auch auf Kollisionsfreiheit, wenn sich Gegenstände – z. B. EDV-Geräte – auf dem Tisch befinden.
- Halten Sie einen seitlichen Sicherheitsabstand vom mindestens 25 mm zu jedem anderen Möbelstück ein.

2.11 Hinweise für den Notfall

- Nehmen Sie das Tischgestell sofort außer Betrieb, wenn ungewöhnliche Vorkommnisse (Geräusche, Qualm, Rauch usw.) am Tischgestell entstehen sollten.
- Lassen Sie das Tischgestell durch einen Fachbetrieb reparieren. Nehmen Sie das Tischgestell erst wieder nach erfolgter Reparatur in Betrieb.

2.12 Wartung und Instandhaltung

- Das Tischgestell und seine Bauteile sind wartungsarm und erfordern keine besondere regelmäßige Wartung.
- Führen Sie keine Reparaturen am Tisch oder den Komponenten selbst durch.
- Nehmen Sie keine baulichen Veränderungen am Tisch vor.
- Tauschen Sie defekte Komponenten des Tischgestells nur gegen neue Originalteile des Herstellers aus. Verwenden Sie bitte ausschließlich Originalersatzteile des Herstellers. Lassen Sie alle damit zusammenhängenden Arbeiten von einem Fachmann unter Beachtung der Anweisungen in dieser Betriebs- und Montageanleitung durchführen.

2.13 Reinigung

- Ziehen Sie vor der Reinigung immer den Netzstecker aus der Steckdose.
- Stauben Sie das Tischgestell mit einem trockenen Lappen einmal pro Woche ab.
- Reinigen Sie das Tischgestell mit einem feuchten Tuch und mildem Reinigungsmittel alle 2 Wochen.

2.14 Restrisiken

Das Tischgestell ist nach dem Stand der Technik und den anerkannten sicherheitstechnischen Regeln gebaut. Dennoch können bei Verwendung Gefahren für Leib und Leben des Benutzers oder Dritter bzw. Beeinträchtigungen am Tischgestell oder an anderen Sachwerten entstehen. Das Tischgestell ist nur zu benutzen:

- für die sachgemäße Verwendung.
- in sicherheitstechnisch einwandfreiem Zustand.

3 Montage

Deutsch



Bitte beachten Sie vor der Montage die Sicherheitshinweise in Abschnitt 2.

3.1 Überprüfung des Lieferumfangs

- Öffnen Sie die Kartonverpackung vorsichtig.
- Verwenden Sie hierzu keine langen Messerklingen. Dabei können Teile im Inneren beschädigt werden.
- Überprüfen Sie, ob alle in der Liste in Abschnitt 1.6 angegebenen Teile vorhanden sind.
- Versuchen Sie nicht, das gelieferte Tischgestell zu montieren, wenn Sie Beschädigungen oder einen fehlerhaften Lieferumfang feststellen.

3.2 Verpackung

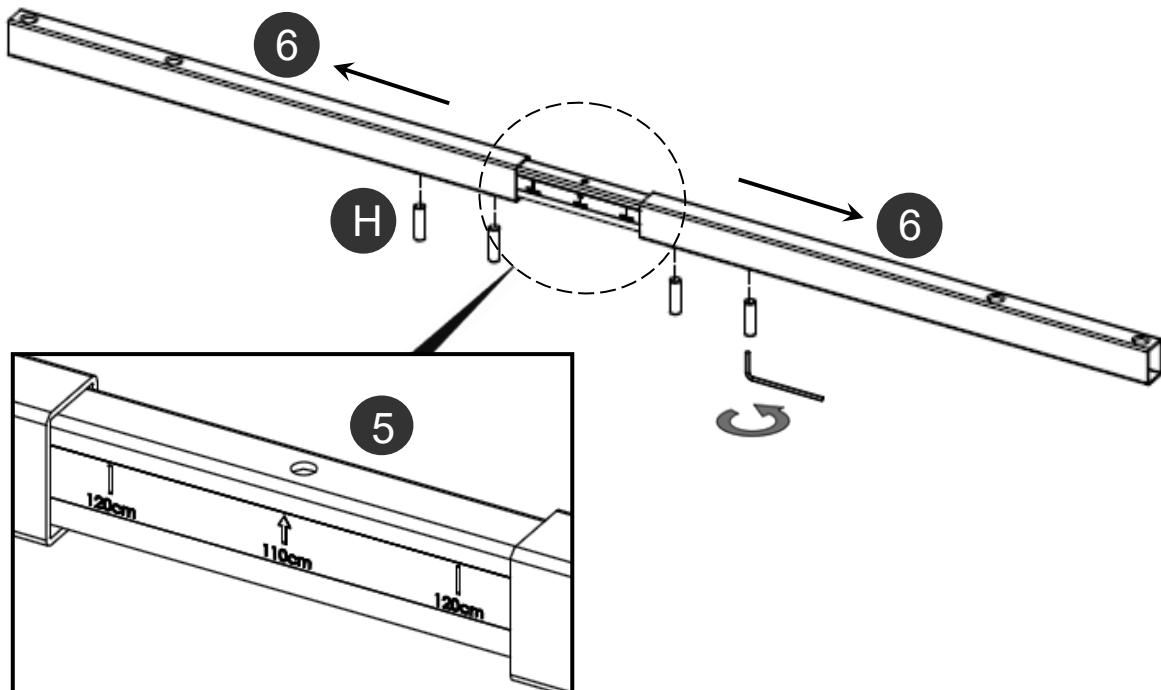
- Entfernen Sie die Verpackung. Entsorgen Sie diese als Haus-/Papiermüll.
- Beachten Sie die nationale Gesetzgebung.

3.3 Hinweis zum Verschrauben der Beschläge

- Montieren Sie das Tischgestell ausschließlich unter Verwendung der mitgelieferten Werkzeuge.

3.4 Vormontage der Traversen für 110 cm und 120 cm

Empfohlene Tischplattenmaße			
Gestellbreite	Tischplatten maße / Breite	Tischplatten maße / Tiefe	Tischplattenstärke
110 cm	120 cm	80 cm	2.5 cm
120 cm	130 cm	80 cm	2.5 cm



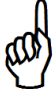
Schieben bzw. drücken Sie das Gestell in die gewünschte Breite. Ziehen Sie mit Hilfe des Sechskantschlüssels die Gewindestifte an der Traverse.

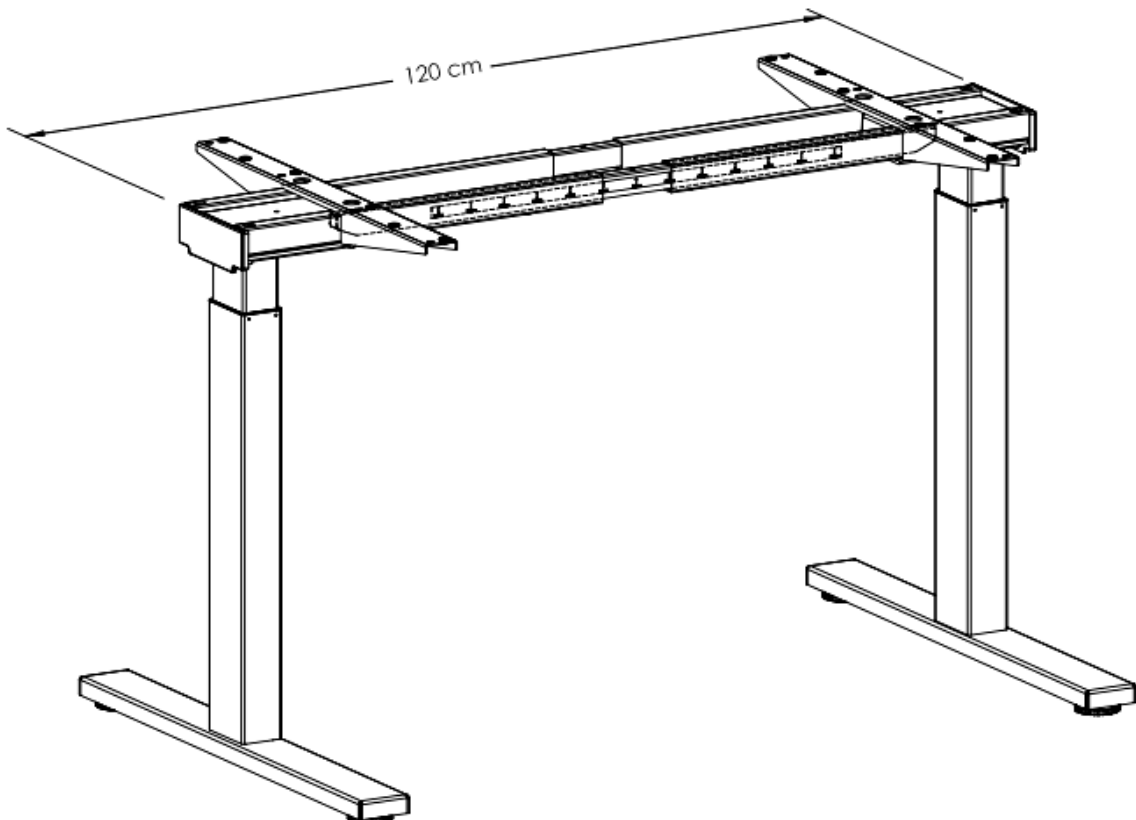
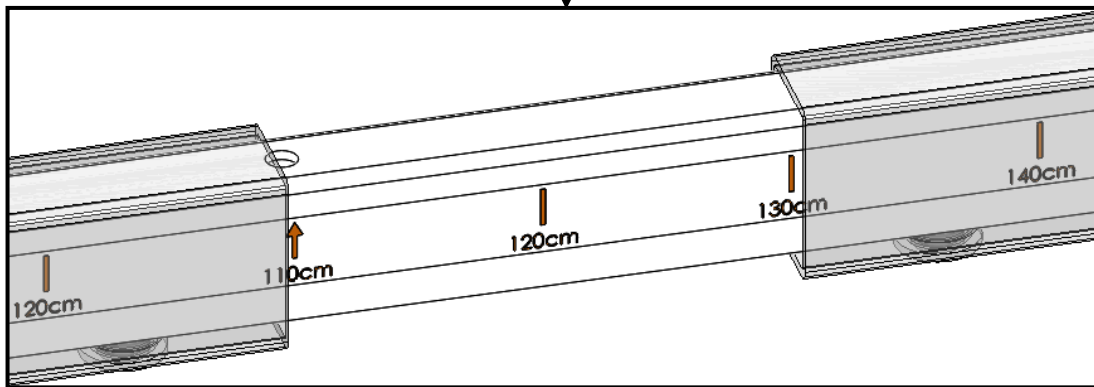
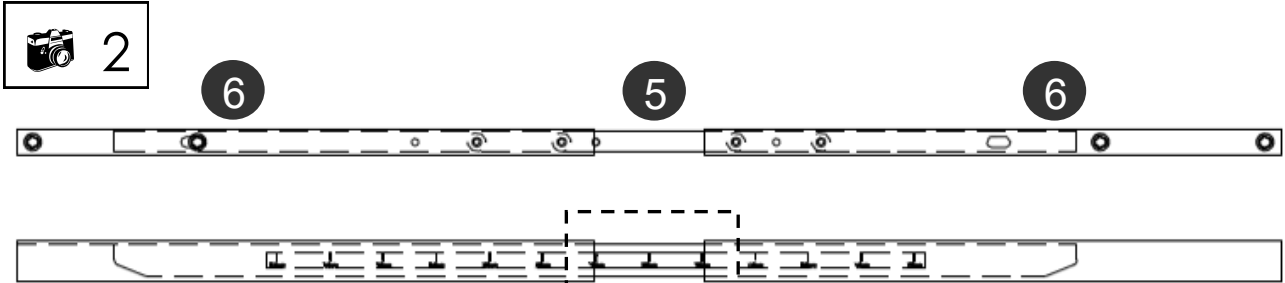


Maximales Drehmoment : 10N-m

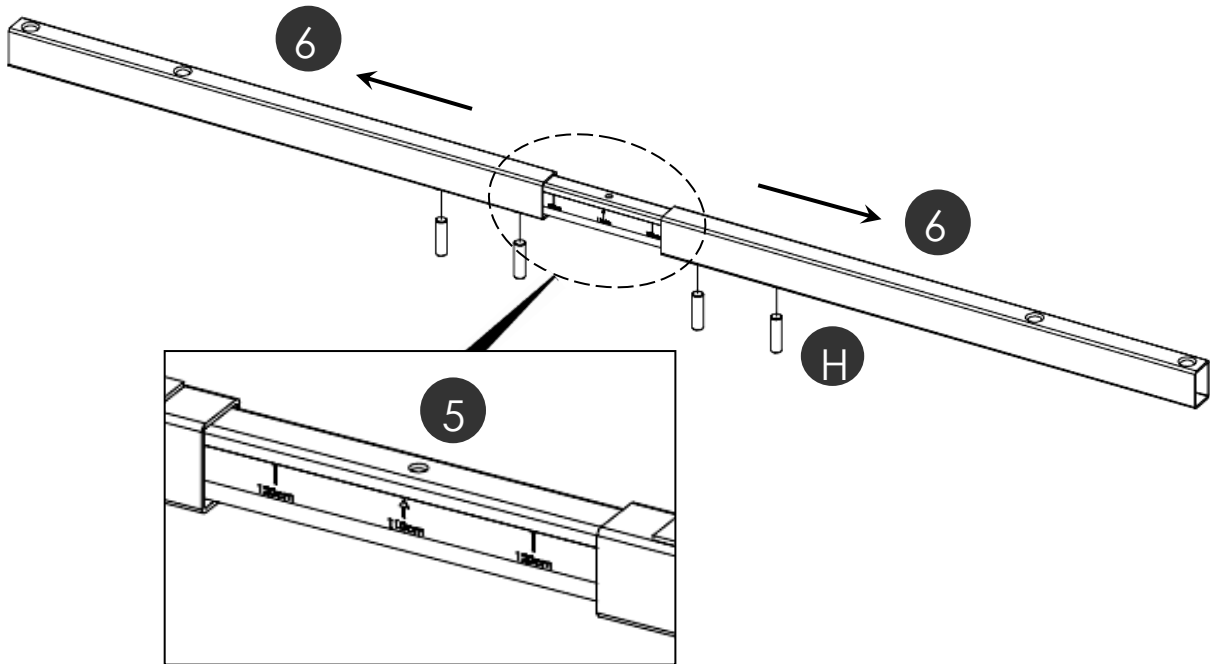
3.5 Einstellung der Traversen auf 120 cm

Deutsch

 Einstellung der Traversen auf 120 cm - Verschieben Sie die innere Traverse wie im unten gezeigten Schaubild auf 110 cm und 130 cm.



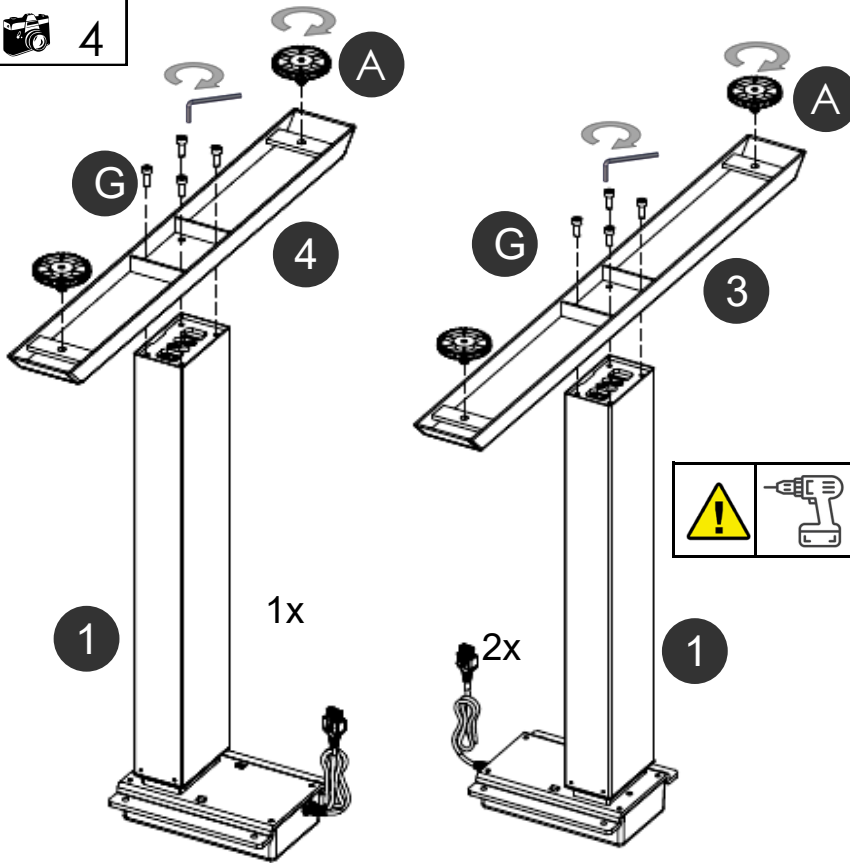
Empfohlene Tischplattenmaße			
Gestellbreite	Tischplatten maße / Breite	Tischplatten maße / Tiefe	Tischplattenstärke
130 cm	140 cm	80 cm	2.5 cm
150 cm	160 cm	80 cm	2.5 cm
170 cm	180 cm	80 cm	2.5 cm



 Ziehen Sie die Gewindestifte noch nicht fest!

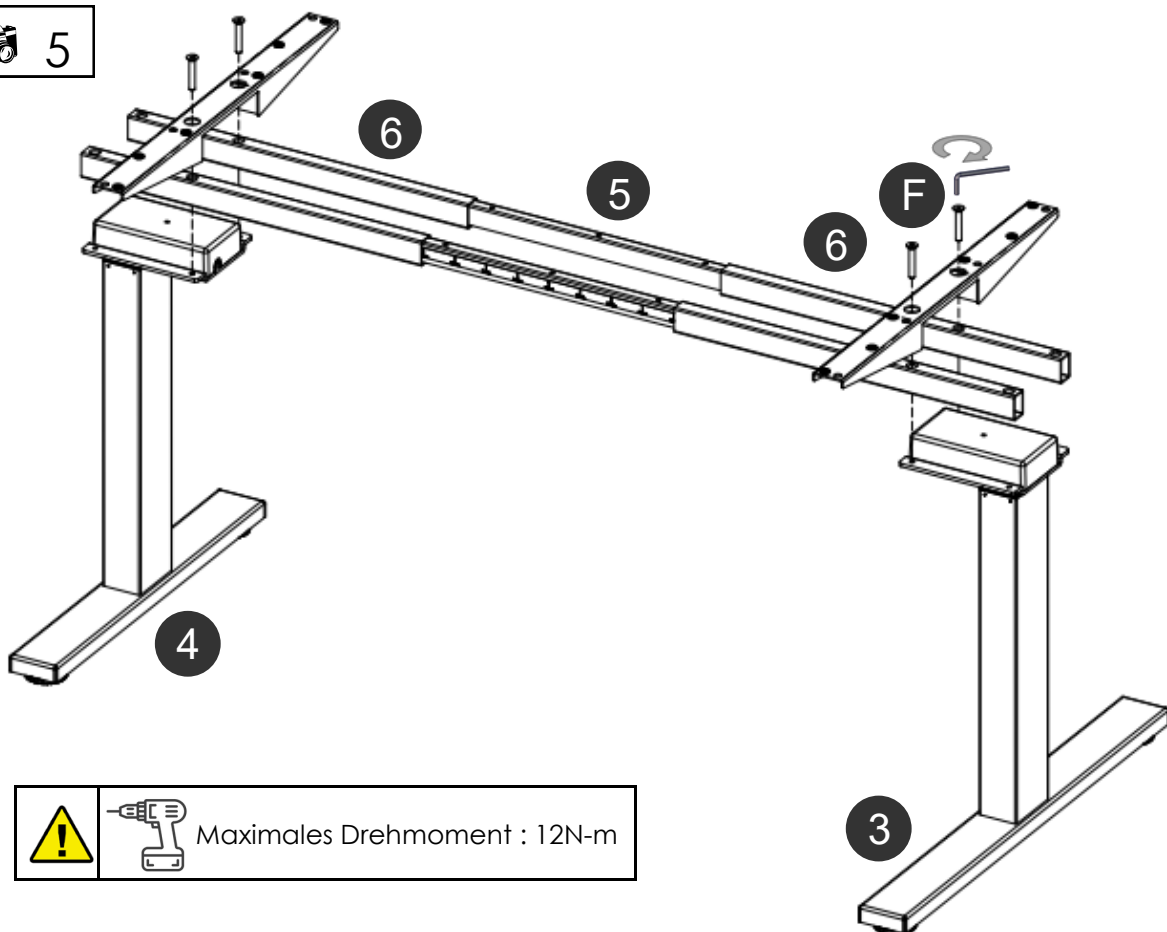
3.7 Montage der Kufen



Deutsch



  Maximales Drehmoment : 10N-m

3.8 Montage der Traverse und Plattenträger

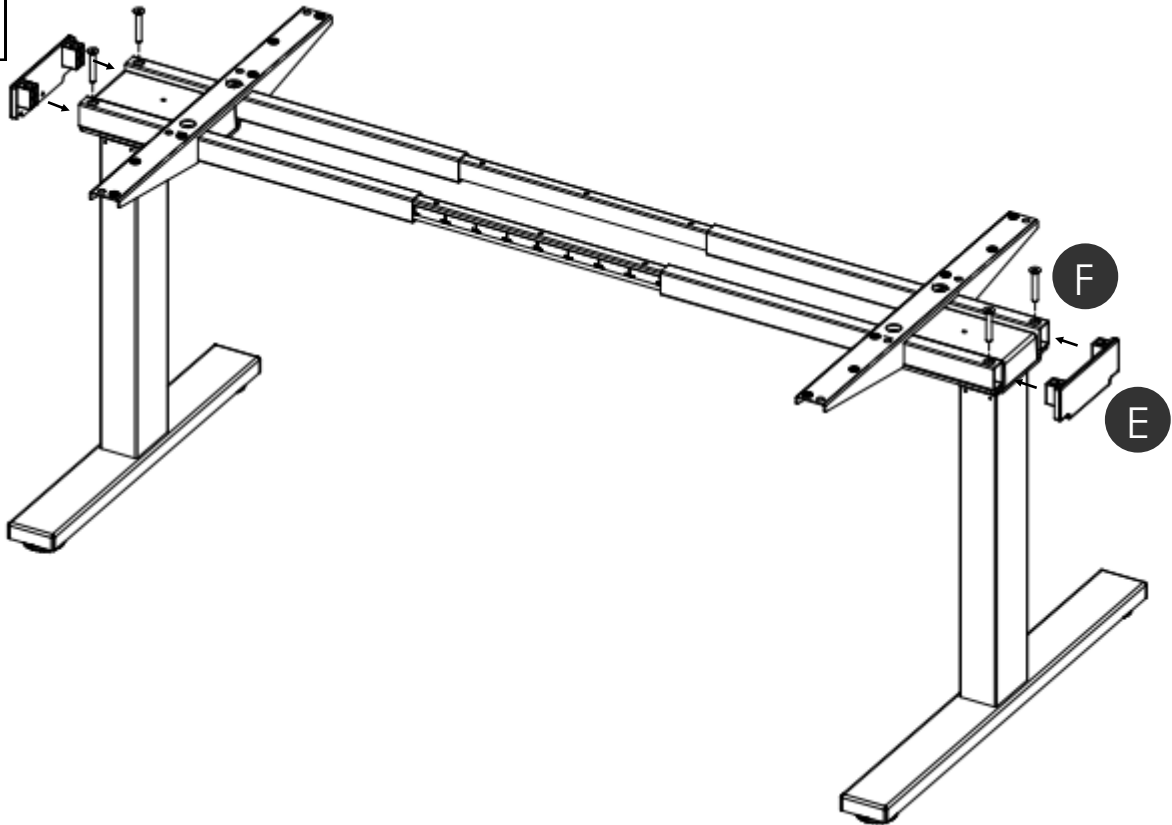


  Maximales Drehmoment : 12N-m

3.9 Montage der abdeckkap

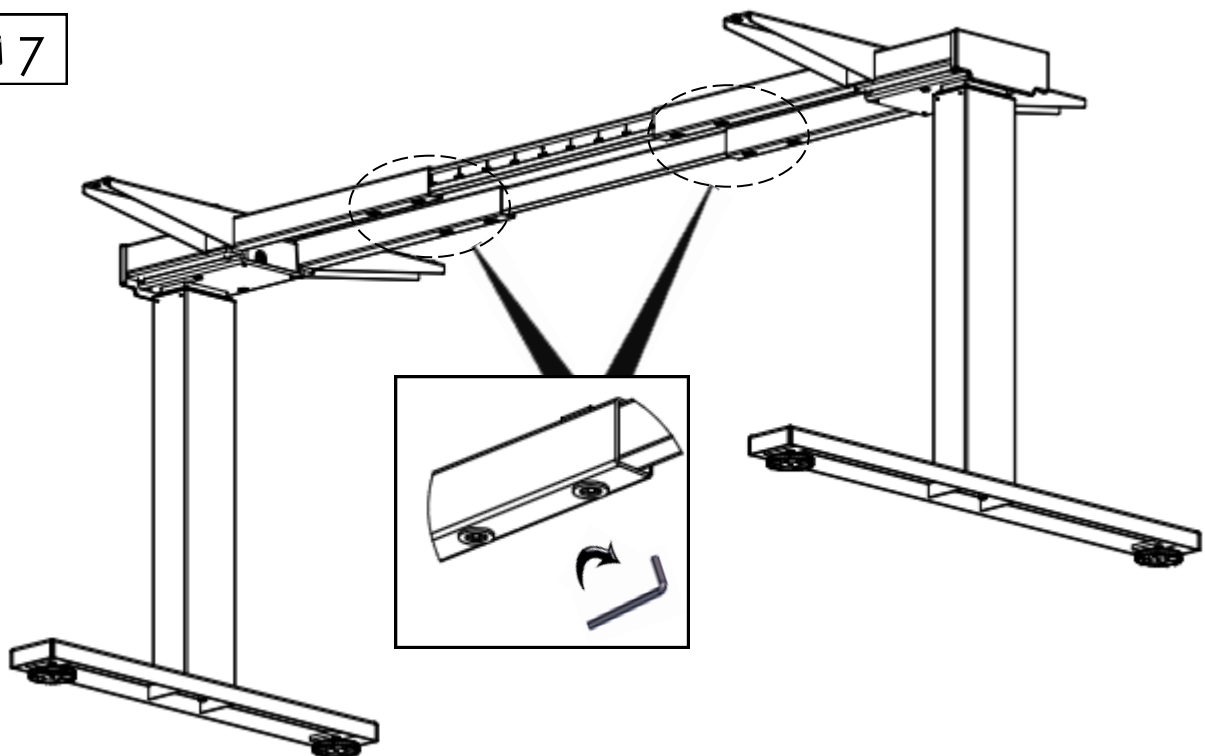
Deutsch

 6



3.10 Einstellen der Gestellbreite

 7



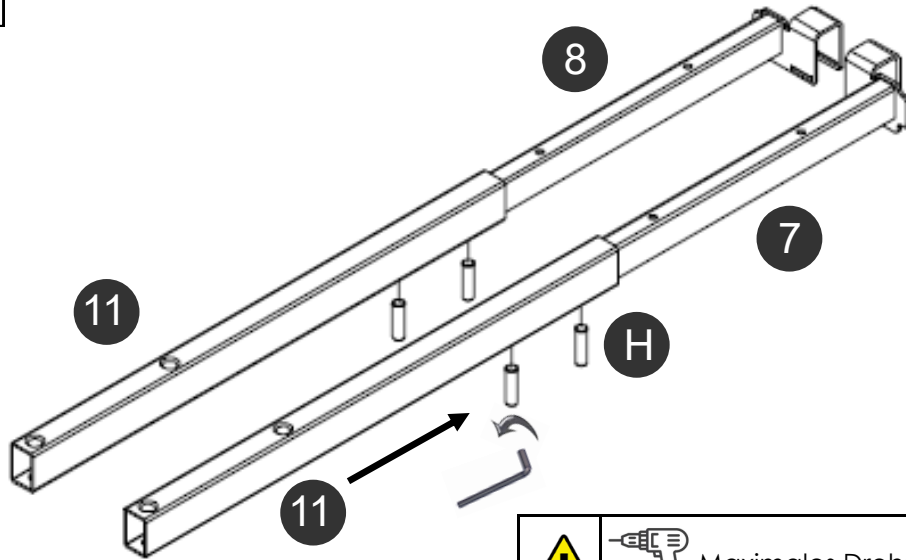
Maximales Drehmoment : 10N-m



Schieben bzw. drücken Sie das Gestell in die gewünschte Breite. Ziehen Sie mit Hilfe des Sechskantschlüssels die Gewindestifte an der Traverse.

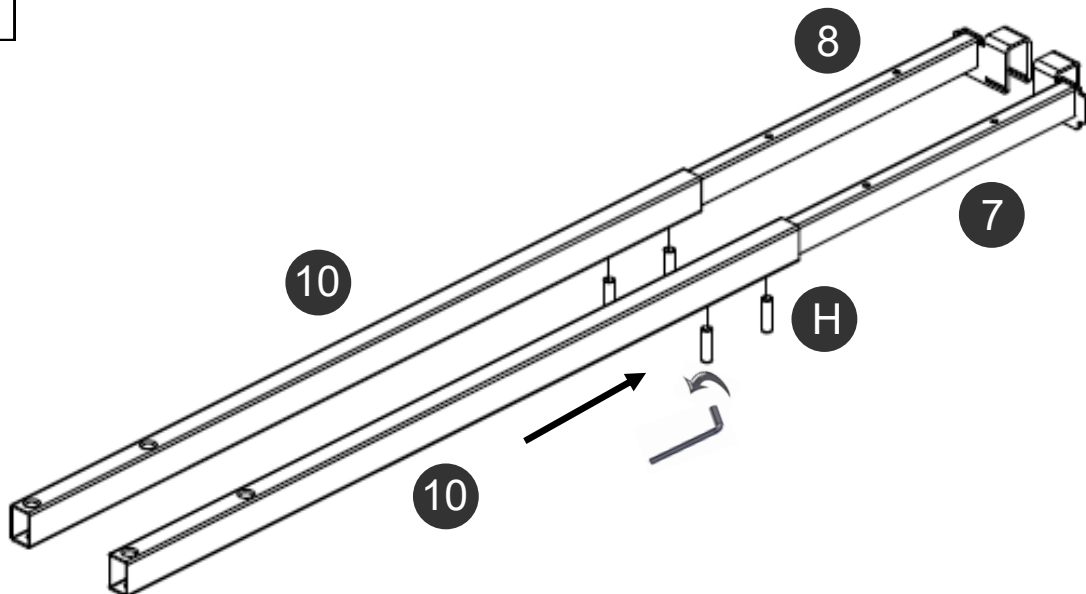
3.11 Vormontage der Traversen des angewinkelten Teils 1200-1400 mm

Deutsch



- Einstellen der Gestellbreite!
- Ziehen Sie die Stellschrauben nach der Montage der Bauteile an.

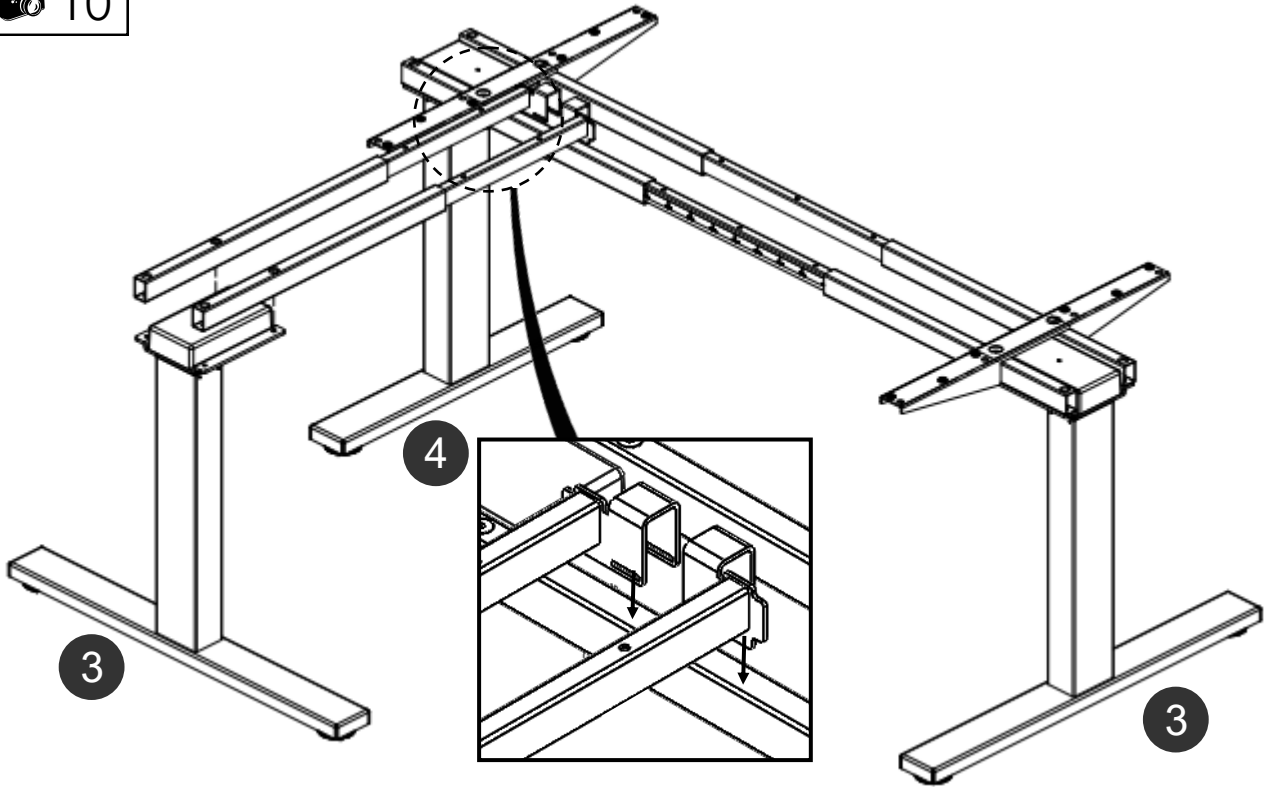
3.12 Optional 2 - Vormontage der Traversen des angewinkelten Teils 1600 – 1800 mm



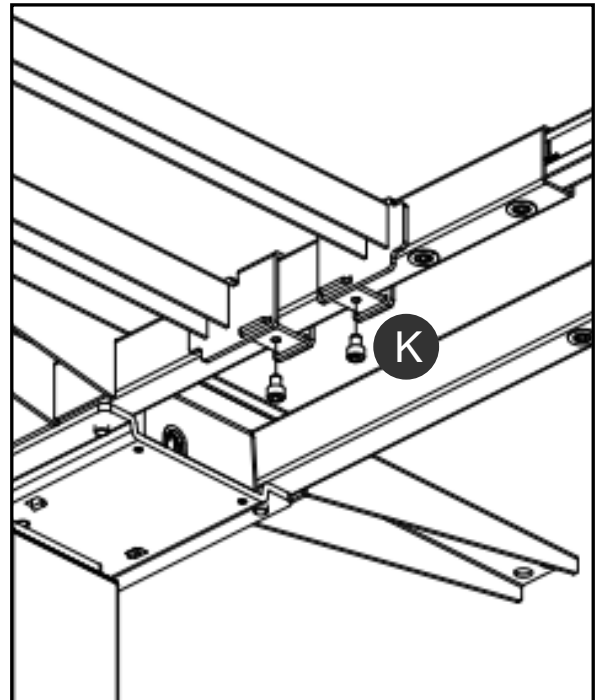
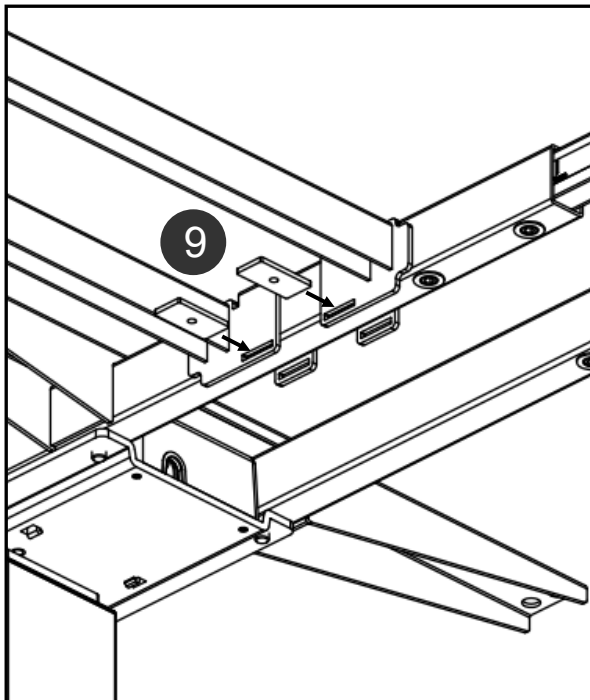
- Einstellen der Gestellbreite!
- Ziehen Sie die Stellschrauben nach der Montage der Bauteile an.

3.13 Montage der Traverse des angewinkelten Teils

Deutsch



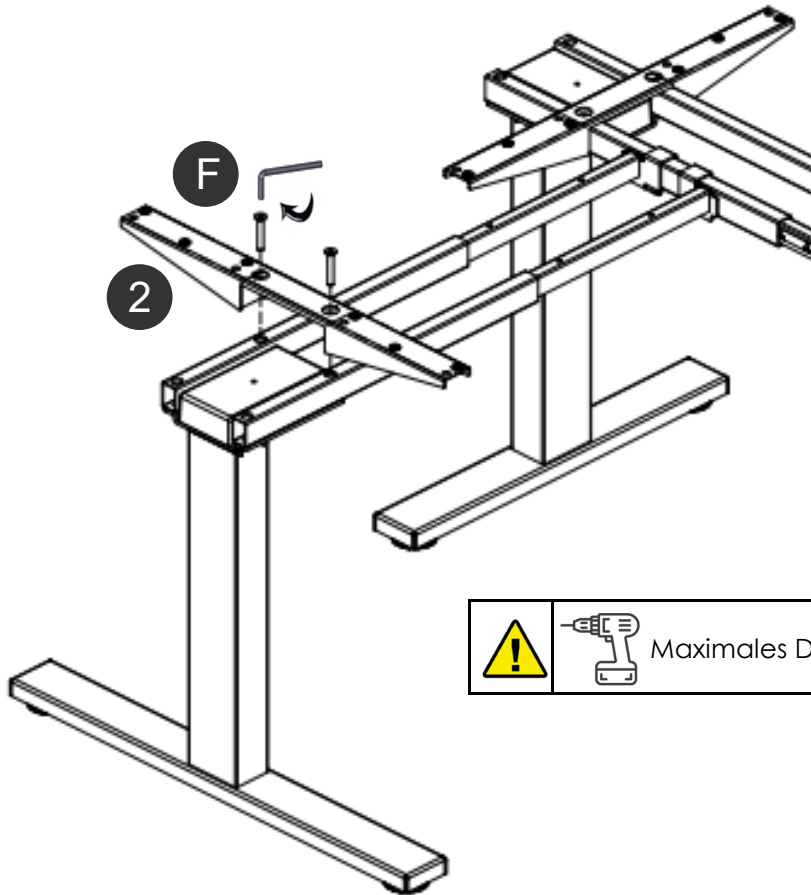
3.14 Montage des Halblechs



3.15 Montage der Plattenträger des angewinkelten Teils

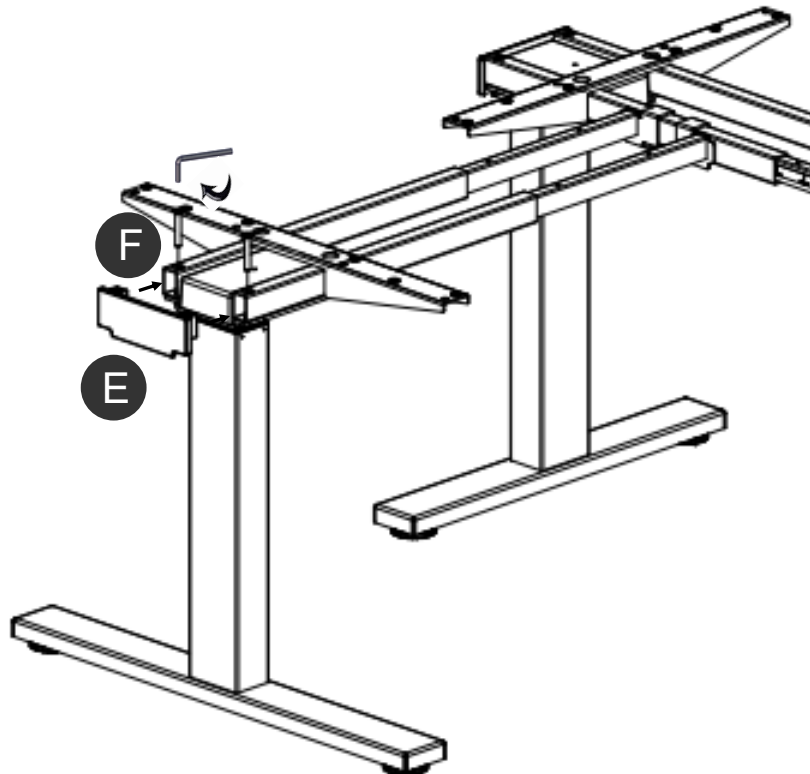
Deutsch

 12



3.16 Montage der abdeckkap des angewinkelten Teils

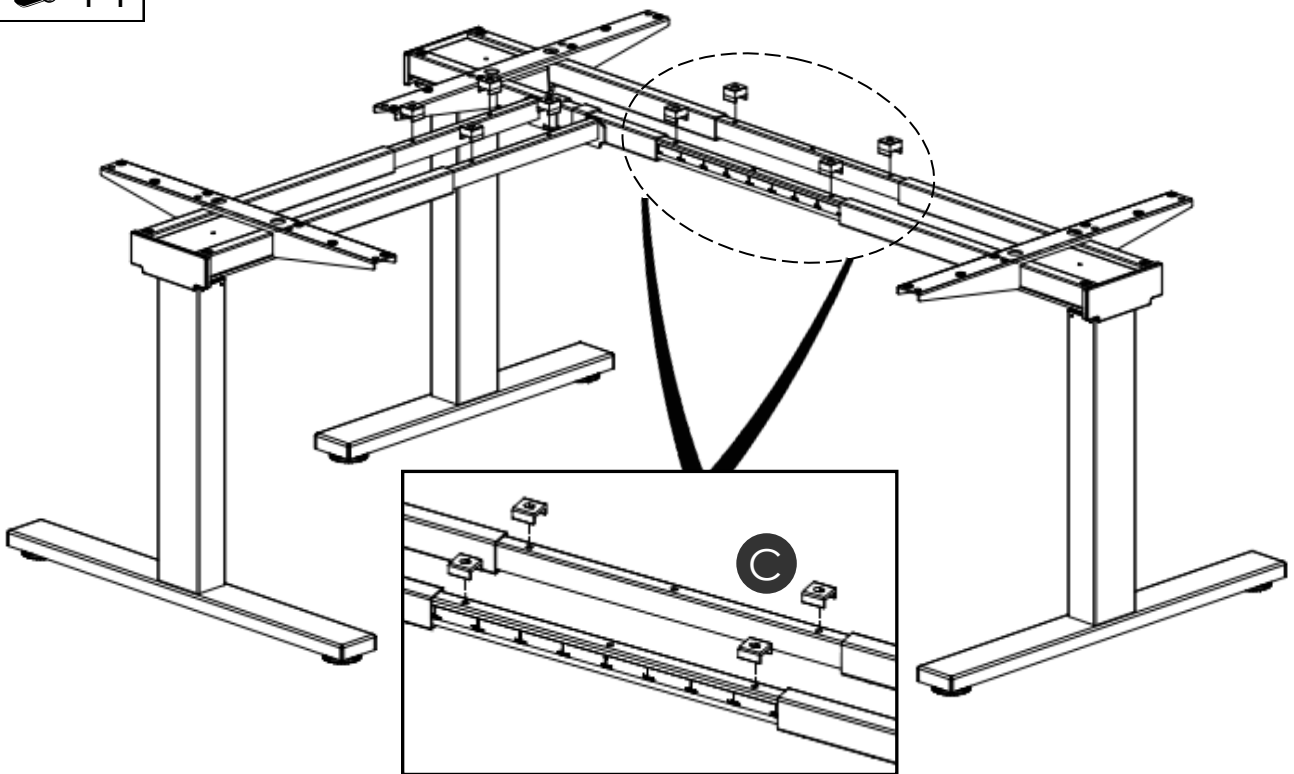
 13



3.17 Montage des Abstandhalters

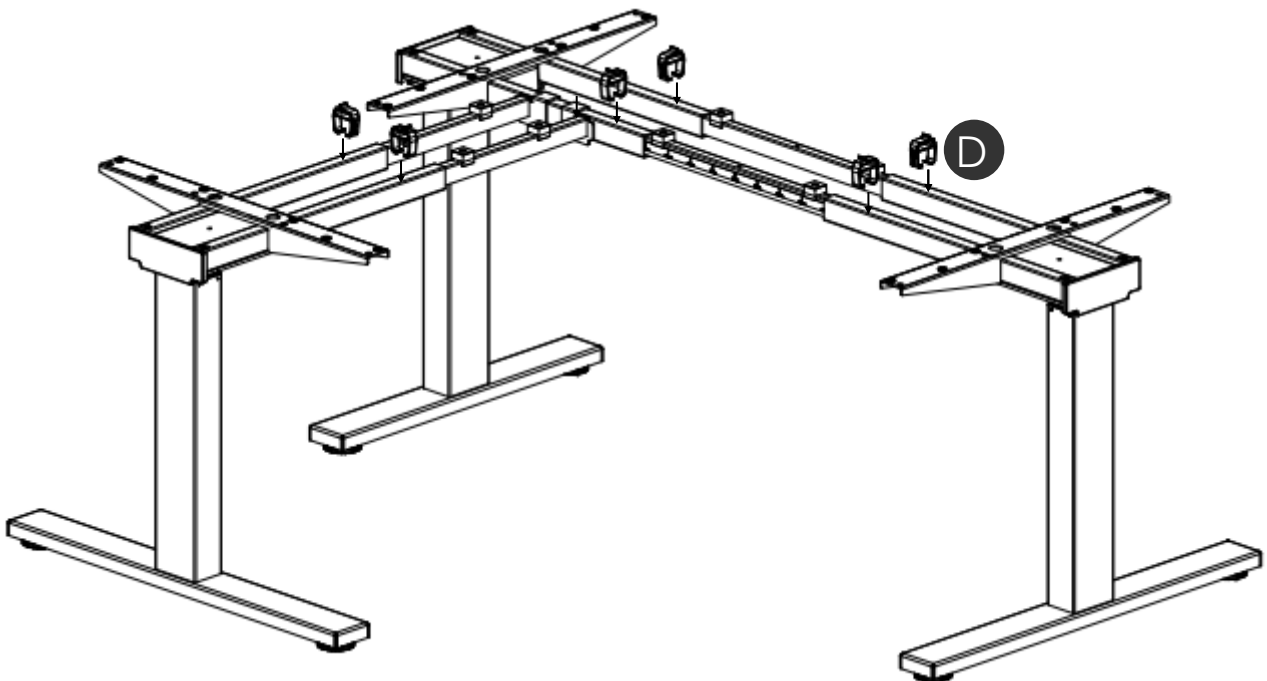
Deutsch

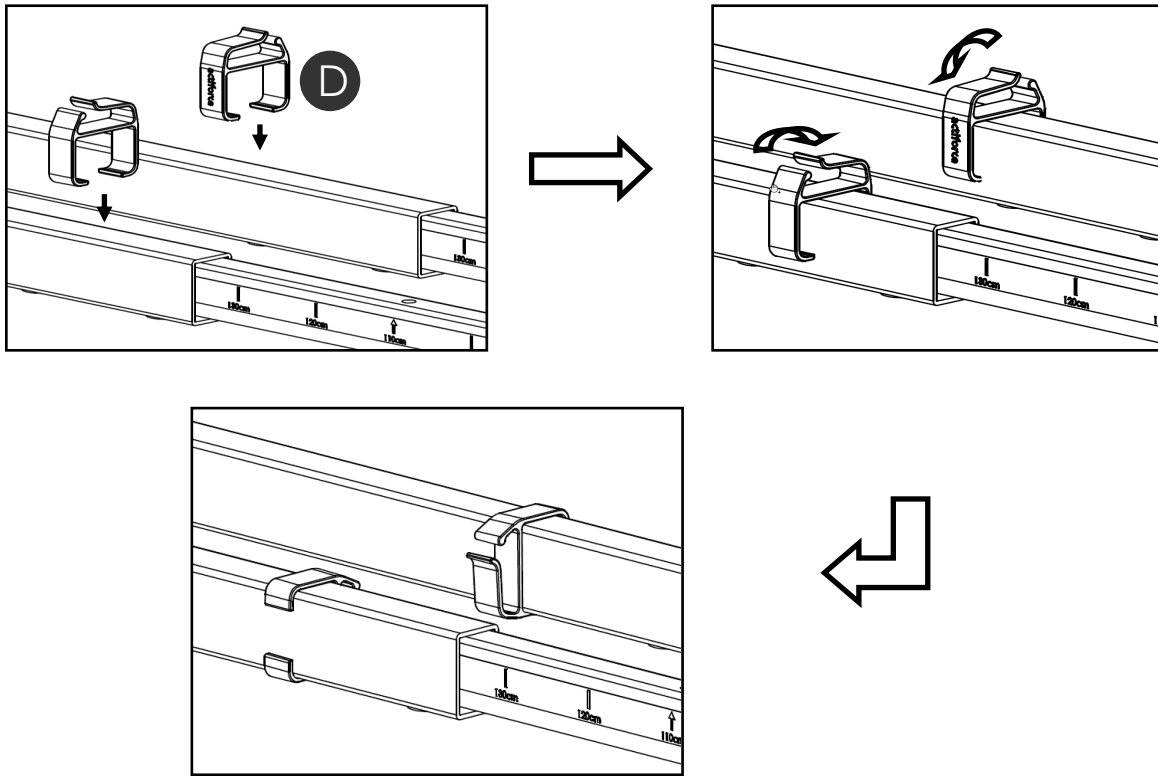
 14



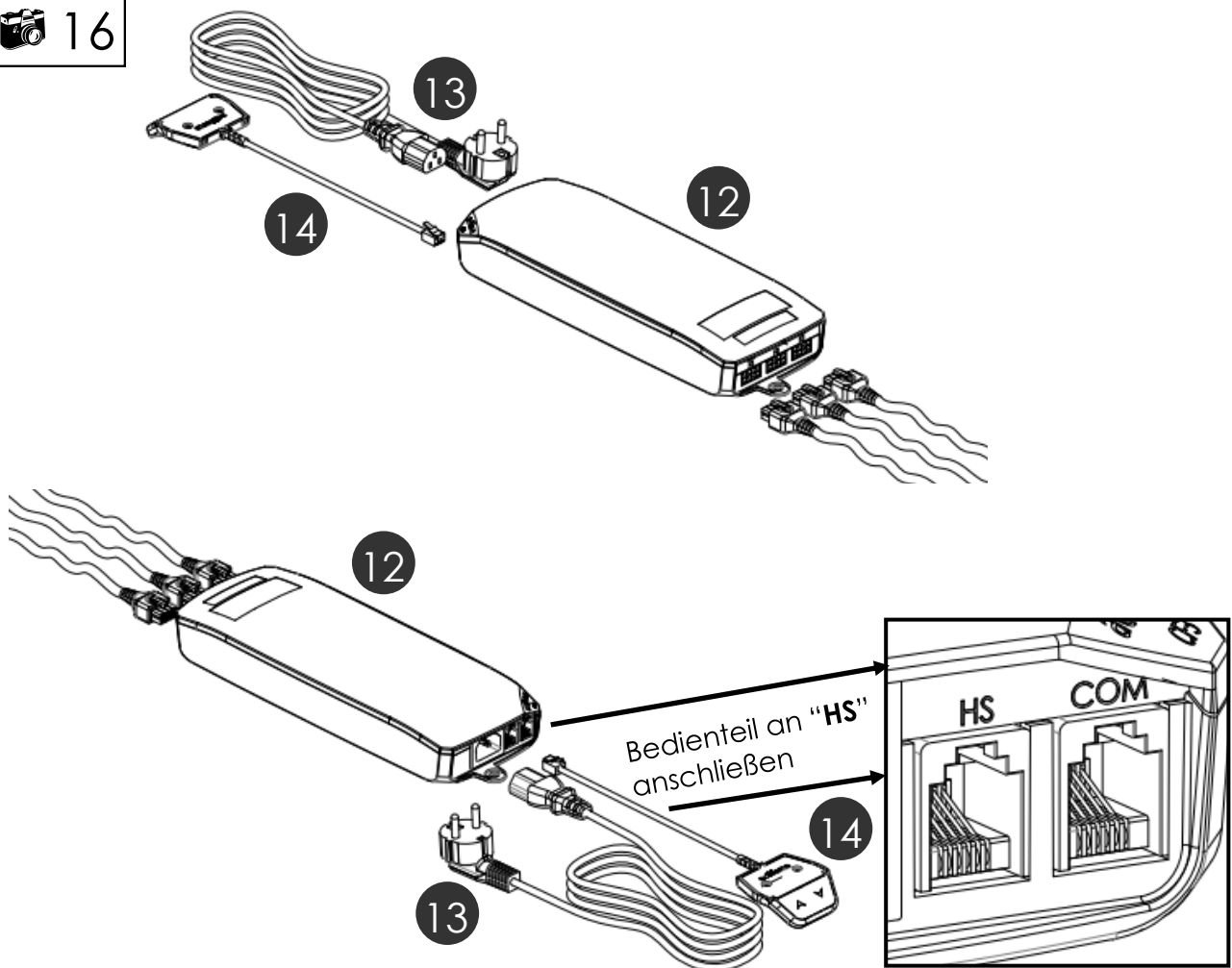
3.18 Montage der Kabelhalterungen

 15





3.19 Anschließen der elektrischen Bauteile

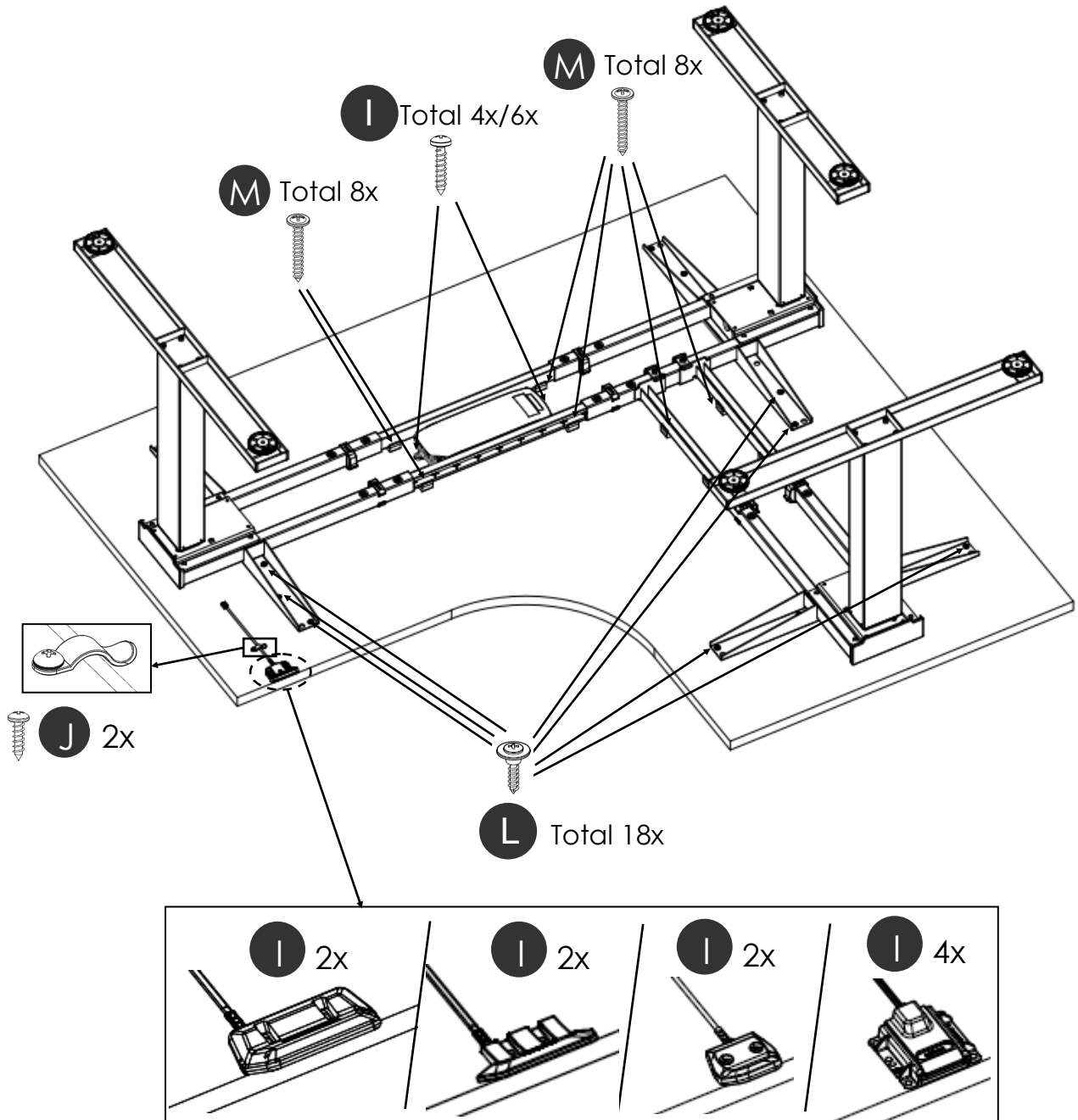


3.20 Montage der Tischplatte

3.21 Montage der Steuerung unter der Tischplatte



Beachten Sie, dass der Schreibtisch, den Sie montieren, höhenverstellbar ist. Die Kabel der elektrischen Bauteile müssen der Bewegung des Schreibtisches ungestört folgen können.



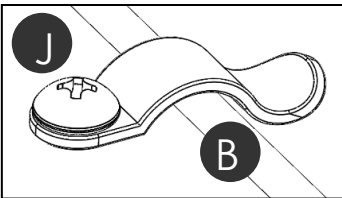
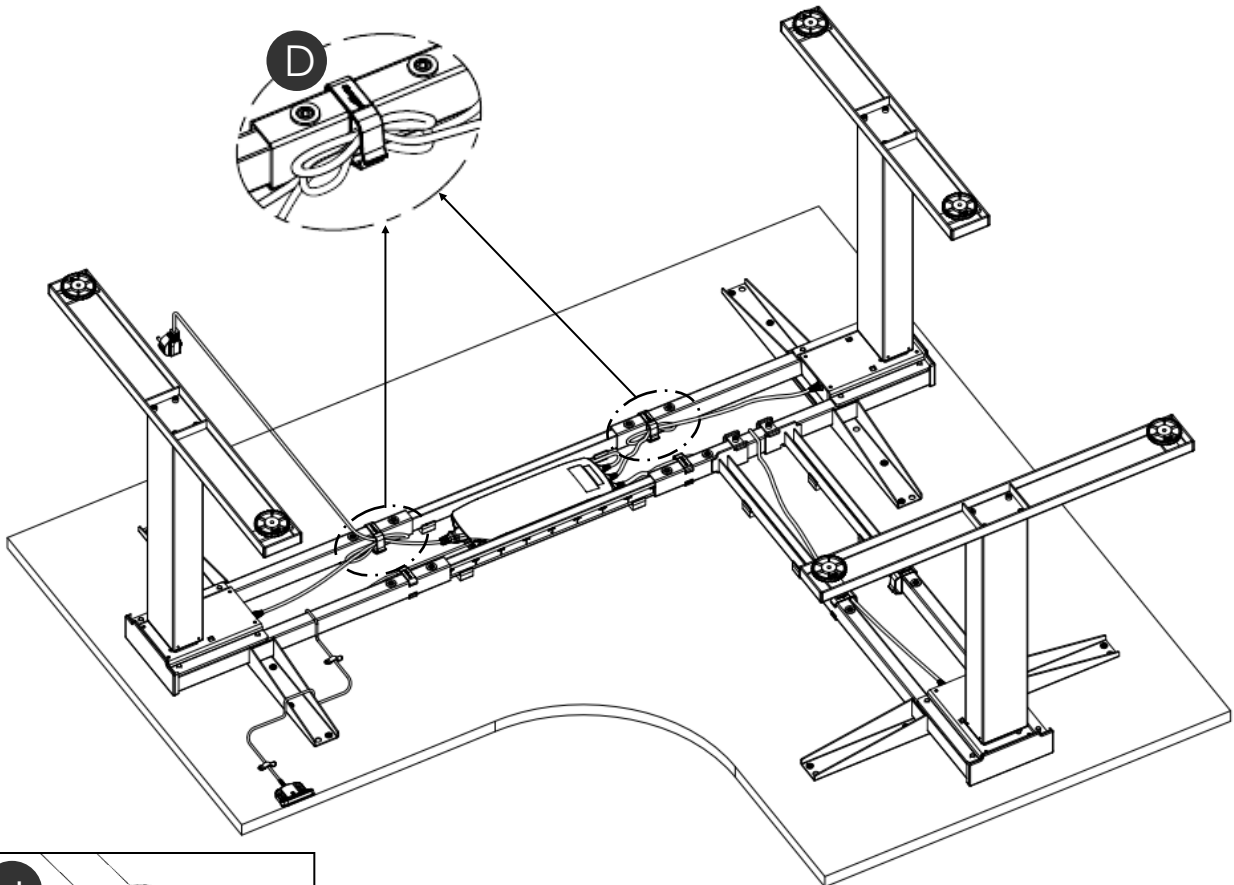
3.22 Montage der Kabelclip

Deutsch

18



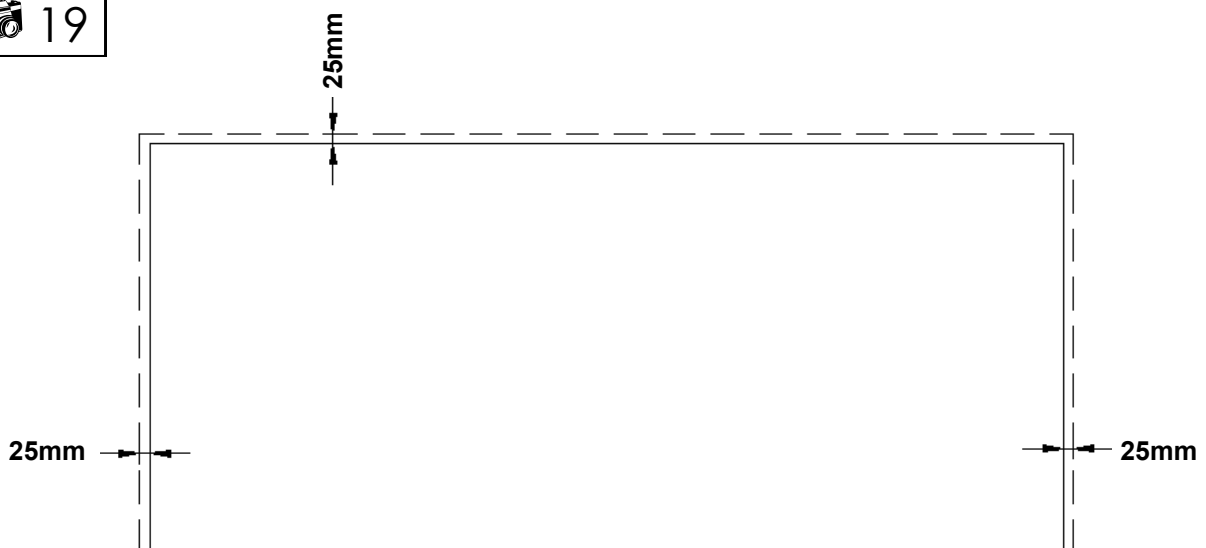
Lose kabel mit kabelbinder verbinden.






Montieren Sie die Kabelclips. Legen Sie das Kabel durch die einzelnen Kabelclips

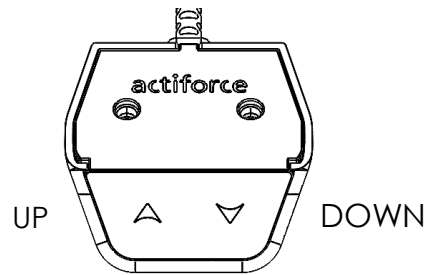
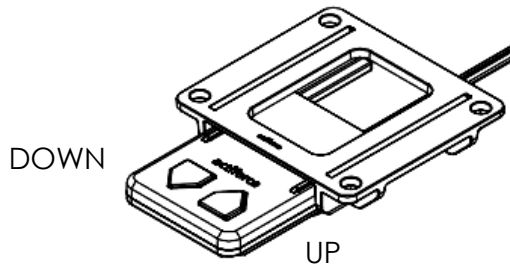
3.23 Sicherheitsabstand zur Wand oder beweglichen Teilen von 25 mm um die Tischplatte

19



Lassen Sie einen Sicherheitsabstand von 25 mm zwischen der Kante der Tischplatte und Wänden bzw. beweglichen Teilen frei.

	<p>Please make sure that the workstation frame can move freely and correct at all times.</p>
	<p>In case you need to disconnect cables from the electrical components always be sure to disconnect power first.</p>
	<p>In case the height adjustment is not operating normally, stop using the workstation frame immediately and disconnect the power. Get in contact with customer service for further advise</p>

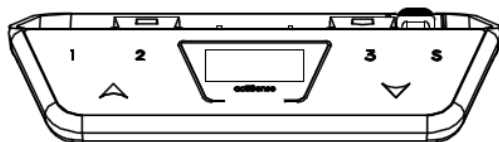


Reset Mode

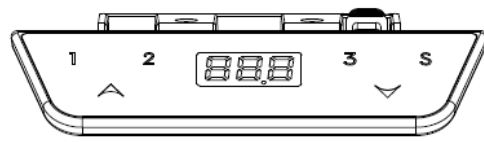
The first time you put in the plug of the power supply into the socket the height adjustment can only be operated in the reset-mode. As long as the reset-mode is enabled, the system can only move downward. In order to use the system normally, please follow the next steps:

- Press and hold the down-button, the system slowly moves downward.
- Please move the system to the lowest position. This position will be used as reference-point (zero-point).
- Keep the button pressed for a moment when the system has reached the lowest position. This will end the reset-mode.
- The system can be operated normally now. Press and hold the up- or down-button to move the system to the desired height. The system stops when you release the buttons.

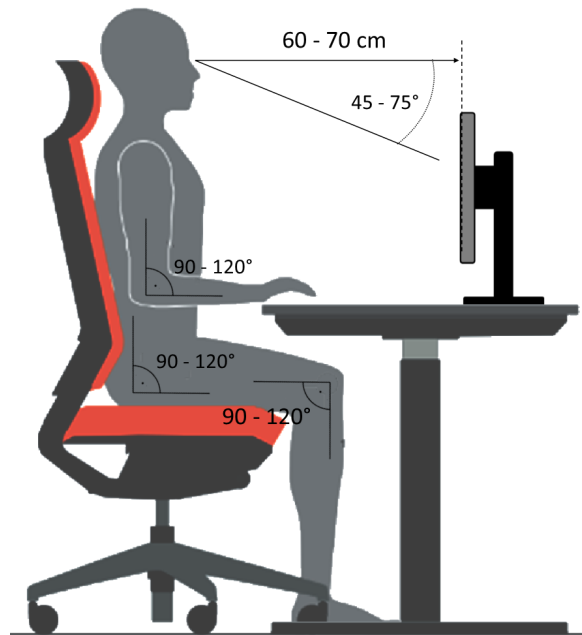
Functions of the Pro Memory (Optional)



For actiSwitch Pro Memory
Assembly Instruction, please refer to Manual
SLS-IM0061



For actiSwitch Eco Memory
Assembly Instruction, please refer to Manual
SLS-IM0081



Richtige Sitzhaltung

Falsches Sitzen kann zu Gelenk- und Sehnenschäden sowie Muskelschmerzen führen. Um dies zu vermeiden, müssen der Bürostuhl und der Schreibtisch richtig eingestellt werden.

Zusätzlich zu den folgenden Empfehlungen sollten Sie unbequeme Sitzhaltungen stets vermeiden. Wenn Sie das Gefühl haben, dass die folgenden Empfehlungen bei Ihnen zu einer unangenehmen Sitzhaltung führen, passen Sie diese einfach an Ihre Bedürfnisse an.

Bürostuhl

- Die Sitzhöhe muss so eingestellt werden, dass Ihre Knie in einem Winkel von 90–120° stehen, wenn Ihr Fuß flach auf dem Boden aufliegt.
- Für eine richtige Sitzhaltung muss Ihr unterer Rücken an der Rückenlehne anliegen. Stellen Sie die Sitztiefe ggf. so ein, dass die Sitzschale keinen Druck auf Ihre Unterschenkel ausübt.
- Sitzen Sie aufrecht, lehnen Sie sich jedoch in einer bequemen Position etwas zurück. Stellen Sie die Lendenstütze des Stuhls ggf. auf Ihre Körpergröße ein. Stellen Sie die Rückenlehne so ein, dass sie Ihren Oberkörper etwas nach vorne drückt, Ihnen aber noch genug Freiraum für Bewegungen lässt.
- Stellen Sie ggf. die Höhe der Armlehnen ein. Ihre Schultern sollten sich in einer entspannten Stellung befinden, wenn Ihre Arme die Armlehnen berühren.

Schreibtisch

- Stellen Sie die Tischhöhe erst ein, wenn Sie die richtige Sitzhaltung gefunden haben.
- Ihre Ellbogen sollten einen Winkel von 90–120° aufweisen, wenn Ihre Arme auf der Tischplatte aufliegen. Die Kante der Tischplatte sollte nicht gegen Ihre Arme drücken.

Geräte auf dem Schreibtisch

- Einfallendes Licht (Tageslicht oder Lampen) sollte Ihren Monitor in einem 90°-Winkel treffen.
- Stellen Sie die Monitorhöhe so ein, dass Sie etwas nach unten blicken müssen, um die Mitte des Bildschirms anzusehen.
- Halten Sie einen Abstand von 60–70 cm zum Bildschirm.
- Eine flache, schmale Tastatur hilft dabei, Ihre Handgelenke zu schonen.
- **Bitte beachten Sie die Empfehlungen in den Anleitungen Ihrer weiteren (ergonomischen) Ausrüstung.**

5 Technische Daten

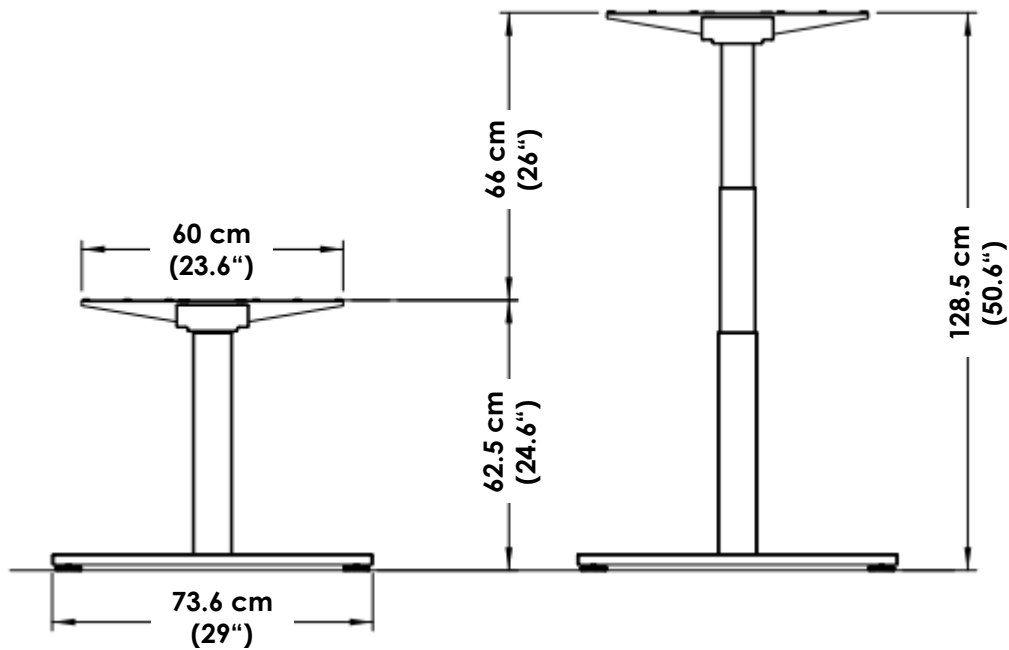
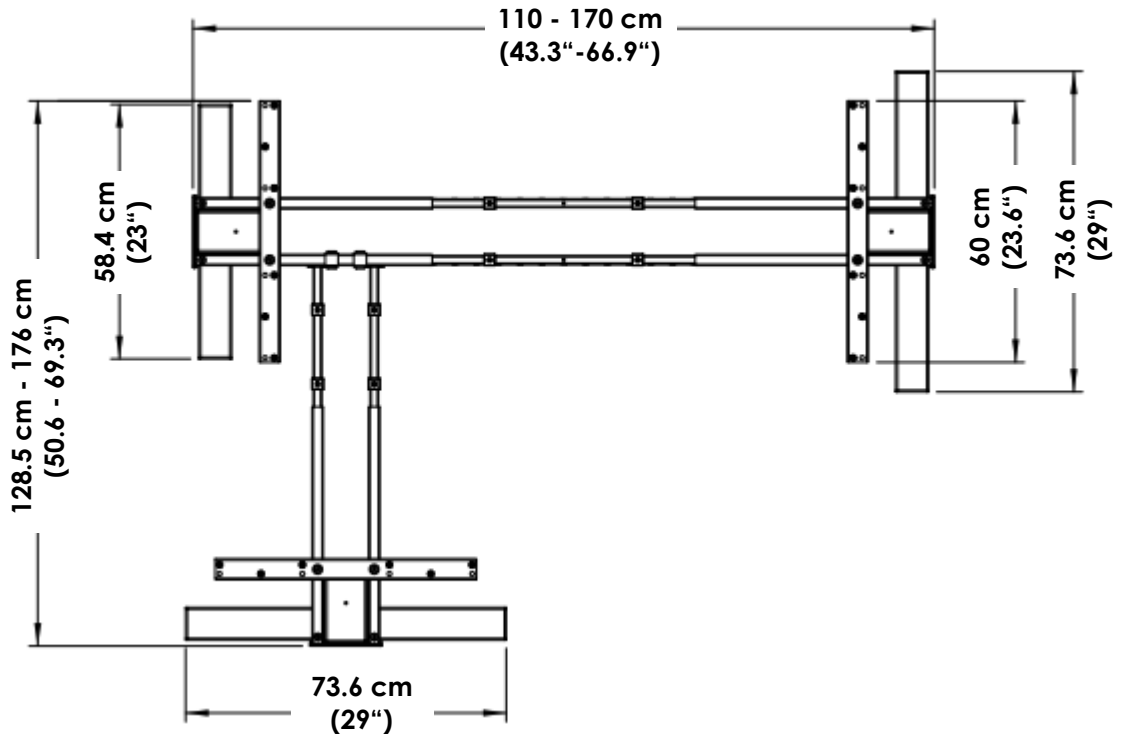
Deutsch

Tischgestell für Sitz-/Steharbeitsplatz

Version der Montageanleitung	SLS-IM0119-3EN-DE-NL-FR-HT
Veröffentlichungsjahr der Anleitung	2022
Ursprungsland	Malaysia
System	2-stufig
Material	Stahl, Kunststoff und Aluminium
Hub (max.)	660mm (26")
Gestellbelastung (max.)	150 kg
Gestellgewicht Steelforce Pro Highline 671 (60x90) 90° XL SLS EN527	± 45.5 kg
Geschwindigkeit mit Last	± 39 mm/s
Eingangsleistung ControlForce 3	100-240Vac, 50/60Hz, 5A max
Nutzungszyklus	10 % (2 Minuten an/18 Minuten aus)
Geräuschpegel	< 45 dB(A)
Umgebungstemperatur Betrieb	15 - 30°C
Umgebungstemperatur Lagerung	10 - 50°C
Luftfeuchtigkeit Betrieb	<85%
Luftfeuchtigkeit Lagerung	<50%
Maximale Lagerzeit	-
Gebrauch nur in Innenräumen!!!	


(* Allg. Toleranz = ± 10 mm)

Deutsch




Minimale Gestellhöhe	62.5 cm (24.6")
Maximale Gestellhöhe	128.5 cm (50.6")
Maximaler Hub	66 cm (26")
Gestellbreite	110-170 cm (43.3"-66.9")
Gestelltiefe	73.6 cm (29")
Minimale Tischplattentiefe	60 cm (23.6")
Maximale Gestellbelastung	150 kg

6 Betriebshinweise

	<p>Beachten Sie die Bestimmungen im Abschnitt 2 Sicherheitshinweise auf Seite 24, insbesondere:</p> <p>Lassen Sie keine Kinder unbeaufsichtigt mit dem Tischgestell. Kinder können die von diesem Tischgestell ausgehenden Gefahren nicht einschätzen. Kinder können sich erheblich verletzen, bis hin zur Todesfolge. Weitere Vorkehrungen als Schutzmaßnahme gegen die Benutzung durch Kinder sind nicht erforderlich.</p> <p>Überschreiten Sie nicht die maximale zeitliche Verzögerung des Gestells. Stellen Sie sicher, dass ausreichend Platz vorhanden ist, um Zusammenstöße zu vermeiden. Dies gilt insbesondere dann, wenn sich Gegenstände auf der Arbeitsfläche befinden, etwa Computer, Arbeitsmaterial etc.</p>
-----------------------------------------------------------------------------------	------------------------------------------------------------------------------------------------------------------------------------------------------------------------------------------------------------------------------------------------------------------------------------------------------------------------------------------------------------------------------------------------------------------------------------------------------------------------------------------------------------------------------------------------------------------------------------------------------------------------------------------------------------------------------------------------------------------------------

6.1 Fehlfunktionen

	<p>Entfernen Sie sich umgehend aus der unmittelbaren Umgebung des Gestells, wenn dieses sich ohne Bedienung bewegen sollte. Versuchen Sie auf keinen Fall, das Tischgestell zu verwenden.</p> <p>Nehmen Sie das Tischgestell sofort außer Betrieb, wenn ungewöhnliche Vorkommnisse (Geräusche, Qualm, Rauch, usw.) am Tischgestell entstehen sollten.</p> <p>Lassen Sie das Tischgestell durch einen Fachbetrieb reparieren. Nehmen Sie das Tischgestell erst wieder nach erfolgter Reparatur in Betrieb.</p> <p>Stellen Sie die Verwendung des Tischgestells umgehend ein, wenn die Sicherheitsvorrichtungen nicht mehr ordnungsgemäß arbeiten.</p>
-----------------------------------------------------------------------------------	------------------------------------------------------------------------------------------------------------------------------------------------------------------------------------------------------------------------------------------------------------------------------------------------------------------------------------------------------------------------------------------------------------------------------------------------------------------------------------------------------------------------------------------------------------------------------------------------------------------------------------------------------

7 Fehlerbehebung

Problem	Mögliche Ursache	Lösung
Gestell bewegt sich nicht.	Kabel oder Anschlüsse schadhafte.	Alle Anschlüsse prüfen. Stromzufuhr einwandfrei?
Gestell bewegt sich nicht.	Wenn die Anschlüsse kontrolliert wurden, kann das Bedienteil schadhafte sein.	Bedienteil austauschen.
Gestell bewegt sich nicht.	Fehler im Netzteil.	Neustart des Systems durchführen.

Sollte Ihr Problem nicht in der obigen Liste behandelt sein, setzen Sie sich bitte mit dem Kundendienst in Verbindung.

8 Kundendienst

Deutsch

Bei Inanspruchnahme des Kundendienstes bitte stets den Tischgestelltyp angeben.

Händler :

9 Hersteller

Actiforce International B.V.

Het Steenland 20
3751 LA Bunschoten-Spakenburg
The Netherlands

+31 (0)33 4600120
www.actiforce.com
info.holland@actiforce.com

10 Entsorgung

10.1 Außerbetriebnahme des Tischgestells

- Ziehen Sie den Netzstecker aus der Steckdose.

10.2 Tischgestell abbauen und ggf. zerlegen

- Zwecks Abbau und Zerlegung des Tischgestell setzen Sie sich ggf. mit dem Kundendienst Ihres Fachhändlers in Verbindung.

10.3 Entsorgung

- Demontieren Sie das Tischgestell nach Werkstoffen getrennt und entsorgen Sie diese umweltgerecht. Bitte nationale Vorschriften beachten!

10.4 WEEE - Elektro und Elektronikgeräte-Abfall

Elektro- und Elektronikgeräte (EEE) enthalten Materialien, Komponenten und Substanzen, die gefährlich sein können und eine Gefahr für die menschliche Gesundheit und die Umwelt darstellen, wenn Elektro- und Elektronik-Altgeräte (WEEE) nicht korrekt behandelt werden. Geräte, die mit der unten stehenden durchgestrichenen Mülltonne gekennzeichnet sind, sind Elektro- und Elektronikgeräte. Das Symbol der durchgestrichenen Mülltonne bedeutet, dass Elektro- und Elektronik-Altgeräte nicht zusammen mit ungetrenntem Hausmüll entsorgt werden dürfen, sondern getrennt gesammelt werden müssen.



Zu diesem Zweck haben alle lokalen Behörden Sammelsysteme eingerichtet, in deren Rahmen die Bewohner Elektro- und Elektronik-Altgeräte bei einem Recyclingzentrum oder anderen Sammelstellen abgeben können, oder die Elektro- und Elektronik-Altgeräte werden direkt bei den Haushalten abgeholt. Nähere Informationen erhalten Sie bei der technischen Verwaltung der jeweiligen Kommune. Nutzer von Elektro- und Elektronikgeräten dürfen Elektro- und Elektronik-Altgeräte nicht zusammen mit dem Hausmüll entsorgen. Die Bewohner müssen die kommunalen Sammelsysteme nutzen, um negative Umweltauswirkungen im Zusammenhang mit der Entsorgung von Elektro- und Elektronik-Altgeräten zu reduzieren und die Möglichkeiten zur Wiederverwendung, zum Recycling und zur Verwertung von Elektro- und Elektronik-Altgeräten zu erhöhen.

Hiermit erklären wir, dass das nachfolgend bezeichnete Gerät den einschlägigen EG-Richtlinien (insbesondere den unten benannten) entspricht und die Serie entsprechend gefertigt wird.

Artikelbezeichnung:	Electrical Height Adjustable Frame For Table		
Artikelnummer:	SLS73d15*079** <i>Das erste Symbol "*" kann sein 8 (Pro-Basic RJ11), 9 (Eco-Basic Slide RJ11), A (Pro Memory) oder E (Eco Memory).</i> <i>Das zweite Symbol "*" kann sein 11, 18, 29, 30, 78, 82, 83, 90, 94, J4 und etc.</i> <i>Das dritte Symbol "*" kann sein EU, NL, DE, DK, US, GB, WE, MY, CH, TA, TC, TG, TI, TD und etc.</i>		
Baureihe:	Steelforce Pro Highline 671 (60x90) 90° XL SLS EN527		
Typen:	Spindle Lift System		
Technische Daten:	Breite 1	:	1100 mm – 1700 mm
	Breite 2	:	1285 mm - 1760 mm
	Höhe	:	625 mm - 1285 mm
	Tiefe	:	736 mm
	System	:	2 stufig, Elektromotorisch
	Material	:	Stahl, Kunststoff und Aluminium
	Max. Nennlast	:	150.0 kg

Maßgebende EU-Richtlinien :
Maschinen-Richtlinien (2006/42/EC)
Elektromagnetische Verträglichkeit (2014/30/EU)
RoHS Richtlinie (2011/65/EU)

Die folgenden standardisierten Normen wurden angewandt :

EN 61000-3-2:2019 EN 61000-3-3:2013+A1:2019 EN 55014-1:2017 EN 55014-2:2017+A11:2020
 EN 60335-1:2012+A11:2014+A13:2017 EN 62233:2008 EN ISO 12100:2010 EN IEC 63000:2018

Andere verwendete technische Normen und Spezifikationen :

UL 962 47 CFR FCC Part 15 Subpart B ICES-003 IEC 60335-1

Anschrift des Importeur / Bevollmächtigter Vertreter : **Actiforce International BV**
Het Steenland 20
3751 LA Bunschoten-Spakenburg
Nederland

Importeur : **Holger Fricke**
 (Managing Director)

Diese Konformitätserklärung wird unter der alleinigen Verantwortung des Herstellers ausgestellt.
 Unterzeichnet im Namen von Actiforce Mechatronics Technology (M) Sdn Bhd.

Unterschrift : 
Name : **Thomas Weidmann**
 (R&D Director)

Datum : **18/Apr/2022**

Region : **Penang, Malaysia**

1 Algemeen

1.1 Waarde van de montage- en gebruikershandleiding

Kennis van de basisveiligheidsinformatie en de voorschriften zijn de leidraad voor een veilige en probleemloze toepassing van deze werktafel. Deze montage- en gebruikershandleiding bevat de belangrijkste informatie die nodig is voor het veilig monteren en gebruiken van het tafelframe. Deze montage- en gebruikershandleiding, en in het bijzonder de veiligheidsinformatie, moet als leidraad dienen voor de persoon die het frame gaat monteren en in gebruik gaat nemen. Wat nog belangrijker is, zijn de regels en de voorschriften die van toepassing zijn voor het voorkomen van ongevallen die tijdens de montage van de werktafel altijd nageleefd moeten worden.

1.2 Beoogd gebruik

Het tafelframe mag alleen worden gebruikt in kantoren of andere afgesloten ruimten als in hoogte zijnde verstelbare werktafel voor zittend of staand gebruik. Het tafelframe is alleen voor dit doeleinde bedoeld. Elk ander gebruik dan het bovenstaande is ongepast. De fabrikant kan op geen enkele manier aansprakelijk worden gesteld voor schade die voortvloeit uit onjuist gebruik.

Dit apparaat kan worden gebruikt door kinderen vanaf 8 jaar en personen met beperkte lichamelijke, zintuiglijke of geestelijke vermogens of gebrek aan ervaring of kennis, mits ze onder toezicht staan of instructies hebben gekregen om dit apparaat veilig te gebruiken en de gevaren te herkennen en te begrijpen. Kinderen moeten tijdens het gebruik onder toezicht staan zodat ze niet met het apparaat kunnen spelen. Reiniging en onderhoud mogen niet zonder toezicht door kinderen worden uitgevoerd.

Beoogd gebruik houdt ook in:

- Het bestuderen van alle informatie uit de montage- en bedieningshandleiding en
- Het verbod op elke vorm van uitbreiding/aanpassing van de werktafel.

1.3 Onjuist gebruik

- Gebruik het tafelframe nooit als lift voor mensen of goederen.
- Overschrijd niet het maximale draagvermogen van het tafelframe.
- Bedien de werktafel alleen met het inbegrepen bedieningspaneel.

1.4 Gevaar

Een verkeerde aansluiting van de aardgeleider van het werkstationframe kan een elektrische schok veroorzaken. Raadpleeg een erkende elektricien als u twijfelt of het product op de juiste manier is geaard. Breng geen veranderingen aan de bij het product geleverde stekker aan. Als de voedingskabel beschadigd is, moet deze worden vervangen door een speciale kabel of set die verkrijgbaar is bij de fabrikant of diens servicevertegenwoordiger.

WAARSCHUWING: Wijzigingen of aanpassingen die niet uitdrukkelijk door de fabrikant zijn goedgekeurd, kunnen ertoe leiden dat het recht van de gebruiker om de apparatuur te gebruiken vervalt.

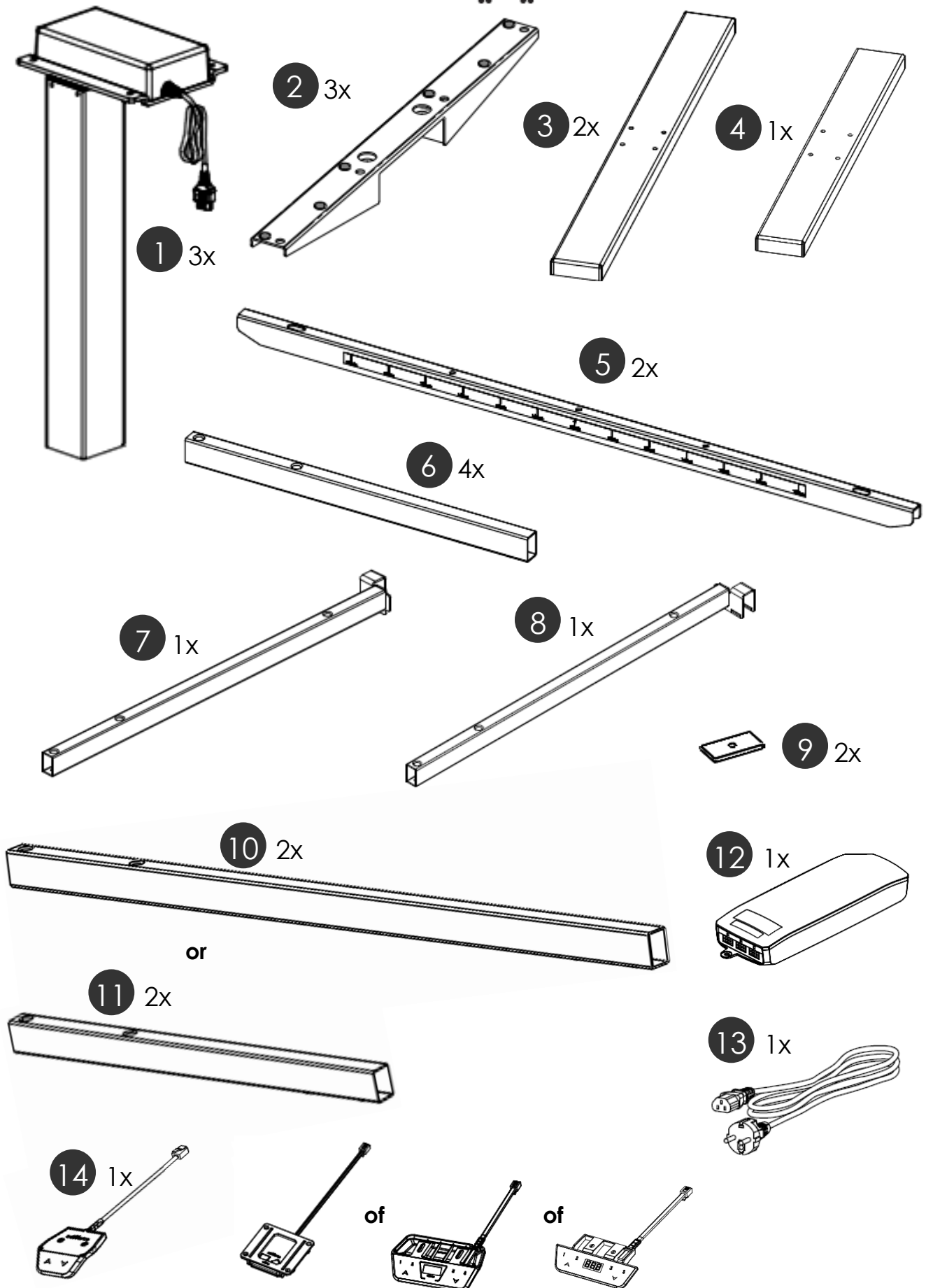
1.5 Inhoud verpakking

Nederlands

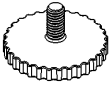
Onderdelen



Monteer het frame met twee personen.



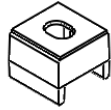
A 6x



B 2x



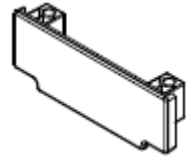
C 8x



D 8x



E 3x

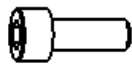


F 12x



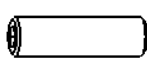
M8x50

G 12x



M6x16

H 12x



M10x35

I 4x
6x



4.5x20

J 2x



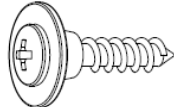
4.5x16

K 2x



M6x8

L 18x



4.5x20

M 8x





4x30

Inbussleutel



2.1 Verklaring van symbolen en instructies


In deze handleiding worden de volgende aanduidingen en symbolen voor gevaren gebruikt:

	<p>Dit symbool betekent een rechtstreeks dreigend gevaar voor leven en gezondheid van personen. Het niet in acht nemen van deze instructies kan ernstige schade aan de gezondheid toebrengen en zelfs levensgevaarlijk lichamelijk letsel of de dood tot gevolg hebben.</p>
	<p>Dit symbool verwijst naar een belangrijke instructie. Het niet in acht nemen ervan kan tot schade aan de tafel leiden.</p>

2.2 Gebruikte symbolen op het frame

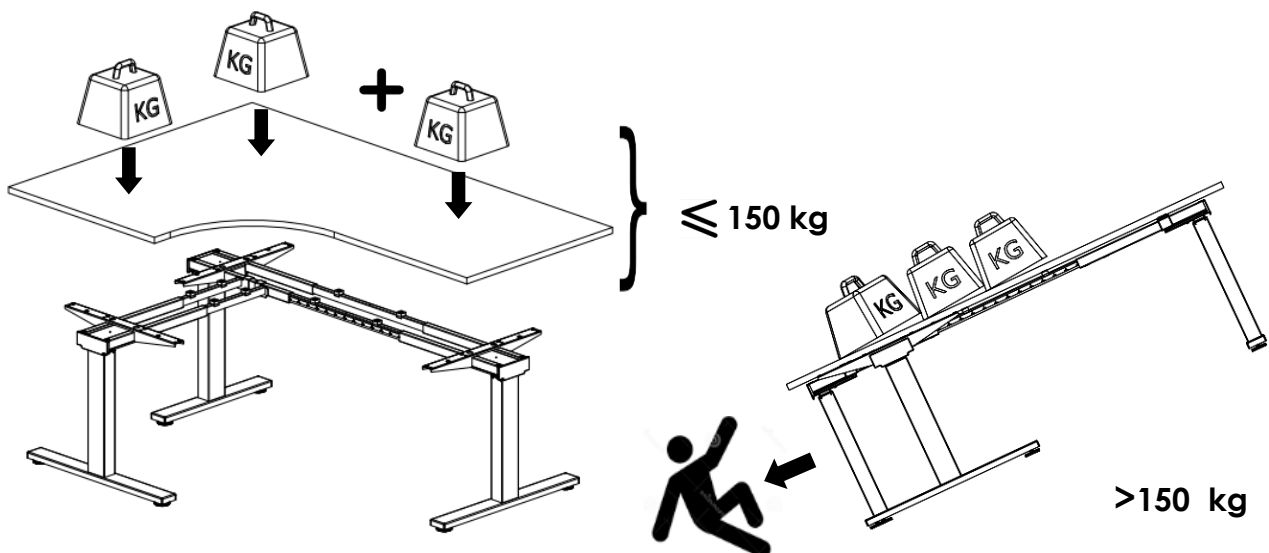
	<p>Leg geen voorwerpen of lichaamsdelen onder het frame of tussen de onderdelen van de crossbar. Er bestaat risico op ernstig lichamelijk letsel.</p>
-----------------------------------------------------------------------------------	-------------------------------------------------------------------------------------------------------------------------------------------------------

2.3 Maximaal toegestaan gewicht op het frame

	<p>De maximale toegestane belasting van 150 kg (inclusief tafelblad) op het frame niet overschrijden. Vermijd onevenwichtige belasting, verdeel het gewicht gelijkmatig anders kan overbelasting optreden. Overbelasting van een frame kan schade veroorzaken en personen in de nabije omgeving kunnen als gevolg hiervan ernstige verwondingen oplopen.</p>
-----------------------------------------------------------------------------------	--------------------------------------------------------------------------------------------------------------------------------------------------------------------------------------------------------------------------------------------------------------------------------------------------------------------------------------------------------------

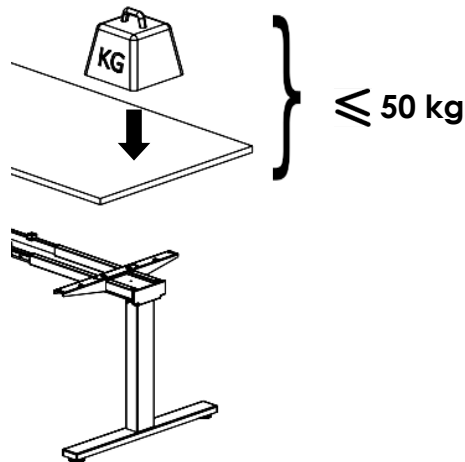
Voorbeeld :

	<p>Het gewicht moet gelijkmatig verdeeld worden.</p>
-------------------------------------------------------------------------------------	------------------------------------------------------





De maximale toegestane belasting van 50 kg (inclusief tafelblad) op een kolom niet overschrijden. Overbelasting van een frame kan schade veroorzaken en personen in de nabije omgeving kunnen als gevolg hiervan ernstige verwondingen oplopen.



2.5 Organisatorische maatregelen

- Monteer het frame bij voorkeur met twee personen. Vooral het draaien van het frame met het gemonteerde werkblad moet door twee personen geschieden!

2.6 Informele veiligheidsmaatregelen

- Bewaar de montage- en bedieningshandleiding altijd op de plaats waar het frame wordt gebruikt.
- Zorg ervoor dat alle veiligheids- en risico-instructies op het frame leesbaar blijven en vervang deze eventueel.

2.7 Vereisten aan de monteurs

- Alleen personen ouder dan 16 jaar mogen het frame opbouwen en eraan werken.
- De hierboven genoemde personen moeten de montage- en bedieningshandleiding hebben gelezen en begrepen.

2.8 Transport en montage

- Verplaats het frame uitsluitend met twee personen en in ingeschoven toestand.
- Sleep of duw het frame niet over de vloer.
- Monteer het frame uitsluitend met behulp van het meegeleverde gereedschap.

2.9 Gebruik van het frame

- Laat kinderen niet zonder toezicht het frame gebruiken. Kinderen zijn niet in staat om de gevaren van het frame in te schatten. Ze lopen hierdoor groot risico op ernstig letsel, mogelijk zelfs met fatale gevolgen. Zorg er in ieder geval voor dat het frame niet verder versteld kan worden indien het toch door kinderen wordt gebruikt.
- Gebruik het frame uitsluitend in een hiervoor geschikte omgeving.
- Gebruik het frame niet op een oneffen ondergrond. Het frame staat dan niet stevig en er bestaat gevaar voor kantelen.
- Zorg ervoor dat de maximale belasting van het frame nooit overschreden wordt.

2.10 Specifieke gevaren

- Bij het afstellen van de hoogte van het frame is er kans op letsel. Zorg ervoor dat zich niemand anders in de directe omgeving van het frame bevindt.
- Zorg bij het monteren van het frame voor voldoende ruimte om botsingen in alle mogelijke richtingen te voorkomen (bijv. schuin dak, vaste voorwerpen, archiefkasten, prullenbakken etc.).
- Zorg voor voldoende ruimte om botsingen te voorkomen indien zich voorwerpen, zoals computers of randapparatuur, op het werkblad bevinden.
- Zorg voor een vrije ruimte van tenminste 25 mm tot alle andere meubels rondom het frame.

2.11 Instructies voor noodgevallen

- Stel het frame onmiddellijk buiten bedrijf wanneer er zich iets ongebruikelijks bij het frame voordoet (vreemde geluiden etc.).
- Laat het frame door een gespecialiseerd bedrijf repareren. Neem het frame pas weer in gebruik nadat het gerepareerd is.

2.12 Onderhoud en instandhouding

- Het frame en de onderdelen ervan zijn onderhoudsarm en vereisen geen speciaal regelmatig onderhoud.
- Voer zelf geen reparaties uit aan de tafel of de onderdelen.
- Wijzig niets aan de constructie van de tafel of het frame.
- Vervang defecte onderdelen uitsluitend door nieuwe originele onderdelen van de fabrikant. Gebruik alleen originele vervangingsonderdelen vervaardigd door de fabrikant. Laat het vervangen van defecte onderdelen over aan een gespecialiseerd bedrijf. Deze montage- en bedieningshandleiding moet hierbij in acht genomen worden.

2.13 Reiniging

- Haal het werkstation altijd uit het stopcontact voordat u het schoonmaakt.
- Verwijder eenmaal per week het stof van het frame met een droge doek.
- Maak het frame om de twee weken schoon met een vochtige doek en een niet agressief schoonmaakmiddel.

2.14 Overige risico's

Dit frame is gebouwd volgens de laatste stand van de techniek en de erkende veiligheidstechnische normen. Desondanks kunnen er bij gebruik ervan gevaar voor gezondheid en veiligheid van de gebruiker of derden, respectievelijk schade aan het frame of aan andere voorwerpen van waarde ontstaan. Het frame mag uitsluitend worden gebruikt:

- Overeenkomstig het beoogde doel.
- In veiligheidstechnische perfecte toestand.

3 Montage

Nederlands



Let vóór iedere montage op de veiligheidsinstructies van hoofdstuk 2.

3.1 Controleren op volledigheid van levering

- Maak de kartonnen verpakking voorzichtig open.
- Gebruik hiervoor geen lange messen. Deze kunnen de onderdelen in de verpakking beschadigen.
- Controleer de onderdelen op volledigheid zoals beschreven in hoofdstuk 1.5, Inhoud.
- Probeer het frame niet te monteren bij schade of onjuiste onderdelen.

3.2 Verpakking en verwijdering

- Verwijder de verpakking. Voer deze af als huishoudelijk afval/oud papier.
- Neem de desbetreffende landelijke wetgeving in acht.

3.3 Draaimomenten van de gebruikte schroeven

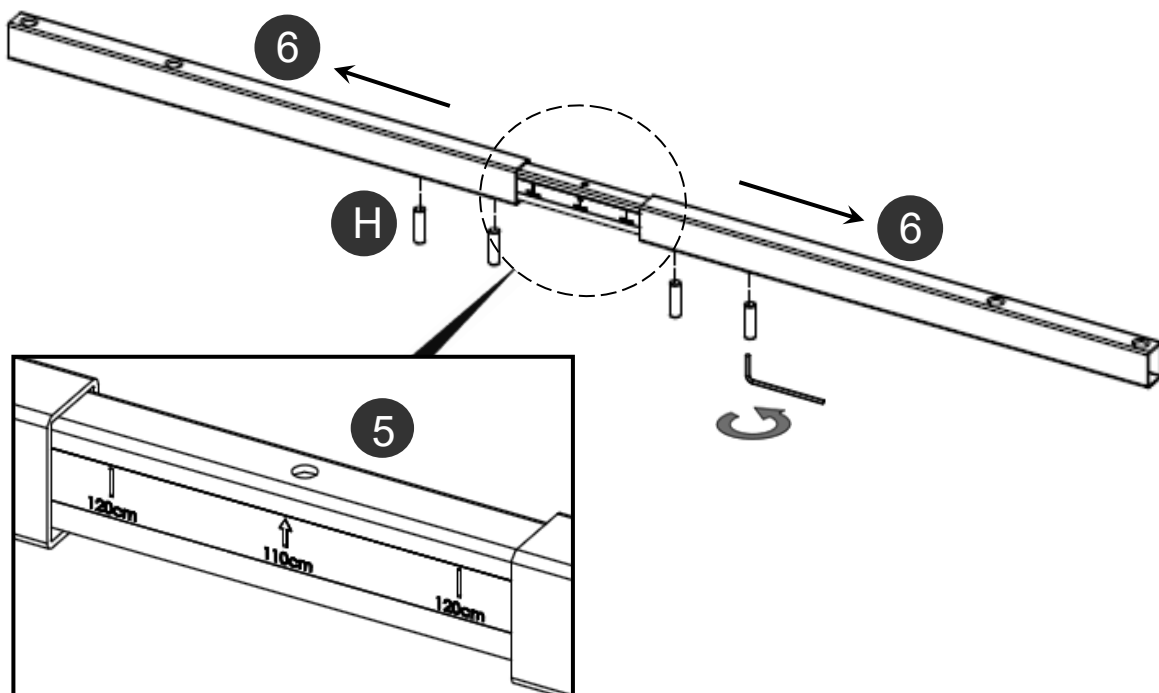
- Monteer het frame uitsluitend met het meegeleverde gereedschap.

3.4 Voormontage van de crossbar voor 110 cm en 120 cm

Aanbevolen werkbladen			
Frame-breedte	Werkblad breedte	Werkblad diepte	werkblad dikte
110 cm	120 cm	80 cm	2.5 cm
120 cm	130 cm	80 cm	2.5 cm



1



Schuif het frame uit tot de gewenste breedte.
Draai de stelschroeven met behulp van de inbussleutel M5 vast op de crossbar.

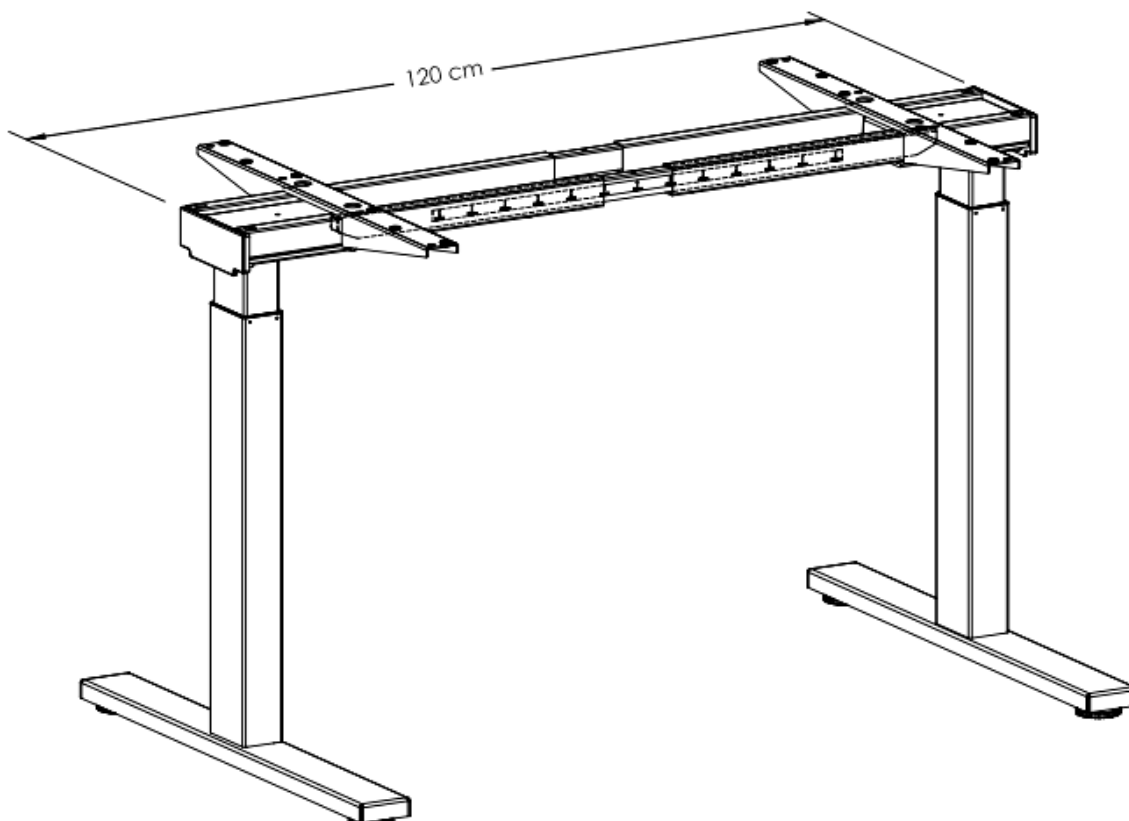
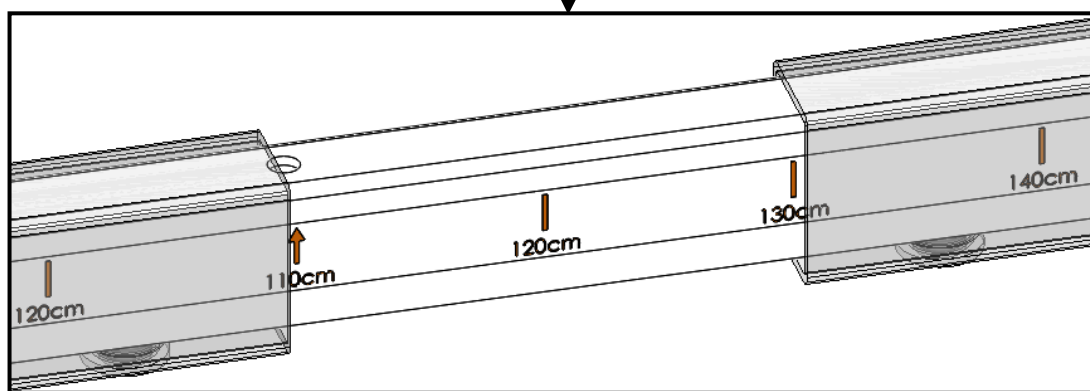


Maximale Schroefkoppel : 10N-m

3.5 120cm Frame instelling

 Frame instellen op 120cm - verschuif de binnenste crossbar tot 110 cm en 130cm zoals weergegeven in onderstaande afbeelding.

 2

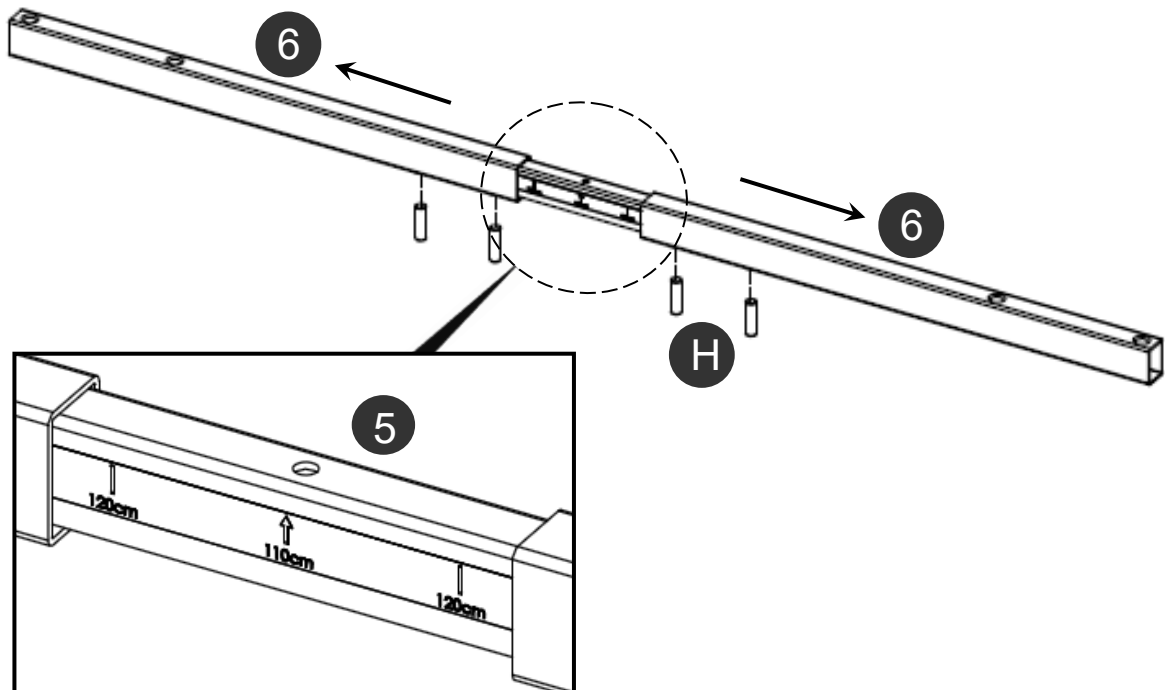


3.6 Voormontage van de crossbar voor 130 cm, 150 cm en 170 cm

Nederlands

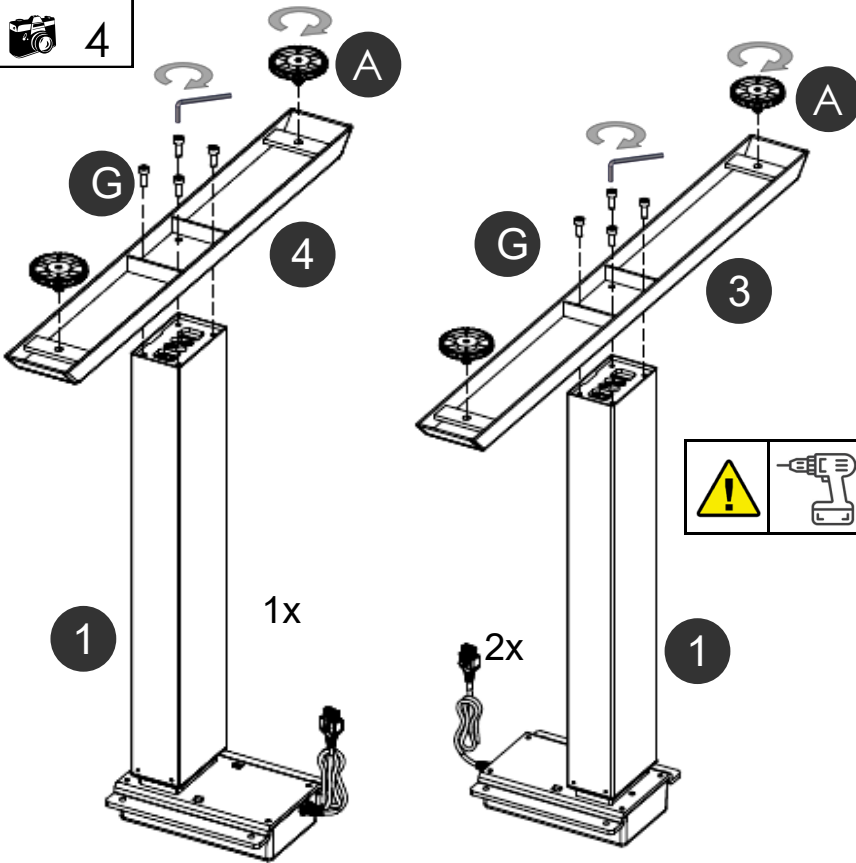
Aanbevolen bladmaat


Frame-breedte	Werkblad breedte	Werkblad diepte	werkblad dikte
130 cm	140 cm	80 cm	2.5 cm
150 cm	160 cm	80 cm	2.5 cm
170 cm	180 cm	80 cm	2.5 cm



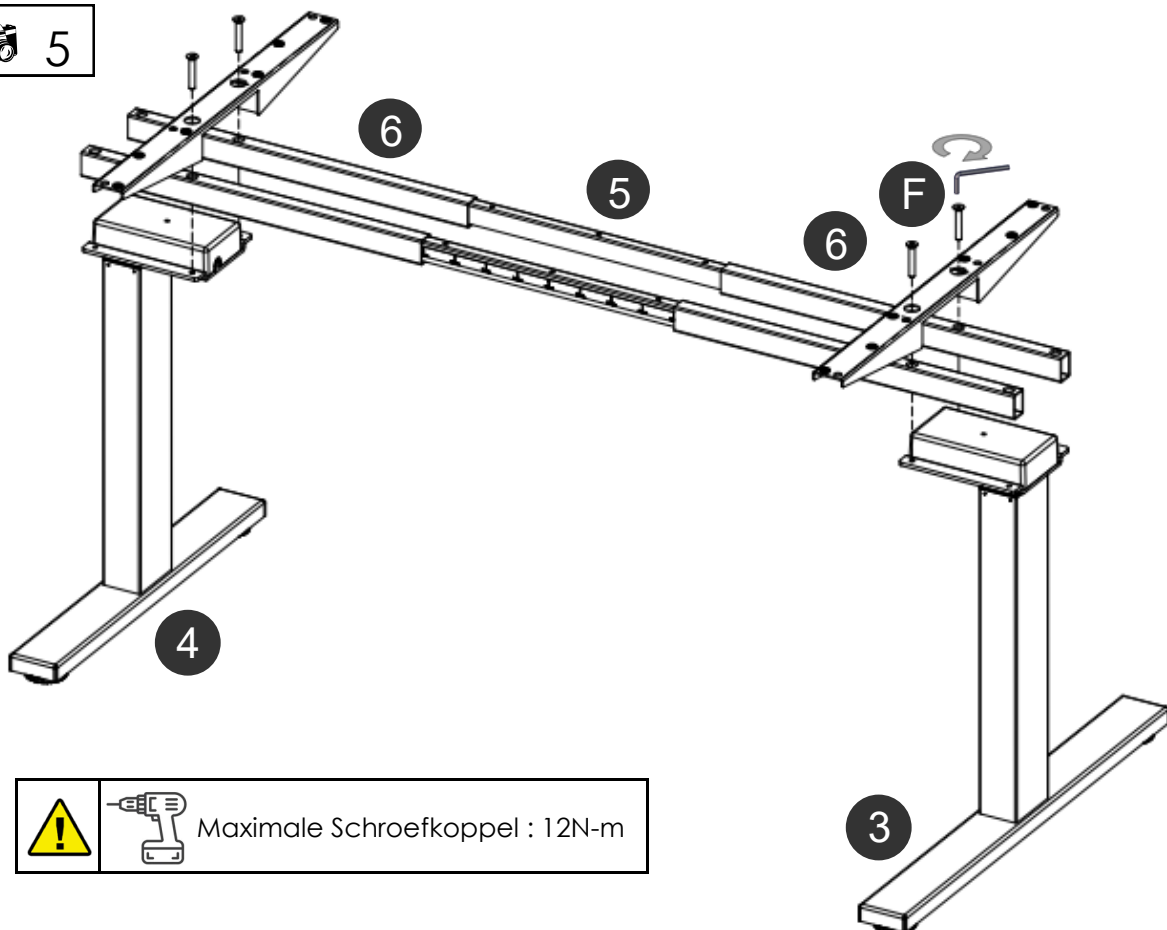
Draai de schroeven nog niet helemaal vast!

3.7 Montage van de voeten



  Maximale Schroefkoppel : 10N-m

3.8 Montage van de crossbar en bladdrager

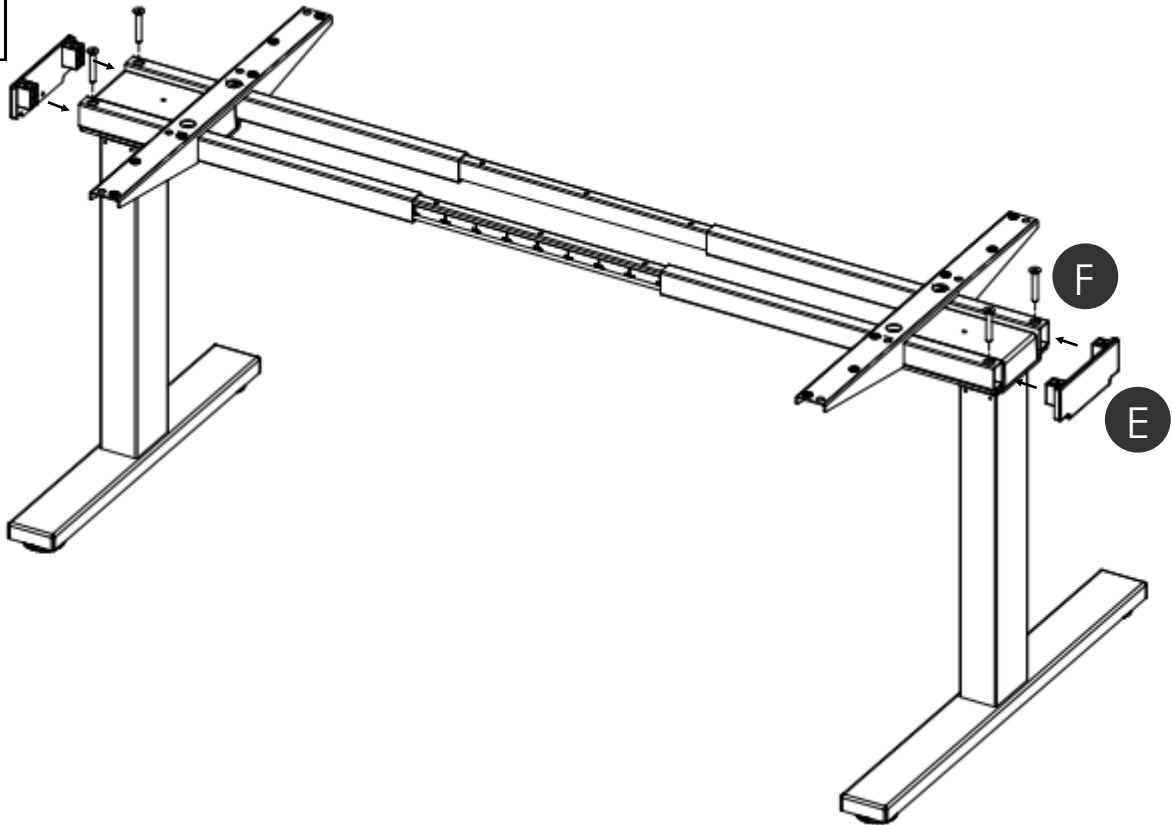


  Maximale Schroefkoppel : 12N-m

3.9 Montage van de afdekkap

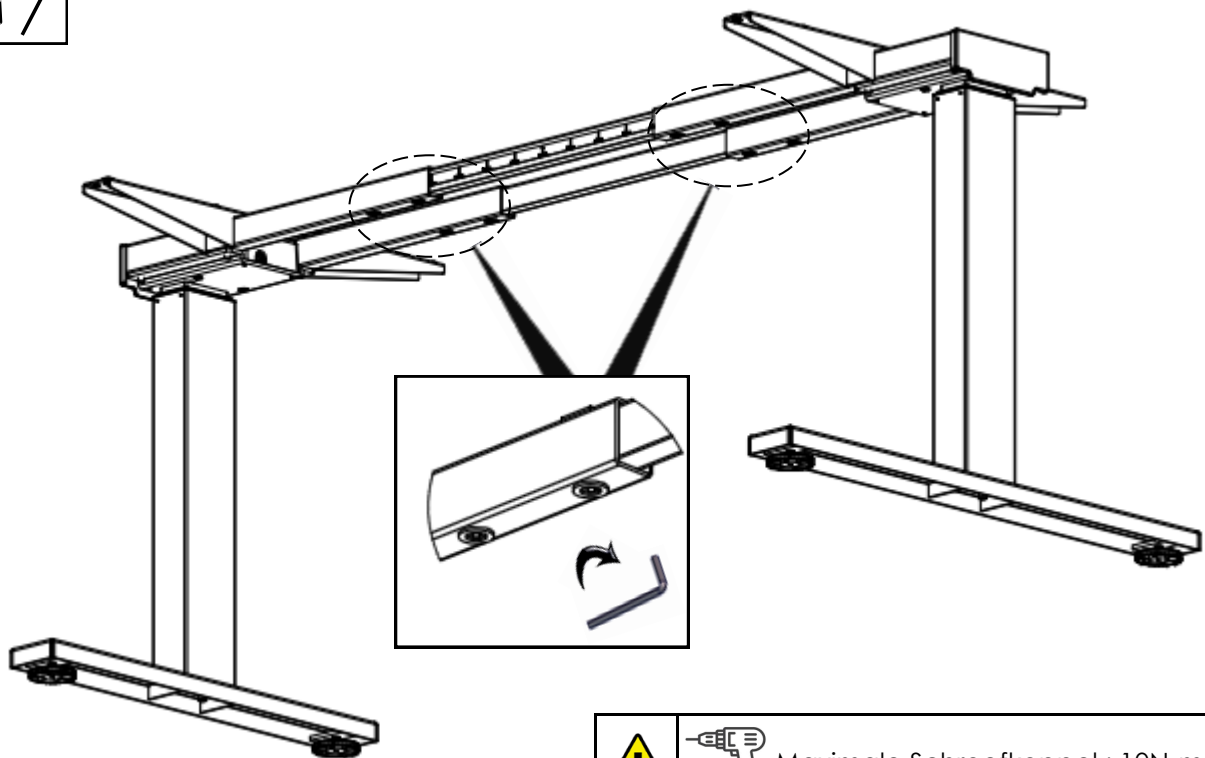
Nederlands

6



3.10 Instellen van de frame-breedte

7



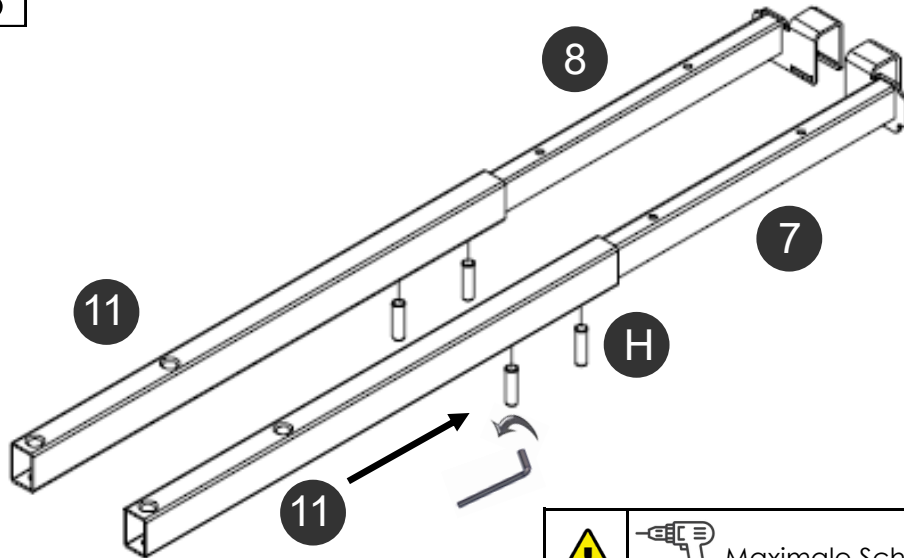
Maximale Schroefkoppel : 10N-m



Schuif het frame uit tot de gewenste breedte.
Draai de stelschroeven met behulp van de inbusleutel M3 vast op de crossbar.

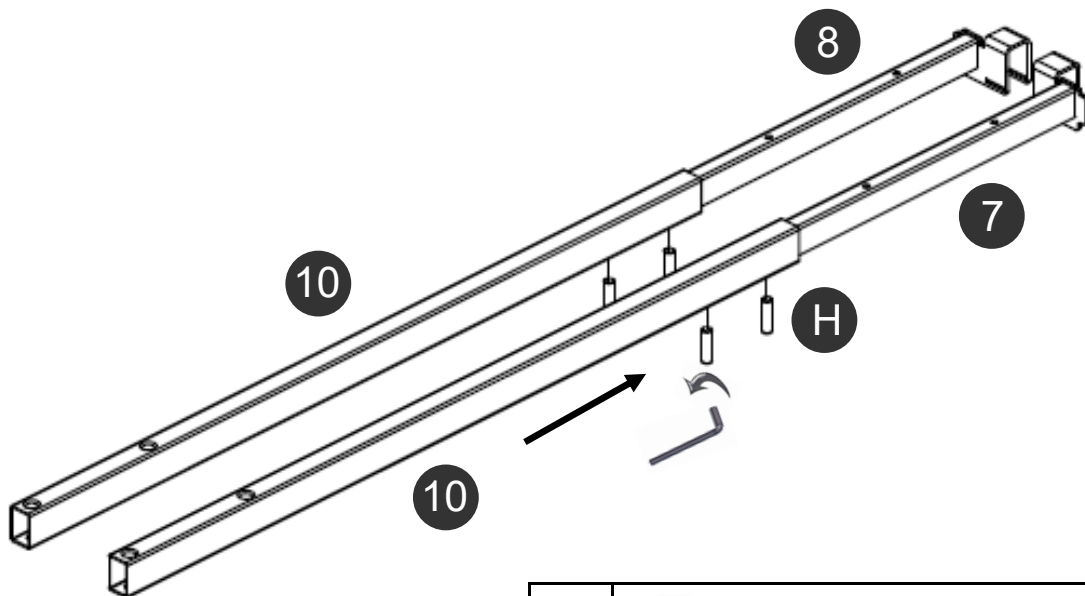
3.11 Voormontage Crossbars zij-unit 1200mm-1400mm

Nederlands



- Aanpassing van de crossbar breedte!
- Draai de schroeven goed aan na het monteren van de componenten

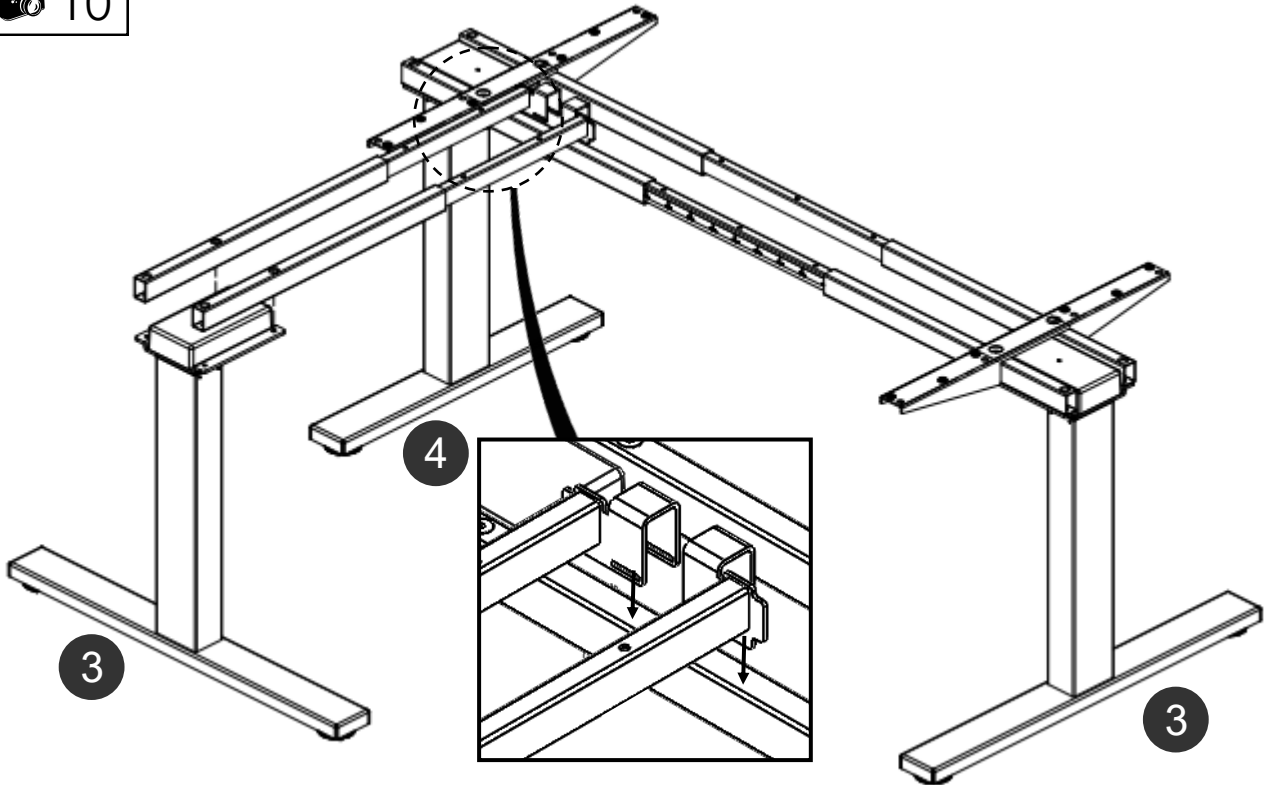
3.12 Optional 2 - Vormontage der Traversen des angewinkelten Teils 1600– 1800 mm



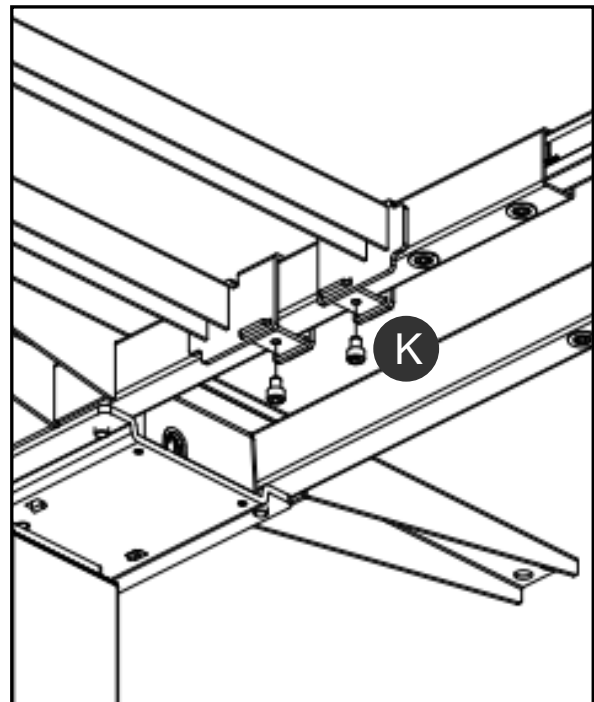
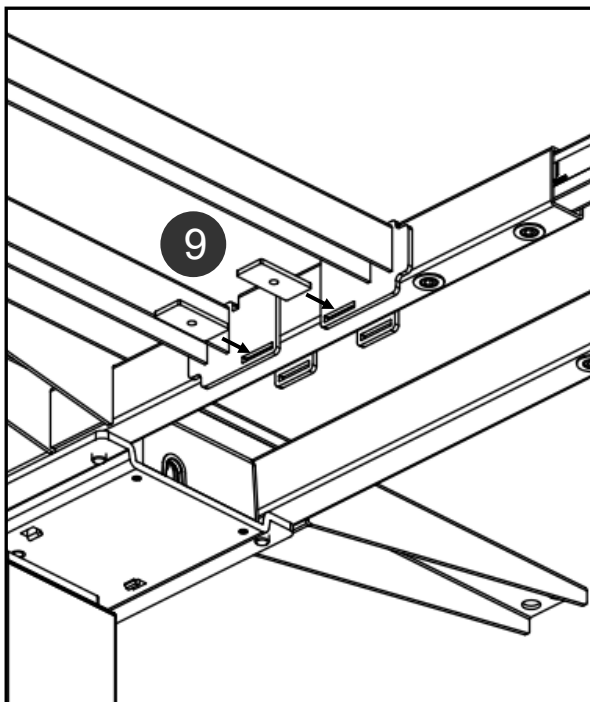
- Aanpassing van de crossbar breedte!
- Draai de schroeven goed aan na het monteren van de componenten

3.13 Montage van de zij-unit Crossbars

Nederlands



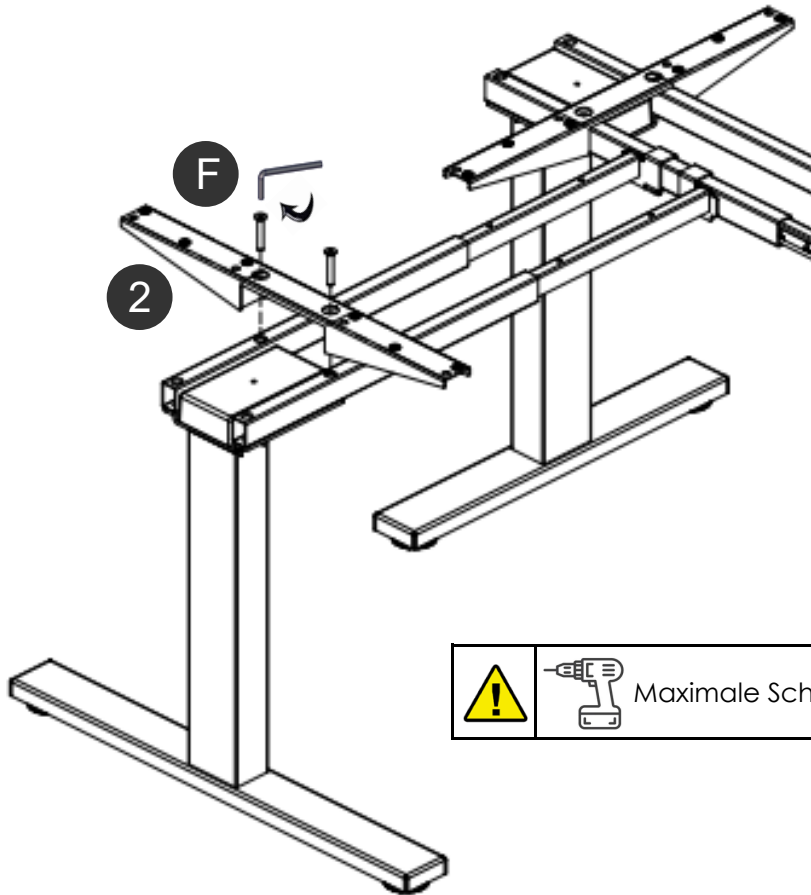
3.14 Montage van de Locking Plate



3.15 Montage van de zij-unit bladdragers

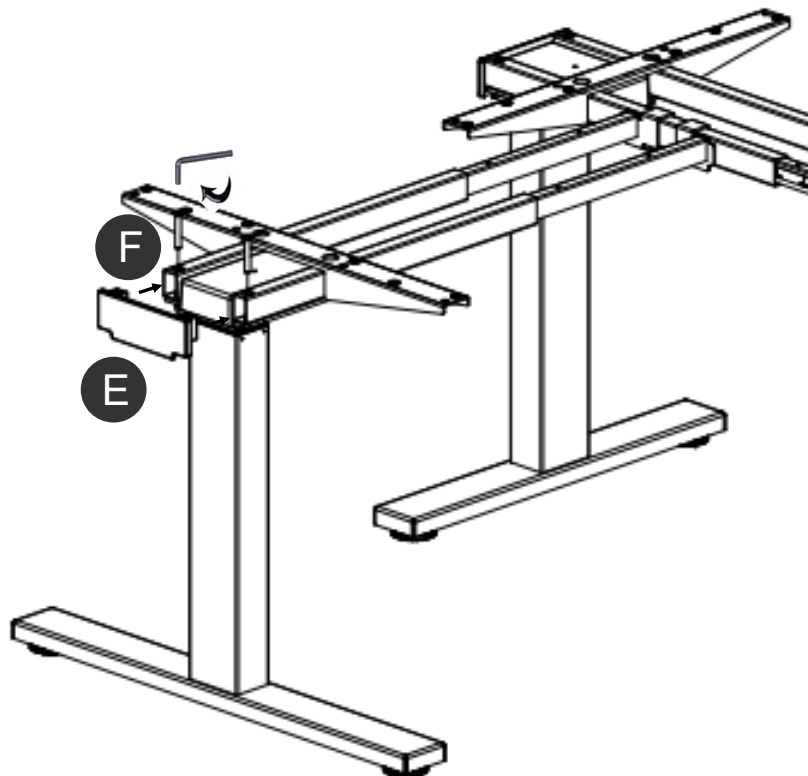
Nederlands

 12



3.16 Montage van de zij-unit afdekkap

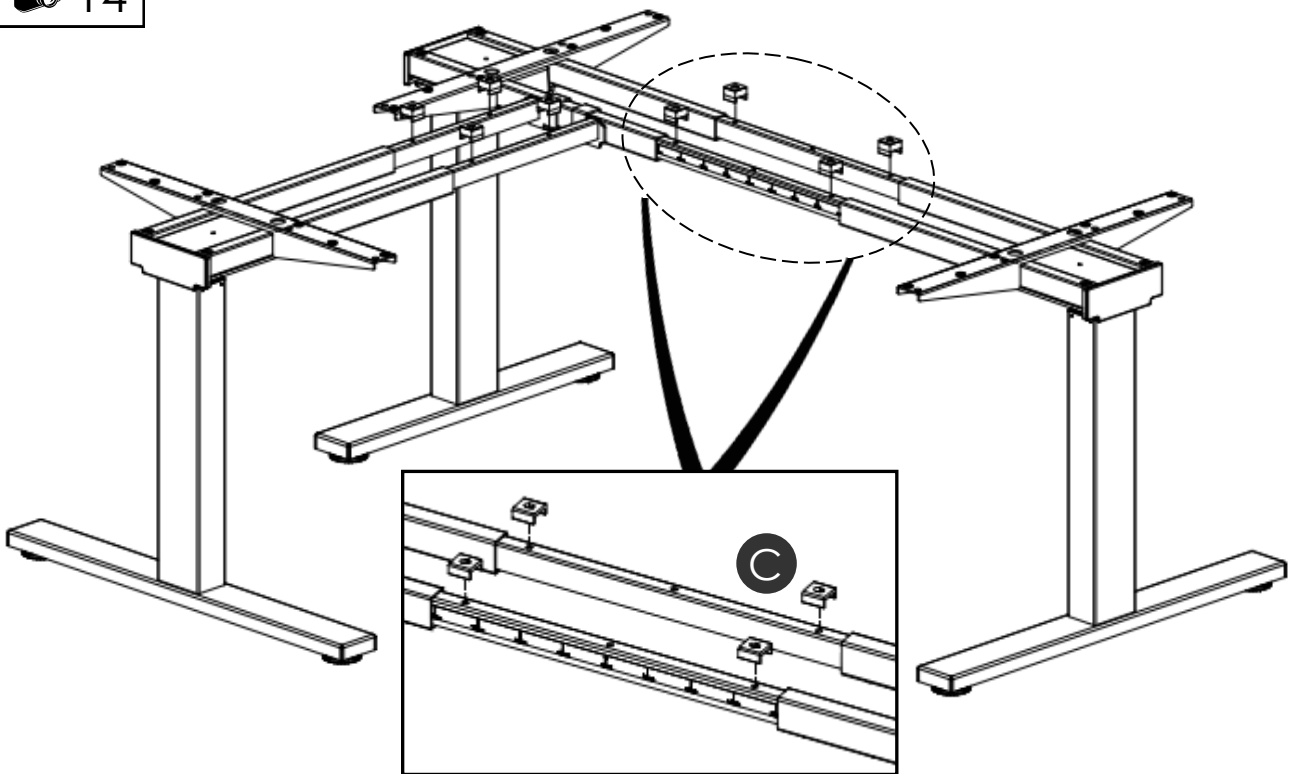
 13



3.17 Montage van de afstandhouders

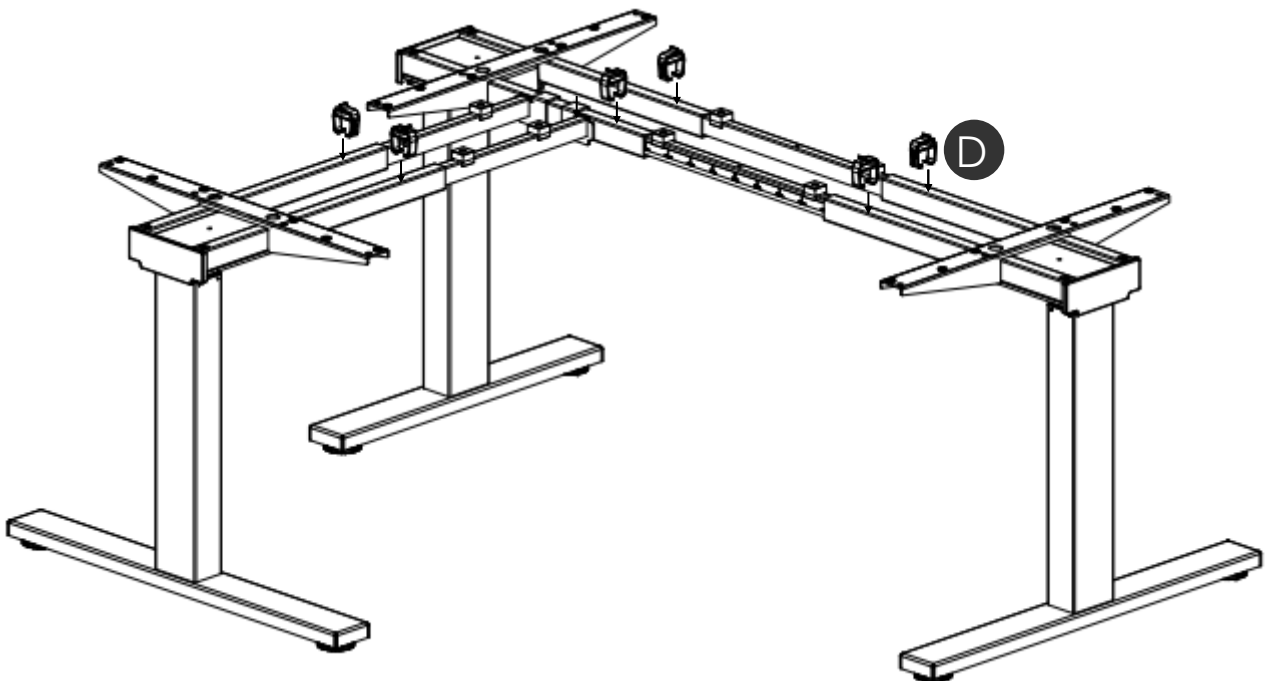
Nederlands

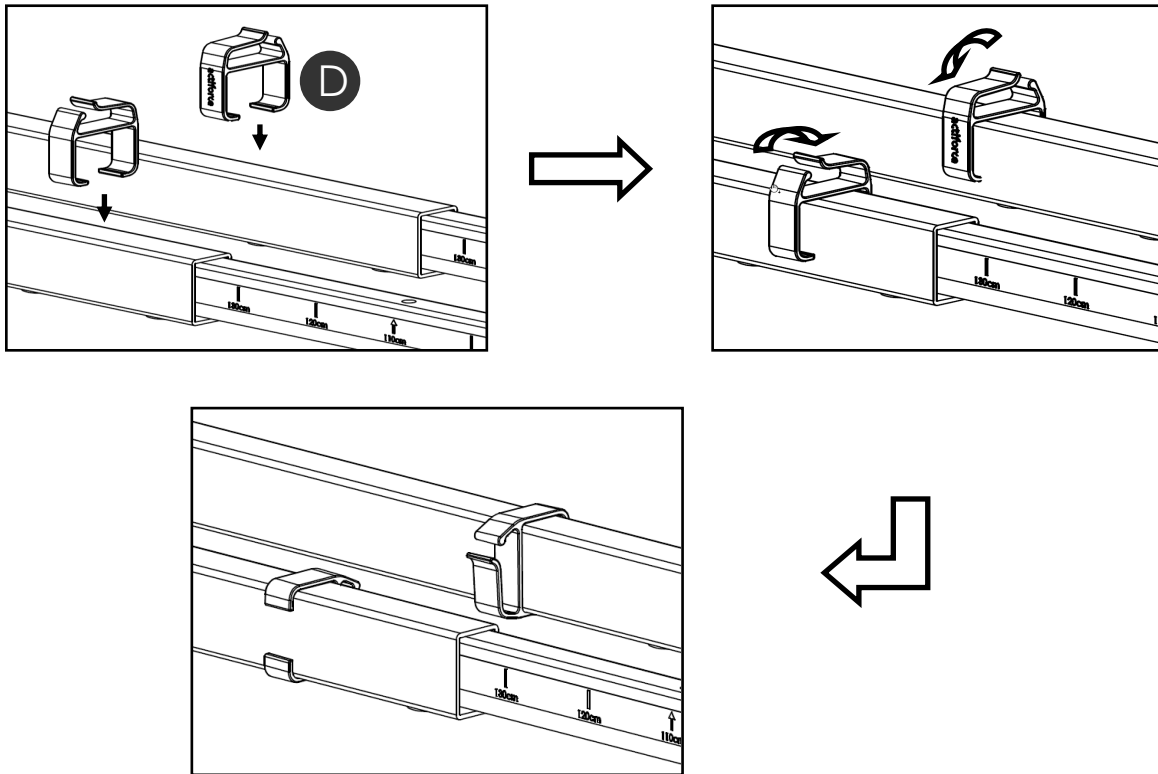
 14



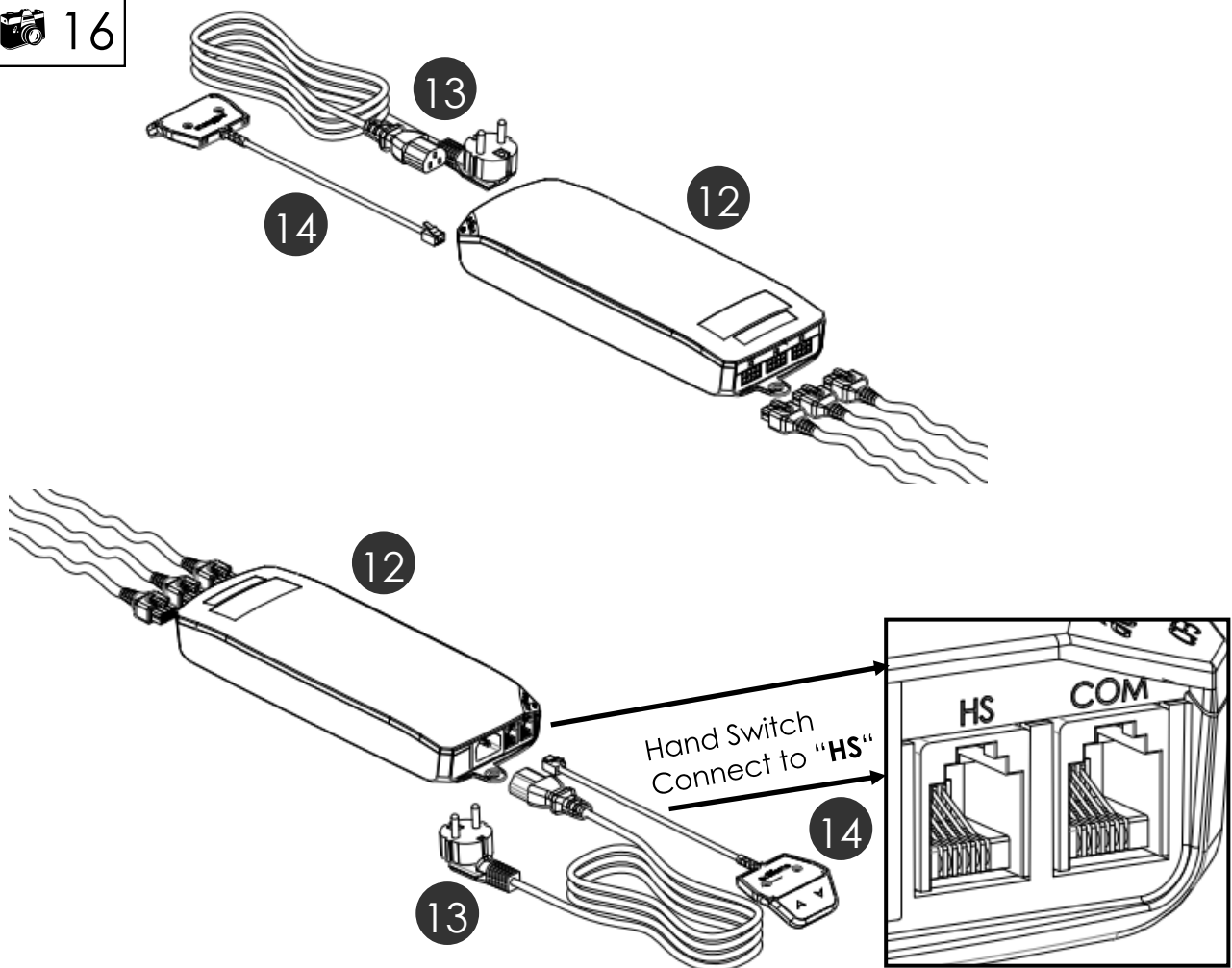
3.18 Montage van de kabelbinders

 15





3.19 Aansluiten van de elektrische componenten

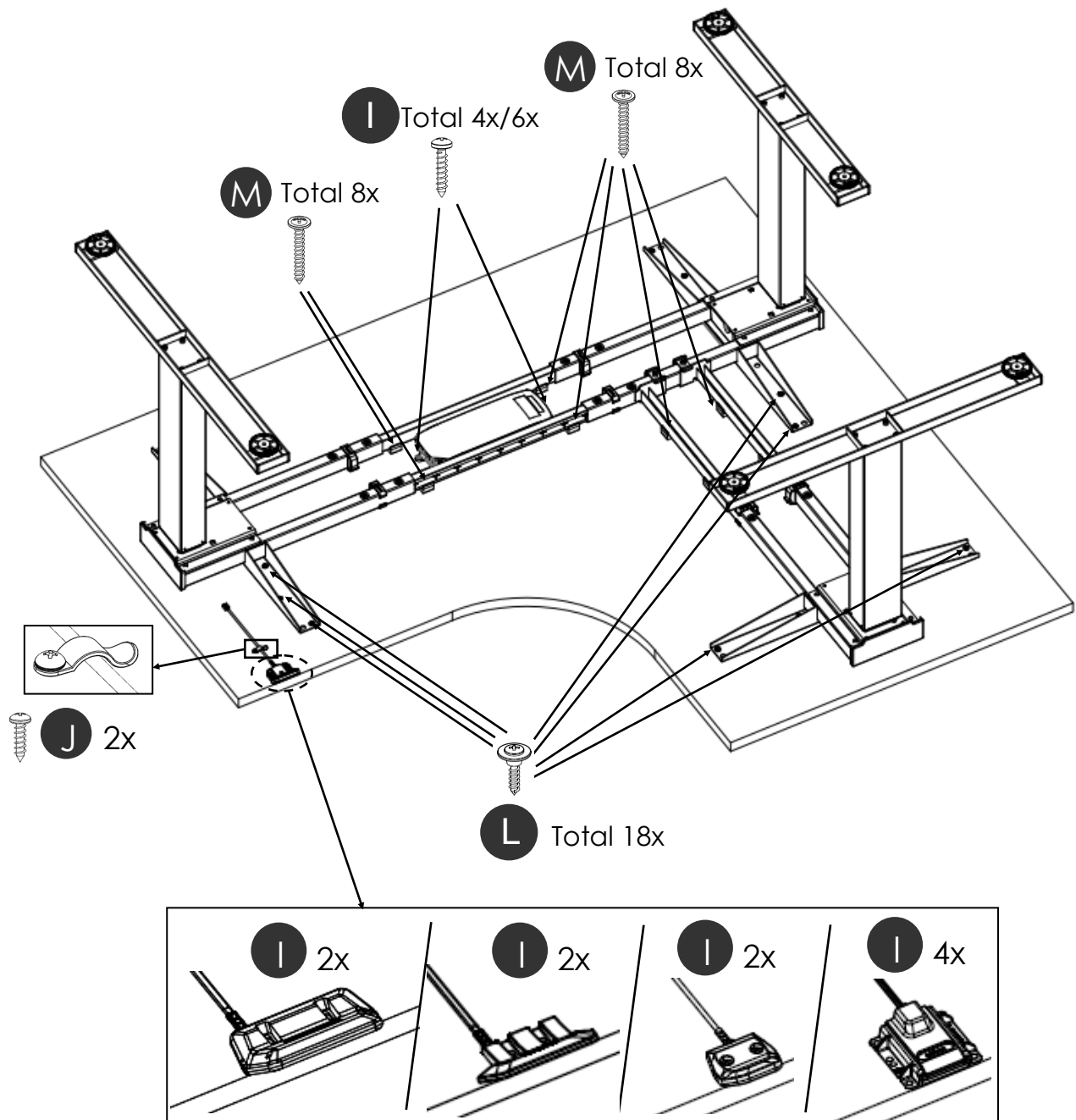


3.20 Montage van het werkblad

3.21 Montage van de handbediening



Het is essentieel dat uw frame in hoogte verstelbaar is. De kabels van de elektrische componenten mogen tijdens een hoogteverstelling niet belemmerd worden. Let er hierbij op dat de maximale hoogteverstelling altijd mogelijk moet zijn!



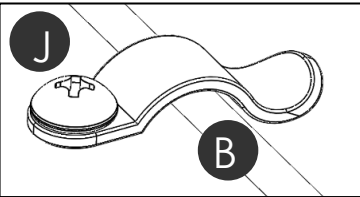
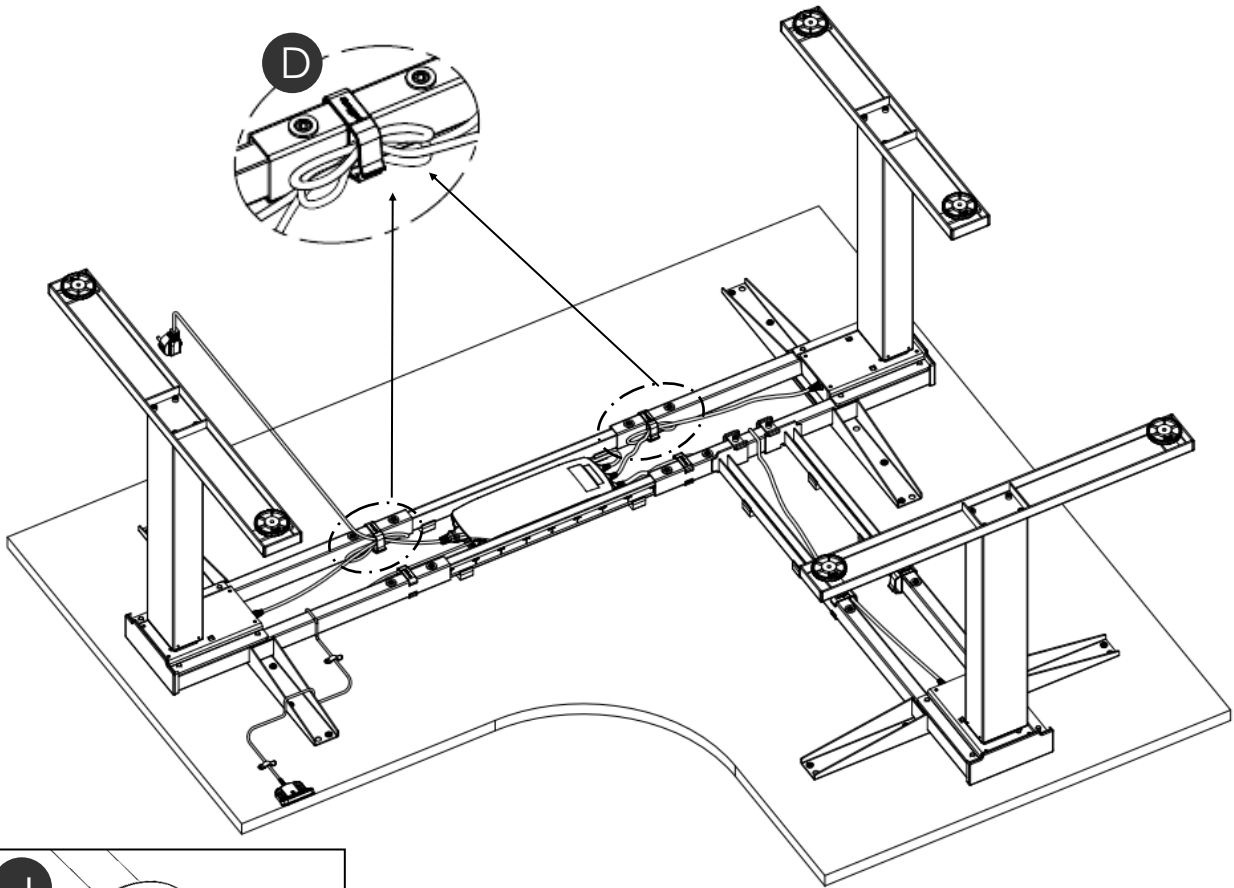
3.22 Montage van de kabelclips

Nederlands

18



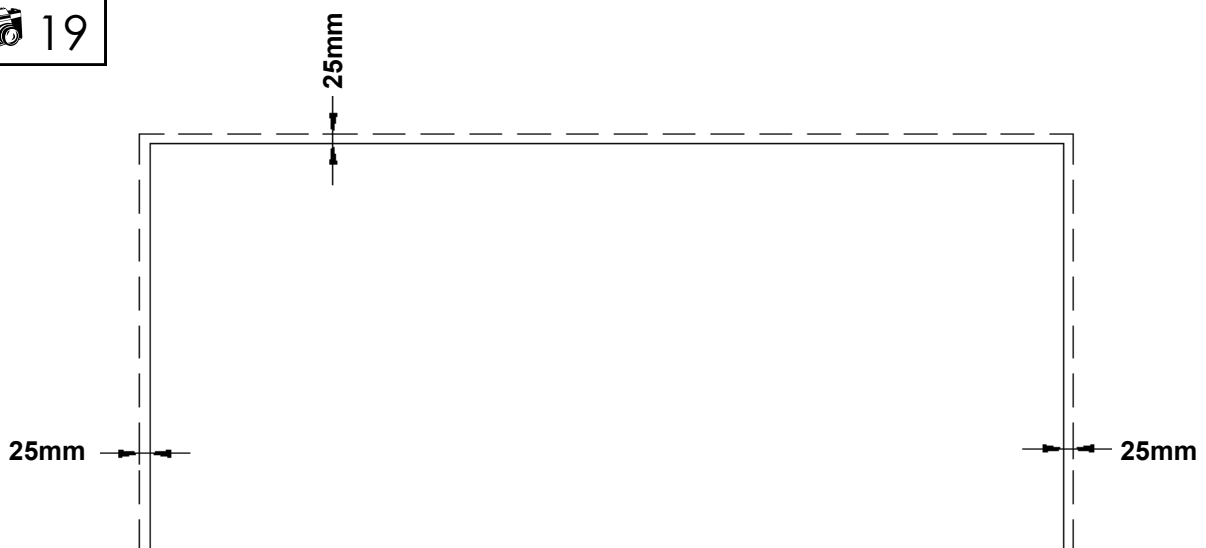
Bind de losse kabels samen met de kabelbinders.



Monteer de kabelclip. Plaats de kabel in de kabelclip.




3.23 Afstand van 25 mm tussen de muur of andere objecten en het werkblad

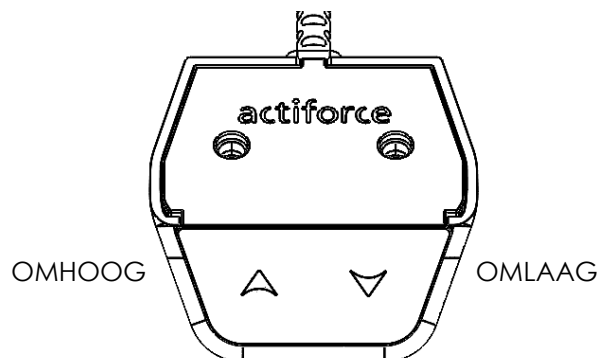
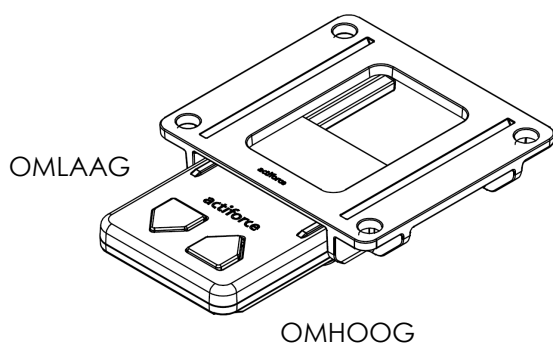
19



Houd een minimum van 25mm afstand tussen het werkblad en de muur of andere objecten.

3.24 Frame test zonder werkblad

	Let erop dat het frame te allen tijde correct en vrij kan bewegen
	Indien de kabel van de elektrische componenten moet worden losgekoppeld, dient u eerst de stroomtoevoer los te koppelen.
	Indien het frame niet naar behoren werkt, stop dan direct met werken aan het frame. Koppel het frame los van de stroomtoevoer en neem contact op met de klantenservice voor verder advies.

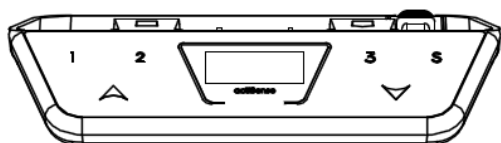


Resetmodus

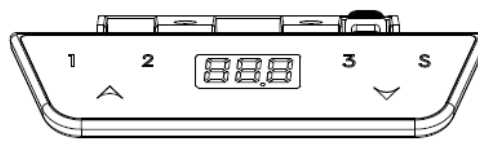
Als u de stekker voor de eerste keer in het stopcontact steekt, kan de hoogte-instelling uitsluitend in de resetmodus worden bediend. Zolang de resetmodus is ingeschakeld, kan het frame uitsluitend omlaag bewegen. Volg voor normaal gebruik van het frame de onderstaande stappen:

- Druk de toets OMLAAG in en houd deze ingedrukt. Het frame beweegt langzaam omlaag.
- Breng het frame naar de laagste stand. Deze stand dient als referentiepunt (nulpunt).
- Houd als het frame de laagste stand heeft bereikt de toets een moment ingedrukt. Hiermee wordt de resetmodus uitgeschakeld.
- Nu kan het frame normaal worden bediend. Druk de toets OMHOOG of OMLAAG in en houd deze ingedrukt om het frame naar de gewenste hoogte te brengen. Het frame stopt als u de toets loslaat.

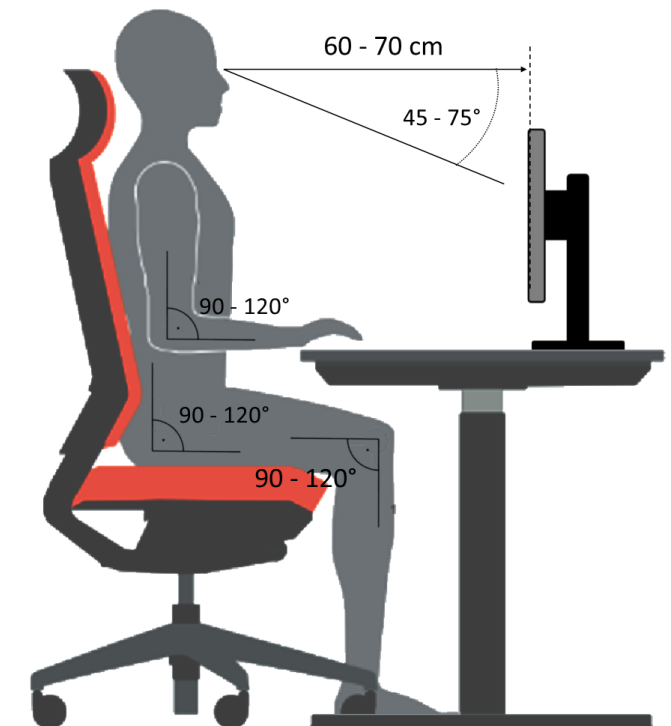
Functions of the Pro Memory (Optional)



Instructies voor het installeren van de ActiSwitch Pro-Memory vindt u in SLS-IM0061



Instructies voor het installeren van de ActiSwitch Eco-Memory vindt u in SLS-IM0081



Correcte houding

Een onjuiste houding kan schade aan gewrichten, pezen en spierpijn veroorzaken. Om dit te voorkomen, moet de bureaustoel en het bureau goed worden afgesteld. In aanvulling op de volgende aanbevelingen, moet een oncomfortabele zithouding worden voorkomen. Indien een van de volgende aanbevelingen leidt tot een voor u oncomfortabele houding, pas de bureaustoel en het bureau dan aan naar uw behoeften.

Bureaustoel

- De zithoogte moet worden aangepast, zodat uw knieën een hoek van 90-120° hebben, wanneer uw voeten plat op de grond staan.
- Voor een juiste zithouding leunt u met uw onderrug tegen de rugleuning. Indien mogelijk stelt u de zitdiepte in, om druk op uw onderbeen te voorkomen. Zit rechtop maar leun achterover in een ontspannen houding. Stel de lendensteun van de stoel, indien mogelijk, af op uw lengte.
- Stel de rugleuning in, zodat het enigszins uw romp naar voren drukt maar nog steeds voldoende ruimte laat om u vrij te bewegen.
- Indien mogelijk kunt u de hoogte van de armleuningen aanpassen zodat uw schouders in een ontspannen positie zijn wanneer zij op de armleuning steunen.

Bureau

- Stel de hoogte van het bureau in nadat u de juiste zithouding heeft gevonden.
- Uw ellebogen moeten een hoek van 90-120° hebben wanneer uw armen rusten op het tafelblad.

Apparaten op het bureaublad

- Invallend licht (daglicht of lampen) moet de monitor in een hoek van 90° benaderen.
- De hoogte van de monitor moet worden aangepast op een manier die het mogelijk maakt om enigszins naar beneden kijken waarbij de focus ligt het midden van het scherm.
- Houd een afstand van 60-70 cm van uw scherm.
- Een vlak, smal toetsenbord helpt om uw polsen te ontspannen.
- **Let op de aanbevelingen in de handleiding van uw andere (ergonomische) apparatuur.**

5 Technische specificaties

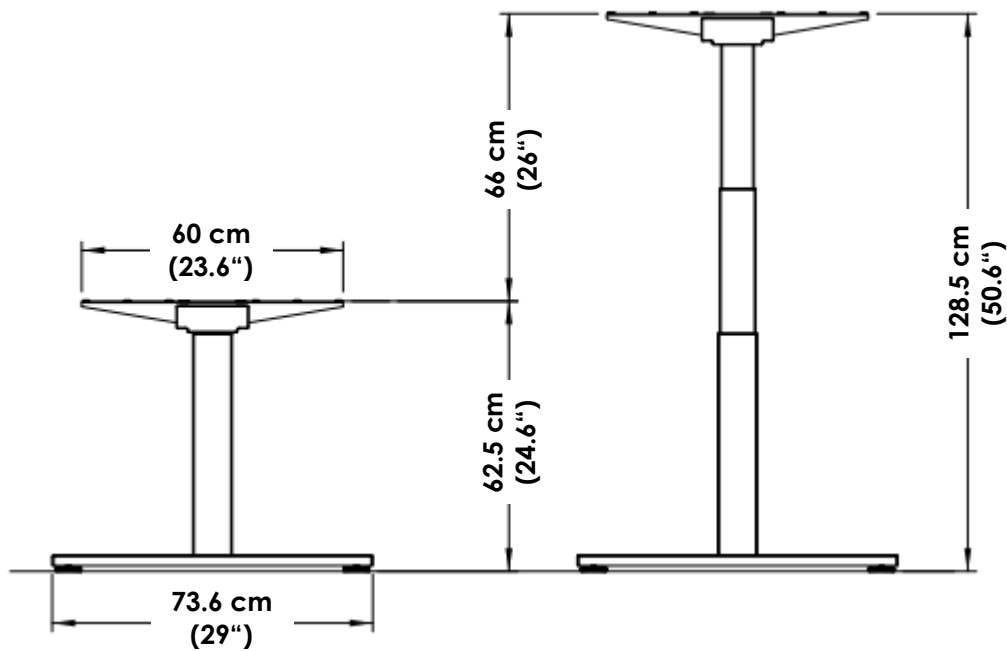
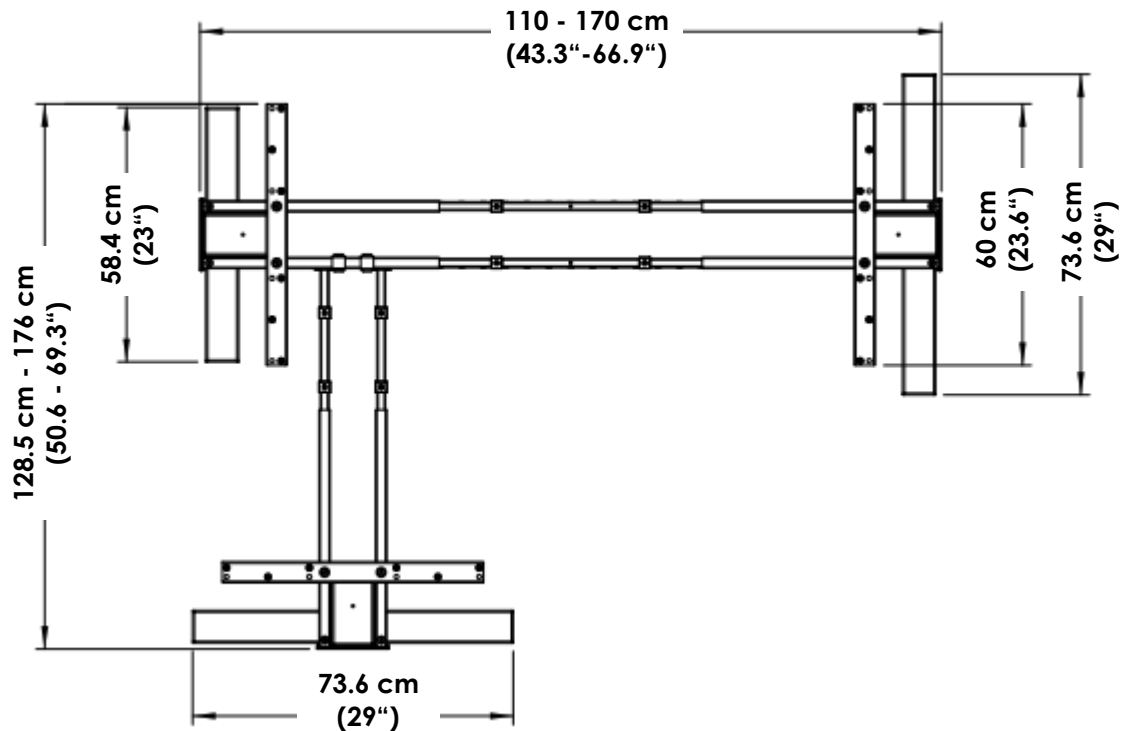
Nederlands

Frame voor een elektrisch in hoogte verstelbaar zit/sta frame

Handleiding versie	SLS-IM0119-3EN-DE-NL-FR-HT
Jaar van uitgave	2022
Land van productie	Maleisië
Systeem	Tweetraps
Materiaal	Staal, plastic en aluminium
Slag (maximaal)	660mm (26")
Frame belasting (maximaal)	150 kg
Frame gewicht Steelforce Pro Highline 671 (60x90) 90° XL SLS EN527	± 45.5 kg
Snelheid	± 39 mm/s
Voeding ControlForce 3	100-240Vac, 50/60Hz, 5A max
Gebruikscyclus	10 % (2 minuten aan / 18 minuten uit)
Geluidsniveau	< 45 dB(A)
Omgevingstemperatuur bij gebruik	15 - 30°C
Omgevingstemperatuur bij opslag	10 - 50°C
Luchtvochtigheid bij gebruik	<85%
Luchtvochtigheid bij opslag	<50%
Maximale opslagtijd	-
Gebrauch nur in Innenräumen!!!	

(* Gemiddelde tolerantie = ± 10 mm)

Nederlands



Minimale frame hoogte	62.5 cm	(24.6")
Maximale frame hoogte	128.5 cm	(50.6")
Maximale slag	66 cm	(26")
Framebreedte	110-170 cm	(43.3"-66.9")
Framediepte	73.6 cm	(29")
Minimum werkbladdiepte	60 cm	(23.6")
Frame belasting (maximaal)	150 kg	

6 Bediening en Gebruiksaanwijzingen



Laat kinderen niet zonder toezicht het frame gebruiken. Kinderen zijn niet in staat de gevaren van het frame in te schatten. Ze lopen hierdoor groot risico op ernstig letsel, mogelijk zelfs met fatale gevolgen.

Zorg er in ieder geval voor dat het frame niet verder versteld kan worden indien het toch door kinderen wordt gebruikt. Houd de maximale inschakelduur van het frame aan.

Zorg voor voldoende ruimte om botsingen te voorkomen indien zich voorwerpen, zoals computers of randapparatuur, op het werkblad bevinden.

6.1 Gebruiksaanwijzingen



Verlaat de onmiddellijke omgeving van het frame wanneer dit onbedoeld gaat bewegen. Neem het frame dan niet in gebruik. Laat het frame door een gespecialiseerd bedrijf repareren. Neem het frame pas weer in gebruik nadat het gerepareerd is.

Gebruik het frame niet meer wanneer er zich iets ongebruikelijks bij het frame voordoet (vreemde geluiden, rook etc.). Laat het frame door een gespecialiseerd bedrijf repareren. Neem het frame pas weer in gebruik nadat het op deskundige wijze gerepareerd is.

Gebruik het frame niet meer wanneer er zich veiligheidsrisico's voordoen.

7 Probleemoplossingen

Probleem	Mogelijke oorzaak	Oplossing
Het frame beweegt niet.	Kabels of aansluitingen beschadigd.	Controleer alle aansluitingen. Stroomvoorziening in orde?
Het frame beweegt niet.	Als de aansluitingen gecontroleerd zijn, is de handbediening mogelijk defect.	Vervang de handbediening.
Het frame beweegt niet.	Fout in de transformator.	Systeem opnieuw opstarten.

Wanneer het probleem niet hierboven wordt vermeld, dan dient u contact op te nemen met de Klantenservice.

8 Klantenservice

Houd de gegevens van het frame bij de hand wanneer u contact opneemt met uw dealer.

Dealer:

9 Fabrikant

Actiforce International B.V.

Het Steenland 20
3751 LA Bunschoten-Spakenburg
The Netherlands

+31 (0)33 4600120
www.actiforce.com
info.holland@actiforce.com

10 Recycling

10.1 Buitenbedrijfstelling van het frame

- Haal de stekker uit het stopcontact.

10.2 Demontage van het frame

- Houd bij demontage de omgekeerde volgorde van de handleiding aan of neem contact op met de Klantenservice (zie hoofdstuk 8).

10.3 Recycling

- Scheid de onderdelen naar materiaalsoort. Houd de nationale wetgeving in acht!

10.4 AEEA - Afgedankte Elektrische en Elektronische Apparatuur

Elektrische en elektronische apparatuur (EEA) bevat materialen, componenten en stoffen die gevaarlijk kunnen zijn en een risico vormen voor de menselijke gezondheid en het milieu wanneer afgedankte elektrische en elektronische apparatuur (AEEA) niet correct worden verwerkt. De apparatuur die is gemarkeerd met de onderstaande doorgekruiste vuilnisbak, is elektrische en elektronische apparatuur. Het symbool met een doorgekruiste verrijdbare afvalbak geeft aan dat afgedankte elektrische en elektronische apparatuur niet samen met niet-gescheiden huishoudelijk afval mag worden weggegooid, maar apart moet worden ingezameld.



Voor dit doel hebben alle lokale autoriteiten inzamelingsregelingen opgesteld waarbij bewoners afgedankte elektrische en elektronische apparatuur kunnen inleveren bij een recyclingcentrum of andere inzamelpunten, of AEEA wordt rechtstreeks bij huishoudens ingezameld. Meer gedetailleerde informatie is verkrijgbaar bij de technische administratie van de relevante lokale autoriteit. Gebruikers van elektrische en elektronische apparatuur mogen AEEA niet samen met huishoudelijk afval weggoien. Inwoners moeten de gemeentelijke inzamelingsregelingen gebruiken om de negatieve milieueffecten in verband met de verwijdering van afgedankte elektrische en elektronische apparatuur te verminderen en om de mogelijkheden voor hergebruik, recycling en terugwinning van afgedankte elektrische en elektronische apparatuur te vergroten.

11 EU-Verklaring van overeenstemming volgens machinerichtlijn 2006/42/EG, bijlage II A

Nederlands

Hierbij verklaren wij dat het artikel dat hieronder wordt beschreven, voldoet aan de relevante EU-richtlijnen (in het bijzonder de hieronder vermelde) en dat de serie dienovereenkomstig is vervaardigd.

Artikelomschrijving:	Electrical Height Adjustable Frame For Table		
Artikelnummer:	SLS73d15*079** <i>Het eerste symbool "*" kan zijn 8 (Pro-Basic RJ11), 9 (Eco-Basic Slide RJ11), A (Pro Memory) of E (Eco Memory).</i> <i>Het tweede symbool "*" kan zijn 11, 18, 29, 30, 78, 82, 83, 90, 94, J4 en etc.</i> <i>Het derde symbool "*" kan zijn EU, NL, DE, DK, US, GB, WE, MY, CH, TA, TC, TG, TI, TD en etc.</i>		
Modelreeks:	Steelforce Pro Highline 671 (60x90) 90° XL SLS EN527		
Soorten:	Spindle Lift System		
Technische Specificaties:	Breedte 1	:	1100 mm – 1700 mm
	Breedte 2	:	1285 mm - 1760 mm
	Hoogte	:	625 mm - 1285 mm
	Diepte	:	736 mm
	Systeem	:	2 traps, Elektromotorisch
	Materiaal	:	Staal, plastic en aluminium
	Max. framebelasting	:	150.0 kg

Geldende EU-richtlijnen :
Machinerichtlijn (2006/42/EC)
EMC-richtlijn (2014/30/EU)
RoHS richtlijn (2011/65/EU)

De volgende gestandaardiseerde normen zijn toegepast :

EN 61000-3-2:2019 EN 61000-3-3:2013+A1:2019 EN 55014-1:2017 EN 55014-2:2017+A11:2020
EN 60335-1:2012+A11:2014+A13:2017 EN 62233:2008 EN ISO 12100:2010 EN IEC 63000:2018

Andere gebruikte technische normen en specificaties :

UL 962 47 CFR FCC Part 15 Subpart B ICES-003 IEC 60335-1

Adres van importeur / gemachtigde vertegenwoordiger : **Actiforce International BV**
Het Steenland 20
3751 LA Bunschoten-Spakenburg
Nederland

Importeur : **Holger Fricke**
(Managing Director)

Deze conformiteitsverklaring wordt uitgegeven onder de exclusieve verantwoordelijkheid van de fabrikant.
Ondertekend namens Actiforce Mechatronics Technology (M) Sdn Bhd.

Handtekening : 
Naam : **Thomas Weidmann**
(R&D Director)

Datum : **18/Apr/2022**

Regio : **Penang, Malaysia**

1.1 Valeur locale du manuel de montage/d'utilisation

Le principe directeur pour une utilisation sûre et un fonctionnement sans problème de ce cadre de poste de travail est la connaissance des informations et des règles de sécurité de base. Ce manuel de montage/d'utilisation contient les principales informations pour assembler et utiliser le cadre de poste de travail en toute sécurité. Le présent manuel de montage/d'utilisation, en particulier les consignes de sécurité qu'il contient, doit être respecté par toute personne qui construit le cadre et travaille sur la surface finie. Plus important encore, les règles et réglementations applicables à la prévention des accidents dans la localité où le cadre de poste de travail est utilisé doivent être respectées à tout moment.

1.2 Usage visé

Le cadre de poste de travail doit être utilisé uniquement comme un poste de travail réglable en hauteur à usage assis/debout dans des bureaux ou d'autres espaces fermés. Le cadre doit exclusivement être utilisé à cette fin. Toute autre utilisation que celle mentionnée ci-dessus sera considérée comme inappropriée. Le fabricant ne peut en aucun cas être tenu pour responsable des dommages résultant d'une mauvaise utilisation. Cet appareil peut être utilisé par des enfants de 8 ans et plus et par des personnes dont les capacités physiques, sensorielles ou mentales réduites, ou manquant d'expérience et de connaissances si elles sont sous surveillance ou si elles ont reçu des instructions concernant l'utilisation sans danger de l'appareil et si elles comprennent les dangers encourus. Les enfants doivent être surveillés pour s'assurer qu'ils ne jouent pas avec l'appareil, le nettoyage et l'entretien par l'utilisateur ne doivent pas être effectués par des enfants sans surveillance.

L'usage prévu comprend également :

- l'observation de toutes les informations figurant dans le manuel de montage/d'utilisation et
- l'interdiction de toute forme d'ajout/conversion du poste de travail.

1.3 Mauvaise utilisation

- N'utilisez jamais le cadre de poste de travail pour lever des personnes ou des charges.
- Ne dépassez pas la charge maximale du cadre de poste de travail.
- Ne faites fonctionner le poste de travail qu'avec l'unité d'alimentation électrique incluse dans la livraison.

1.4 Danger

Une mauvaise connexion du conducteur de mise à la terre du cadre de poste de travail peut entraîner un risque d'électrocution. Vérifiez auprès d'un électricien qualifié si vous avez des doutes quant à la mise à la terre correcte du produit. Ne modifiez pas la fiche fournie avec le produit.

Si le cordon d'alimentation est endommagé, il doit être remplacé par un cordon ou un ensemble spécial disponible auprès du fabricant ou de son agent de service.

AVERTISSEMENT : Tous changements ou toutes modifications non autorisés formellement par le fabricant peuvent annuler l'autorisation de l'utilisateur d'actionner l'équipement

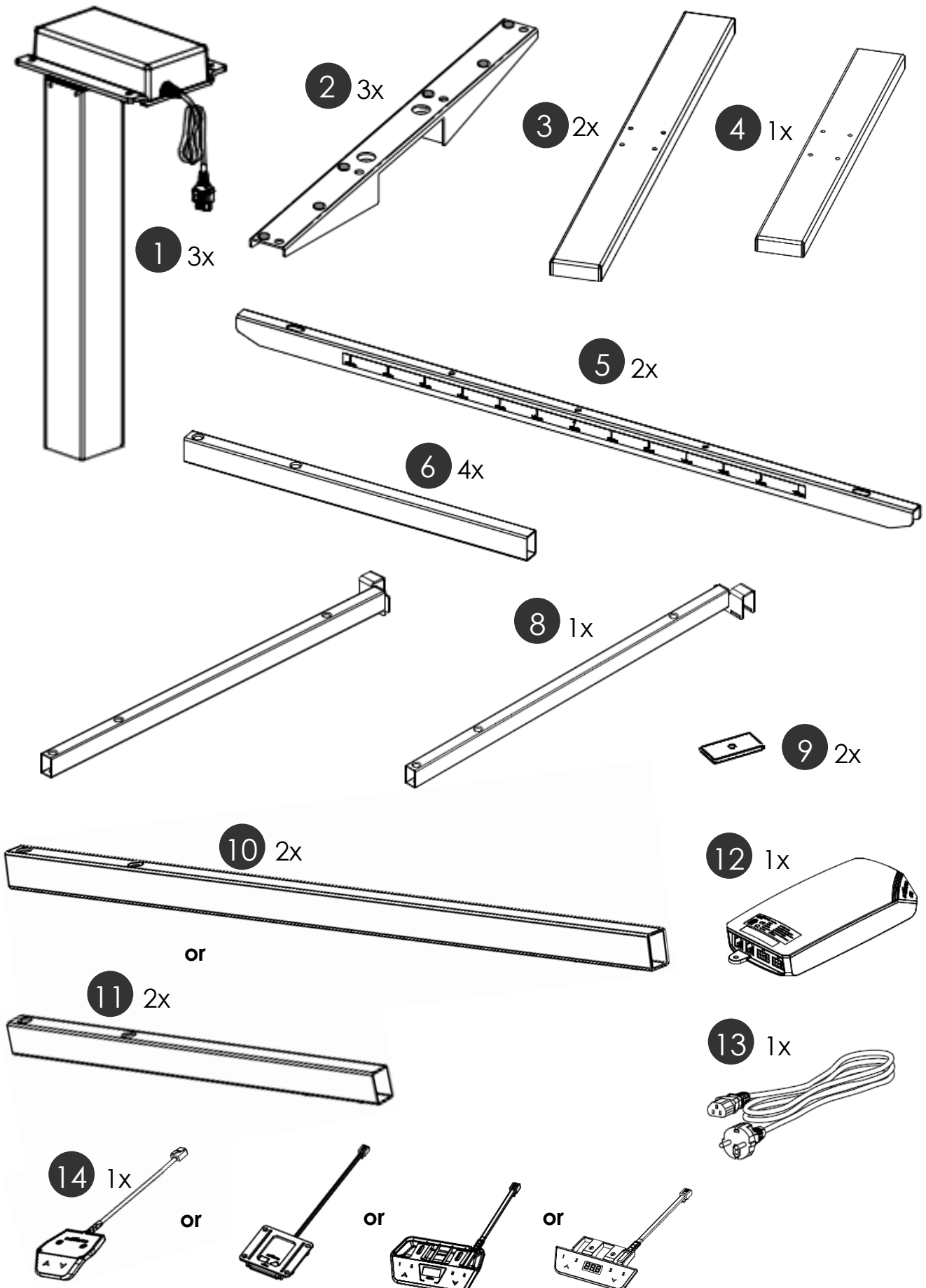
1.5 Contenu de la boîte

Français

Articles



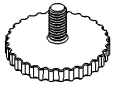
Le montage nécessite la présence de 2 personnes !



Kit de matériel de montage

Français

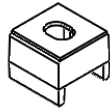
A 6x



B 2x



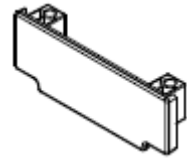
C 8x



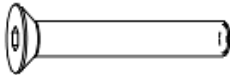
D 8x



E 3x



F 12x



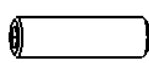
M8x50

G 12x



M6x16

H 12x



M10x35

I 4x
6x



4.5x20

J 2x



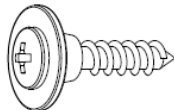
4.5x16

K 2x



M6x8

L 18x



4.5x20

M 8x



4x30



Outils




2 Informations relatives à la sécurité

2.1 Symbols/Warnings


Le manuel de montage/d'utilisation utilise les termes et les pictogrammes suivants pour indiquer des dangers :

	<p>Ce symbole indique une situation de menace immédiate pour la vie ou la santé d'une personne. Le non-respect de ces informations peut avoir de graves conséquences pour la santé, voire entraîner des blessures potentiellement mortelles.</p>
	<p>Ce symbole indique une information importante. Le non-respect de cette information peut entraîner des dommages au poste de travail.</p>

2.2 Symboles utilisés sur le cadre de poste de travail

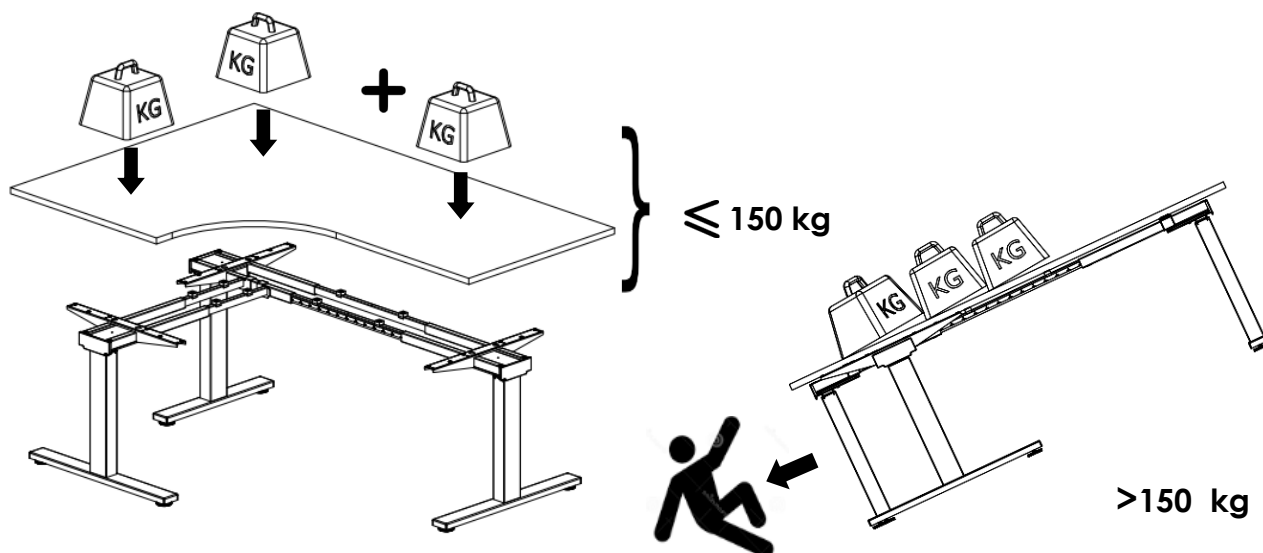
	<p>Ne placez pas d'objets ou de parties du corps sous le cadre de poste de travail ou entre les traverses. Cela pourrait entraîner des blessures graves ou même la mort.</p>
-----------------------------------------------------------------------------------	------------------------------------------------------------------------------------------------------------------------------------------------------------------------------

2.3 Poids maximum autorisé sur le cadre

	<p>Ne dépassez pas la charge maximale autorisée de 150 kg (plateau compris) sur le cadre de poste de travail. Évitez de déséquilibrer la charge, répartissez le poids uniformément, sans quoi une surcharge peut se produire. La surcharge d'un cadre peut provoquer une rupture et les personnes à proximité peuvent en subir de graves blessures.</p>
-----------------------------------------------------------------------------------	---------------------------------------------------------------------------------------------------------------------------------------------------------------------------------------------------------------------------------------------------------------------------------------------------------------------------------------------------------

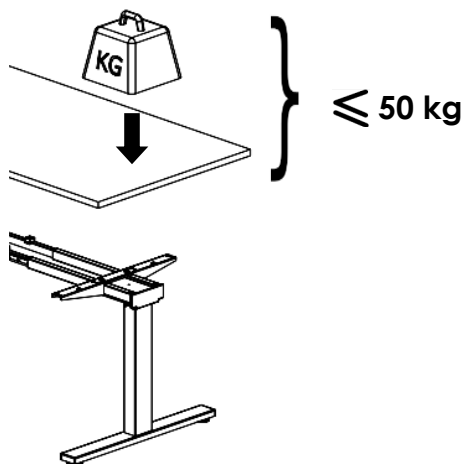
Exemple

	<p>Tout le poids doit être réparti uniformément.</p>
-------------------------------------------------------------------------------------	------------------------------------------------------





Ne dépassez pas la charge maximale autorisée de 50 kg (plateau compris) sur une colonne. La surcharge d'un cadre peut provoquer une rupture et les personnes à proximité peuvent en subir de graves blessures.



2.5 Mesures d'organisation

- Il est préférable de monter le cadre de poste de travail à deux personnes. Le retournement du cadre, une fois le plan de travail installé, est une tâche qui, en particulier, nécessite deux personnes !

2.6 Mesures de sécurité informelles

- Conservez en permanence le manuel de montage/d'utilisation à l'endroit où le cadre de poste de travail est utilisé.
- Assurez-vous que toutes les informations de sécurité figurant sur la table (voir section 2.2, Symboles utilisés sur le cadre de poste de travail) sont lisibles, et remplacez-les si nécessaire.

2.7 Note pour les personnes qui montent le poste de travail

- Le poste de travail doit être monté/utilisé par des personnes de plus de 16 ans.
- Les personnes mentionnées ci-dessus doivent avoir lu et compris le manuel de montage/d'utilisation.

2.8 Transport et montage

- Le cadre du poste de travail peut uniquement être déplacé par deux personnes et doit alors être rétracté.
- Ne traînez pas ou ne tirez pas le cadre du poste de travail sur le sol.
- Assemblez le cadre du poste de travail uniquement à l'aide des outils fournis.

2.9 Utilisation du cadre du poste de travail

- Ne laissez pas les enfants utiliser le cadre du poste de travail sans surveillance. Les enfants peuvent ignorer les dangers que présente le cadre du poste de travail. Ils risqueraient de se blesser gravement, voire de subir des conséquences mortelles. Tout autre réglage doit être impossible pour éviter l'utilisation par des enfants.
- Le cadre de poste de travail ne doit être utilisé que dans les zones appropriées.
- N'utilisez pas le cadre de poste de travail sur une surface inégale. Dans ces conditions, il ne serait pas stable.
- Ne dépassez pas la charge maximale sur le cadre de poste de travail.

2.10 Dangers spécifiques

- Le réglage de la hauteur du cadre peut entraîner un risque de blessure. Assurez-vous qu'il n'y a personne d'autre dans les environs immédiats du cadre.
- Lors du montage du cadre de poste de travail, veillez à ce qu'il y ait suffisamment d'espace pour éviter les accidents (inclinaison du toit, objets fixes, armoires de classement, poubelles, etc.) dans toutes les directions possibles.
- Assurez-vous qu'il y a suffisamment d'espace pour éviter les accidents s'il y a des objets sur le plan de travail tels que des ordinateurs ou des périphériques.
- Veillez à ce qu'il y ait un espace d'au moins 25 mm par rapport à tout autre meuble, tout autour du cadre du poste de travail.

2.11 En cas d'urgence

- Cessez immédiatement d'utiliser le cadre du poste de travail si vous remarquez quelque chose d'inhabituel (sons étranges, etc.).
- Faites réparer le cadre du poste de travail par des spécialistes. Abstenez-vous d'utiliser le cadre de poste de travail tant qu'il n'a pas été correctement réparé.

2.12 Maintenance et entretien

- Le cadre du poste de travail et ses composants nécessitent peu de maintenance et aucun entretien régulier particulier.
- N'effectuez pas vous-même de réparations sur le plan de travail ou d'autres composants.
- Ne modifiez pas la construction du plan de travail ou de son cadre.
- Tous les composants défectueux retirés doivent être remplacés par des composants neufs et originaux du fabricant. N'utilisez que des pièces de rechange originales fabriquées par le fabricant. Faites effectuer ces travaux par un spécialiste, en vous référant à ce manuel de montage/d'utilisation.

2.13 Nettoyage

- Débranchez toujours ce poste de travail de la prise électrique avant de le nettoyer.
- Dépoussiérez le cadre du poste de travail une fois par semaine avec un chiffon sec.
- Nettoyez le cadre de poste de travail à l'aide d'un chiffon humide et d'un peu de détergent tous les quinze jours.

2.14 Risques persistants

Ce cadre de poste de travail a été construit selon les techniques les plus modernes et les normes de sécurité reconnues. Néanmoins, son utilisation peut constituer un risque pour la santé et la sécurité des utilisateurs ou de tiers, ou causer des dommages au cadre de poste de travail ou à d'autres éléments. Le cadre du poste de travail doit être utilisé uniquement :

- pour l'usage auquel il était destiné.
- si la sécurité est complètement assurée.



Avant de tenter le montage, lisez les informations relatives à la sécurité de la section 2.

3.1 Contrôle des articles fournis

- Ouvrez soigneusement l'emballage en carton.
- Pour ce faire, n'utilisez pas de longues lames de couteau. Elles peuvent endommager les composants qui se trouvent à l'intérieur.
- Vérifiez les pièces fournies par rapport à la liste de la section 1.6 Contenu de la boîte.
- N'essayez pas de monter le cadre de poste de travail s'il est endommagé ou s'il y a des composants incorrects.

3.2 Emballage

- Retirez l'emballage. Traiter-le comme des déchets ménagers/papier.
- Respectez la législation nationale.

3.3 Couples de serrage des vis utilisées

- Assemblez le cadre du poste de travail uniquement à l'aide des outils fournis.

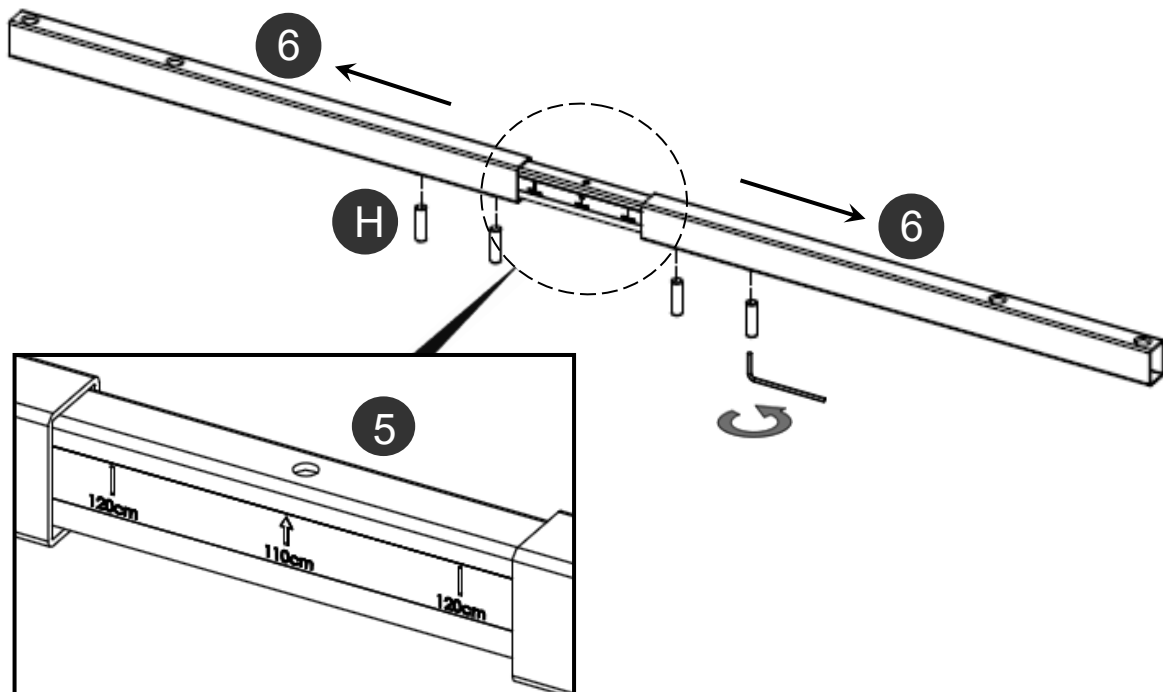
3.4 Prémontage des barres transversales pour la mise en place du cadre pour 110 cm et 120 cm

Dimensions supérieures recommandées

Mise en place du cadre	Largeur / dimension de plateau	Profondeur / dimension de plateau	Épaisseur de plateau
110 cm	120 cm	80 cm	2,5 cm
120 cm	130 cm	80 cm	2,5 cm



1



Réglez le cadre à la largeur désirée. Serrez les vis de réglage sur la barre transversale avec la clé Allen M5.

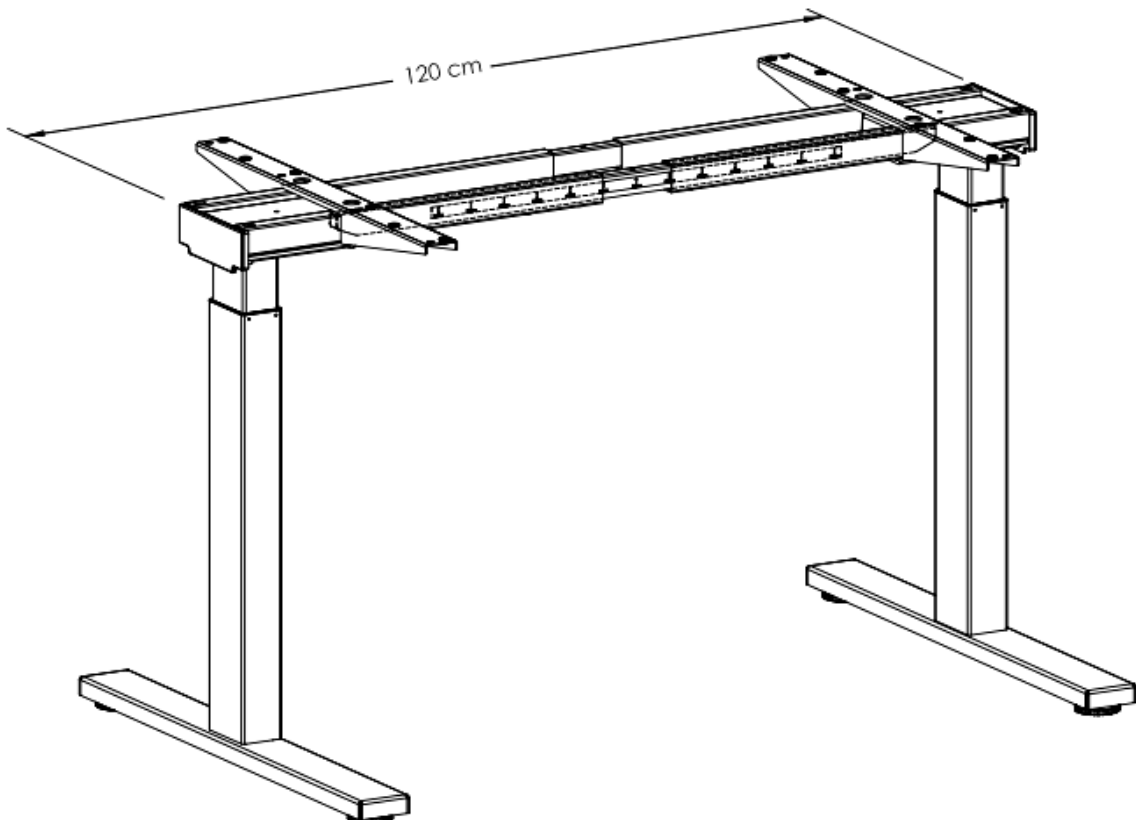
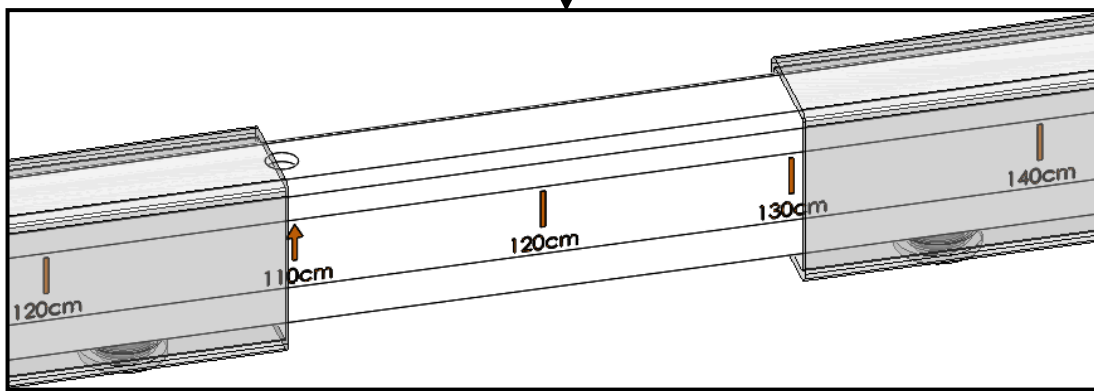


couple de serrage maximal : 10N-m

3.5 Guide de mise en place du cadre 120 cm

 Mise en place du cadre 120 cm - Décalez la barre transversale intérieure de 110 cm et 130 cm comme indiqué sur le schéma ci-dessous.

 2

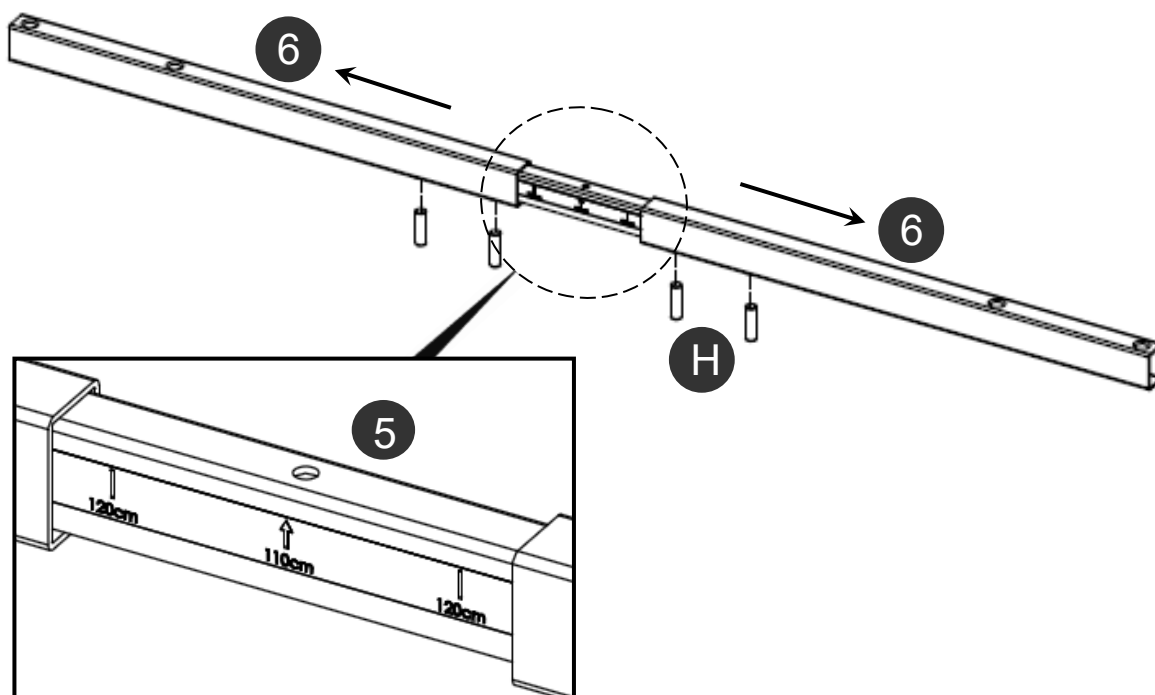


3.6 Prémontage des barres transversales pour la mise en place du cadre pour 130 cm, 150 cm et 170 cm

Français

Dimensions supérieures recommandées

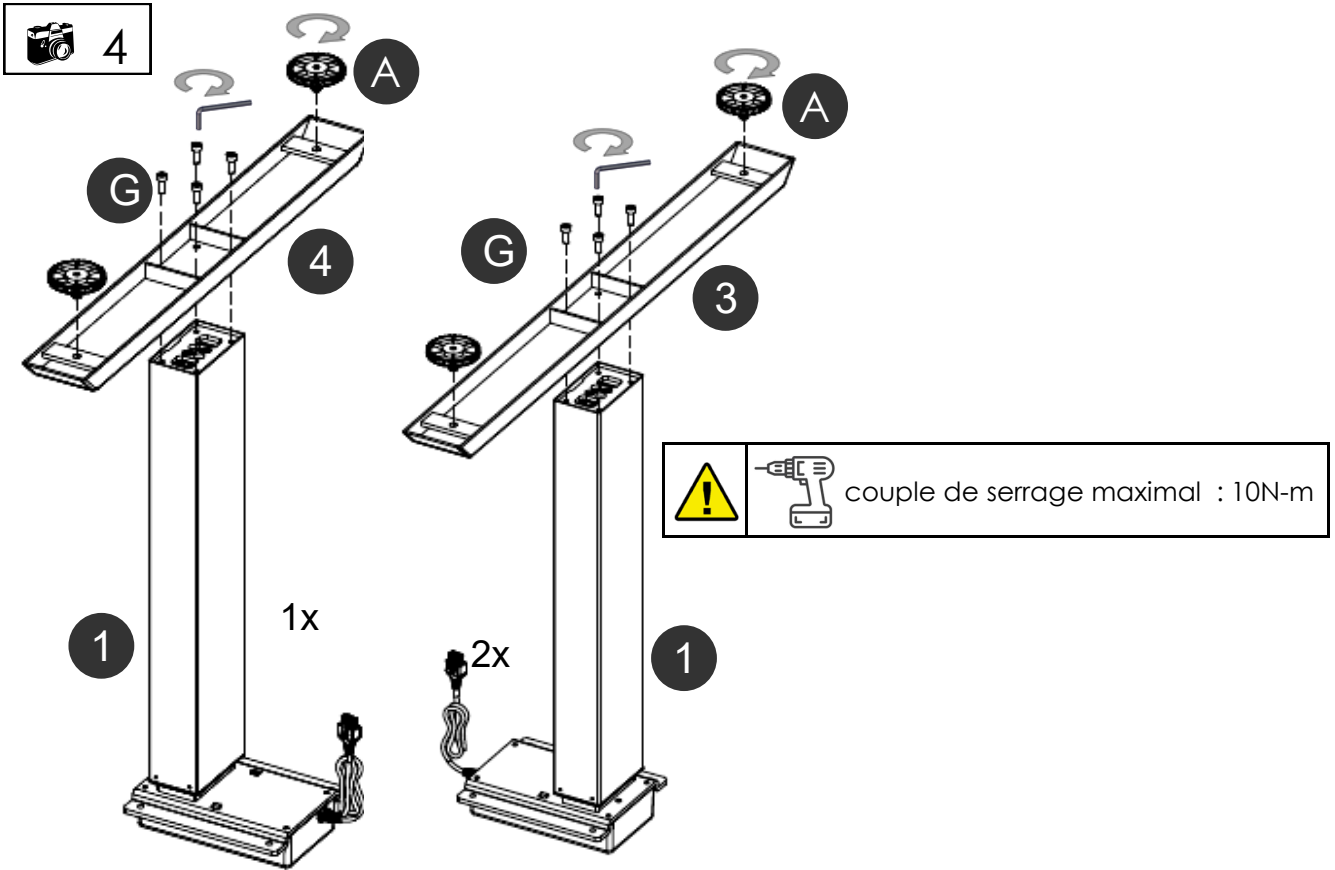
Mise en place du cadre	Largeur / dimension de plateau	Profondeur / dimension de plateau	Épaisseur de plateau
130 cm	140 cm	80 cm	2,5 cm
150 cm	160 cm	80 cm	2,5 cm
170 cm	180 cm	80 cm	2,5 cm



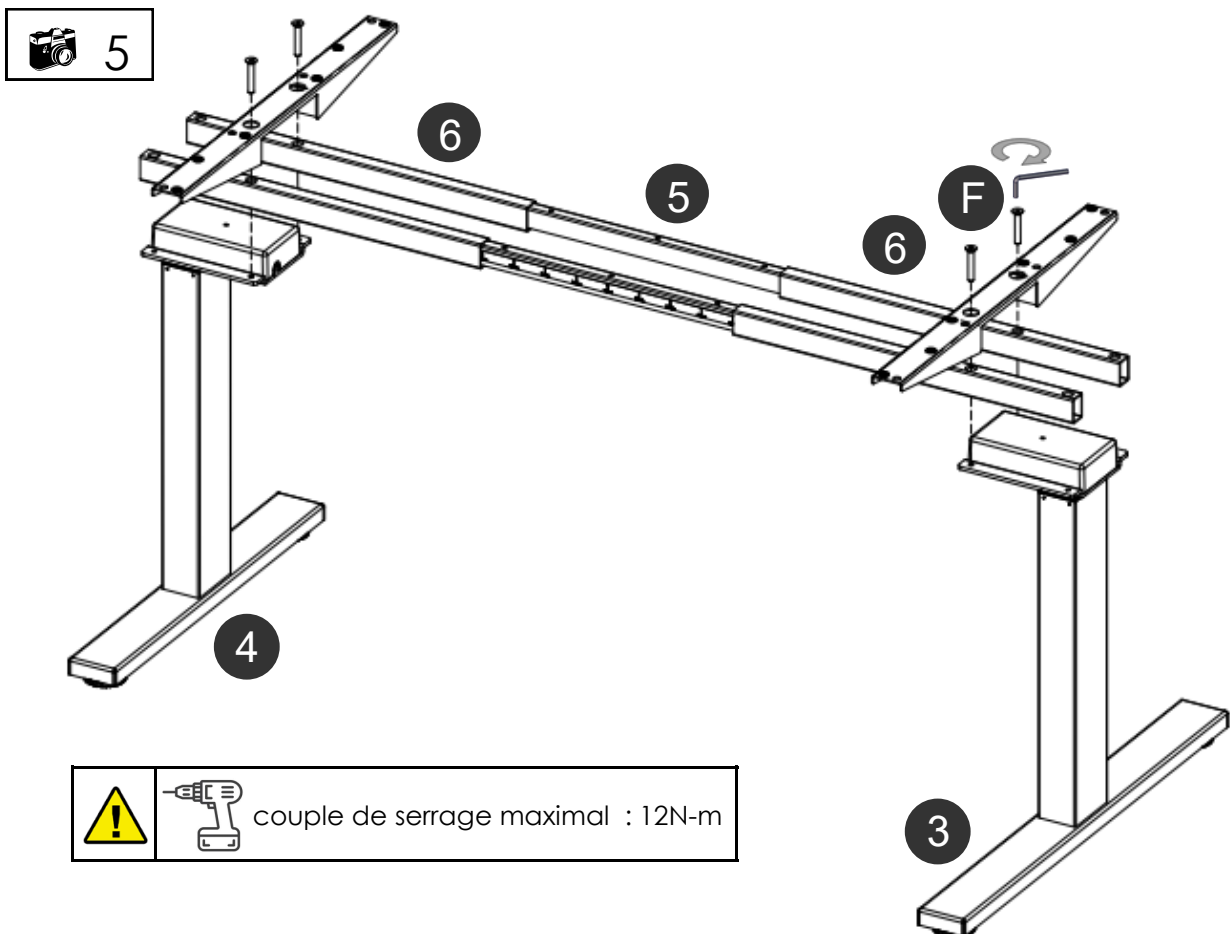
Ne serrez pas encore les vis de réglage sur les barres transversales !

3.7 Montage des pieds

Français



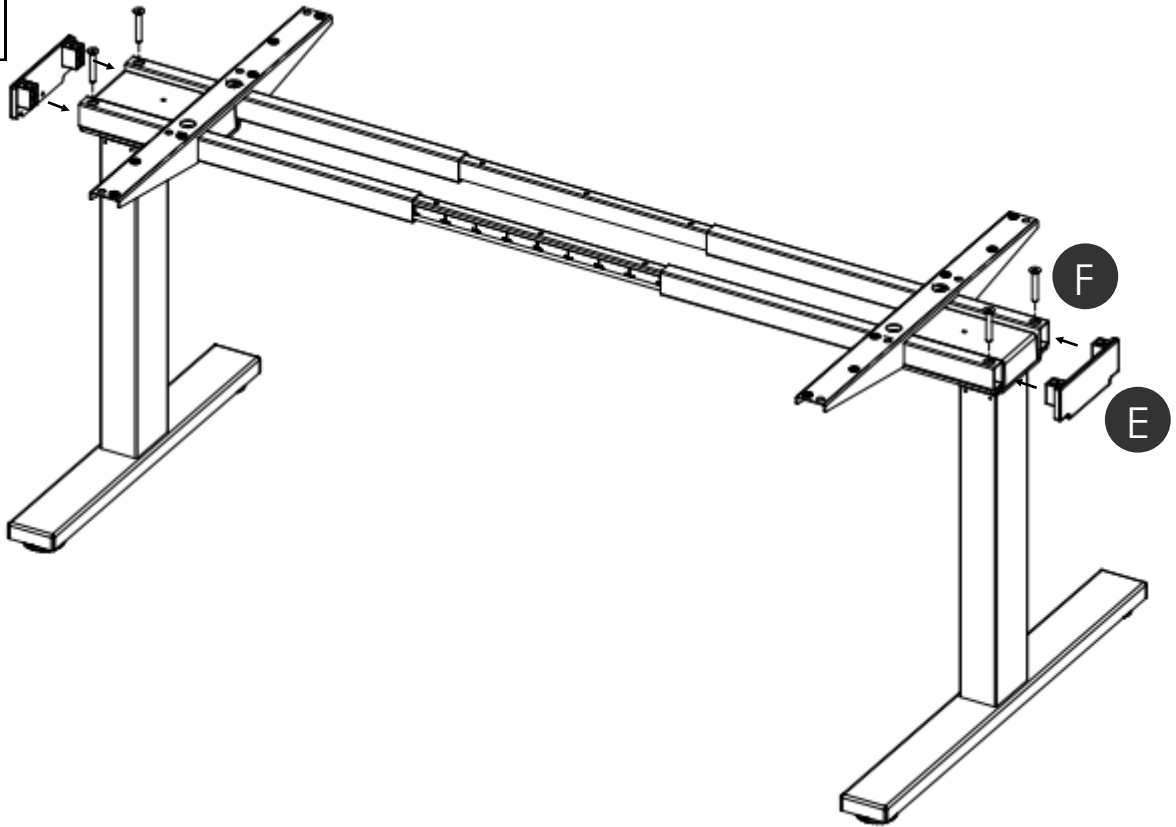
3.8 Montage de la barre transversale et du support supérieur



3.9 Montage du couvercle

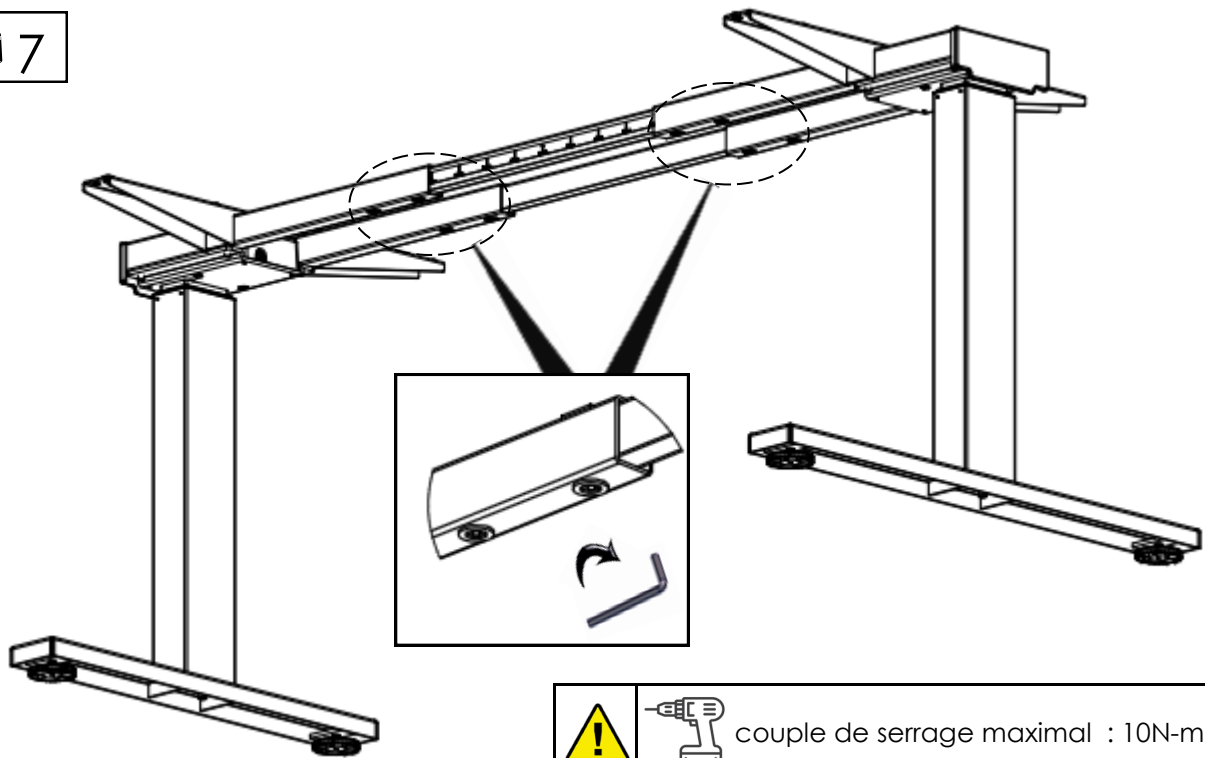
Français

6



3.10 Réglage de la largeur du cadre

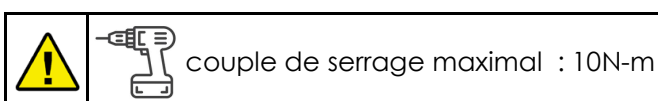
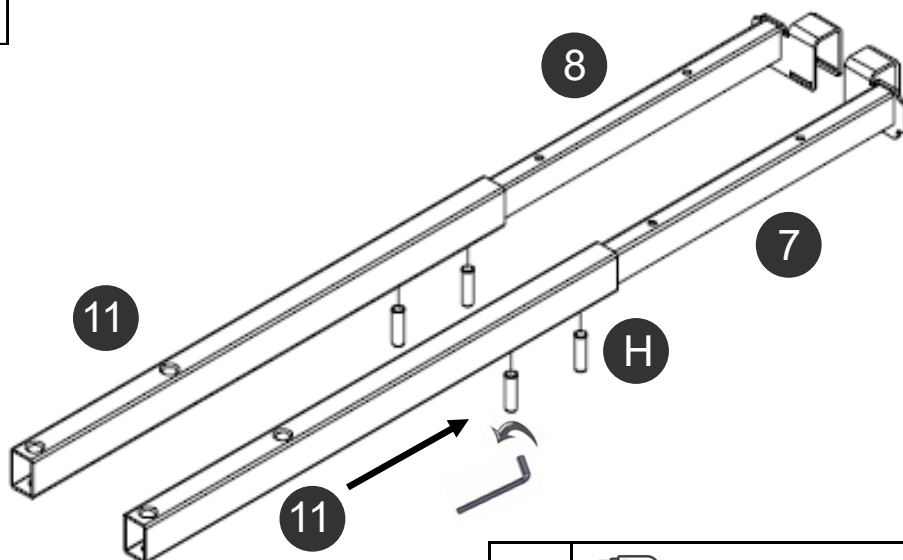
7



Réglez le cadre à la largeur désirée. Serrez les vis de réglage sur la barre transversale avec la clé Allen M5.

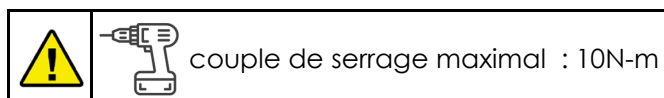
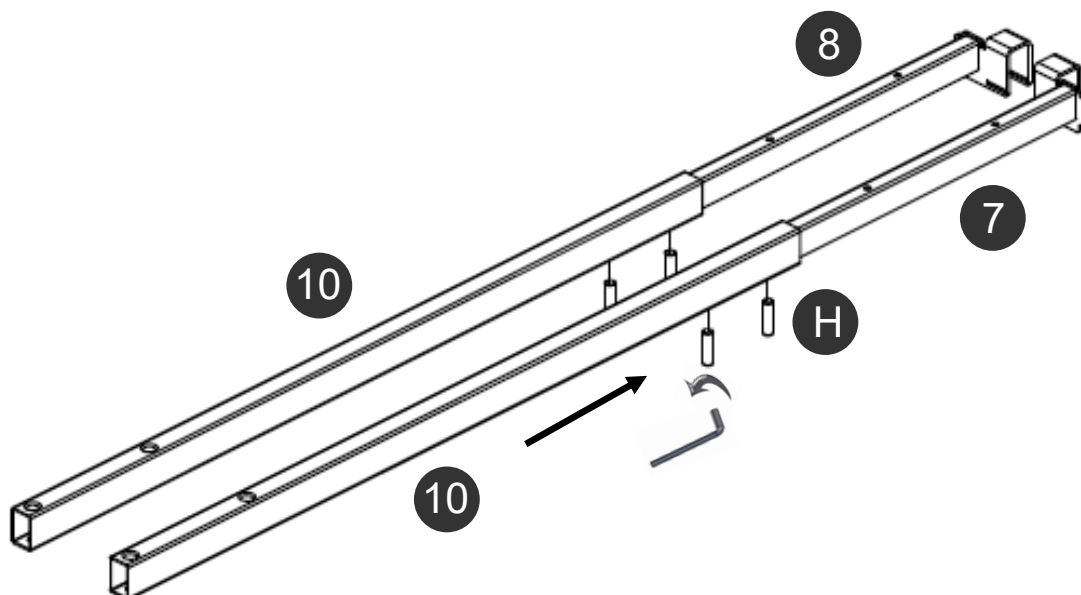
3.11 Prémontage des barres transversales de retour latéral de 1200 mm-1400 mm

Français



- Réglage de la largeur de la barre transversale !
- Serrez les vis de fixation après avoir assemblé les composants.

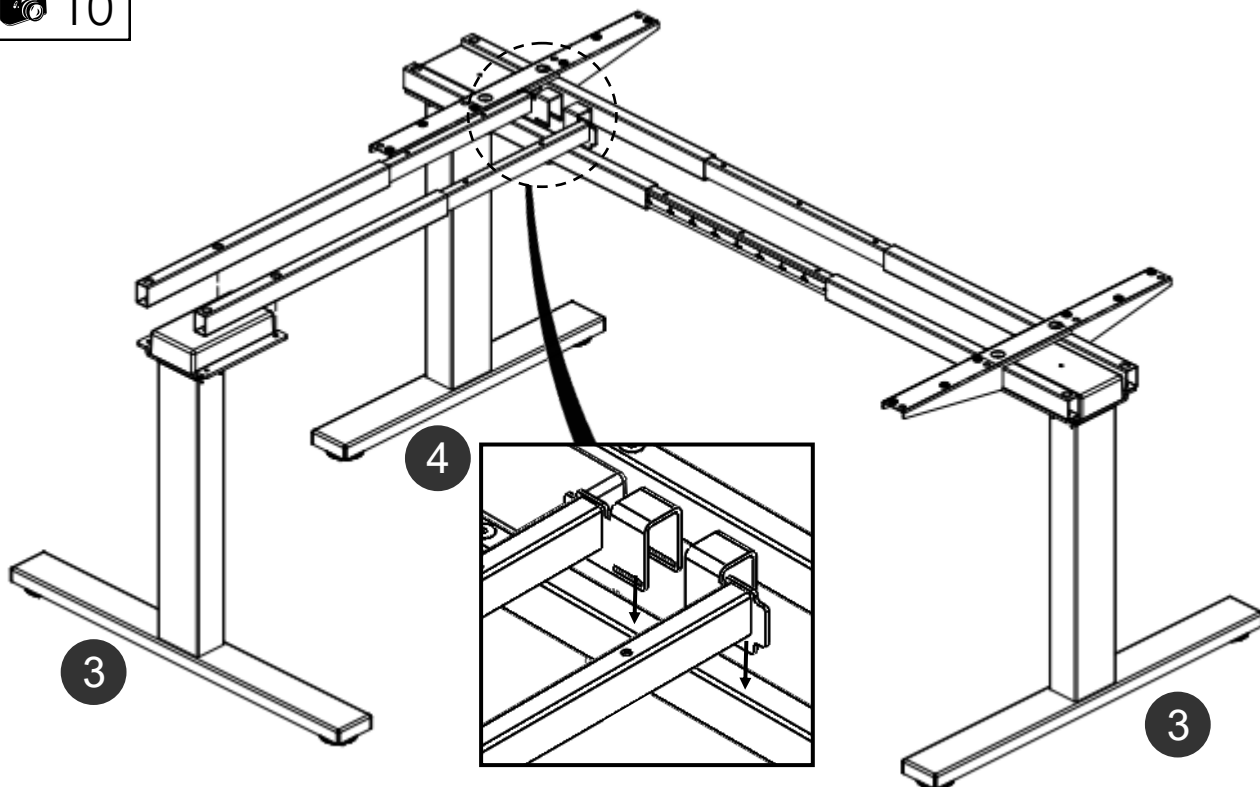
3.12 Option 2 - Prémontage des barres transversales de retour latéral de 1600 mm-1800 mm



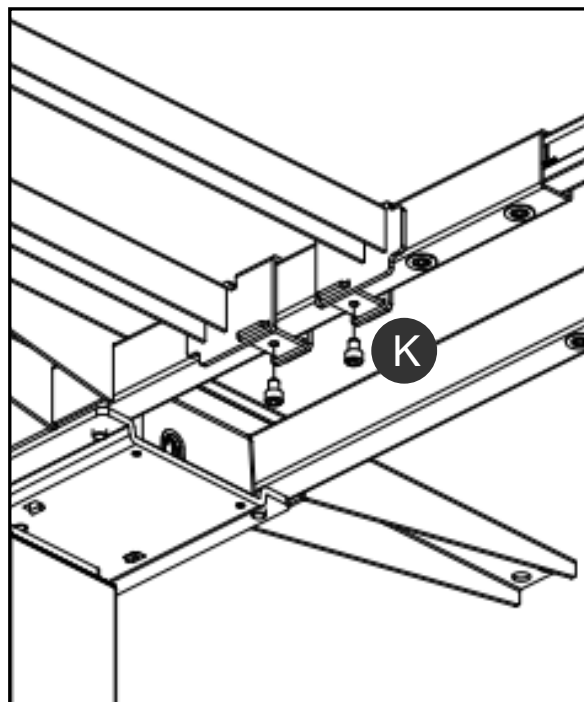
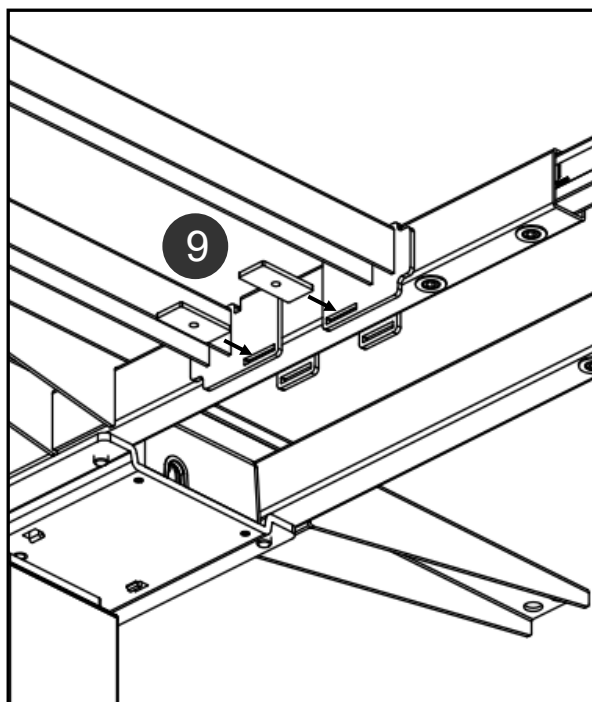
- Réglage de la largeur de la barre transversale !
- Serrez les vis de fixation après avoir assemblé les composants.

3.13 Montage des barres transversales de retour latéral

Français



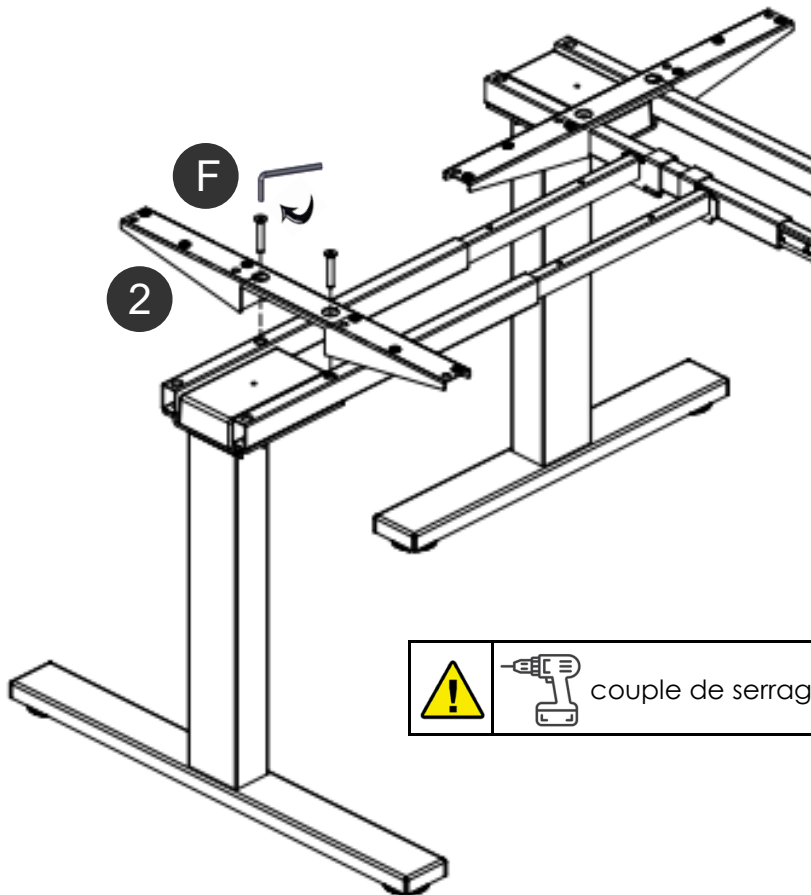
3.14 Montage des plaques de verrouillage



3.15 Montage du support supérieur de retour latéral

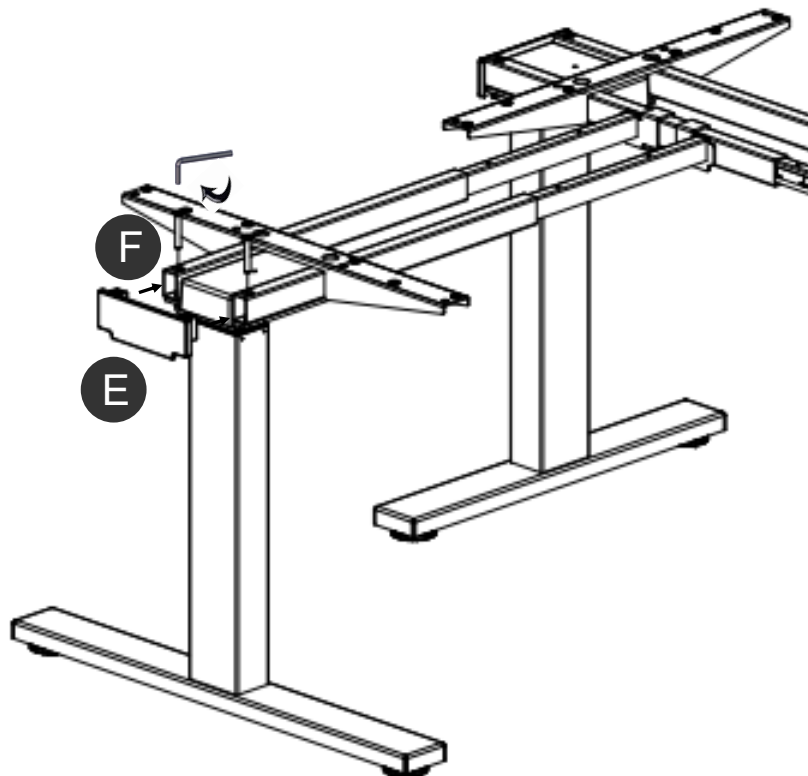
Français

 12



3.16 Montage du couvercle de retour latéral

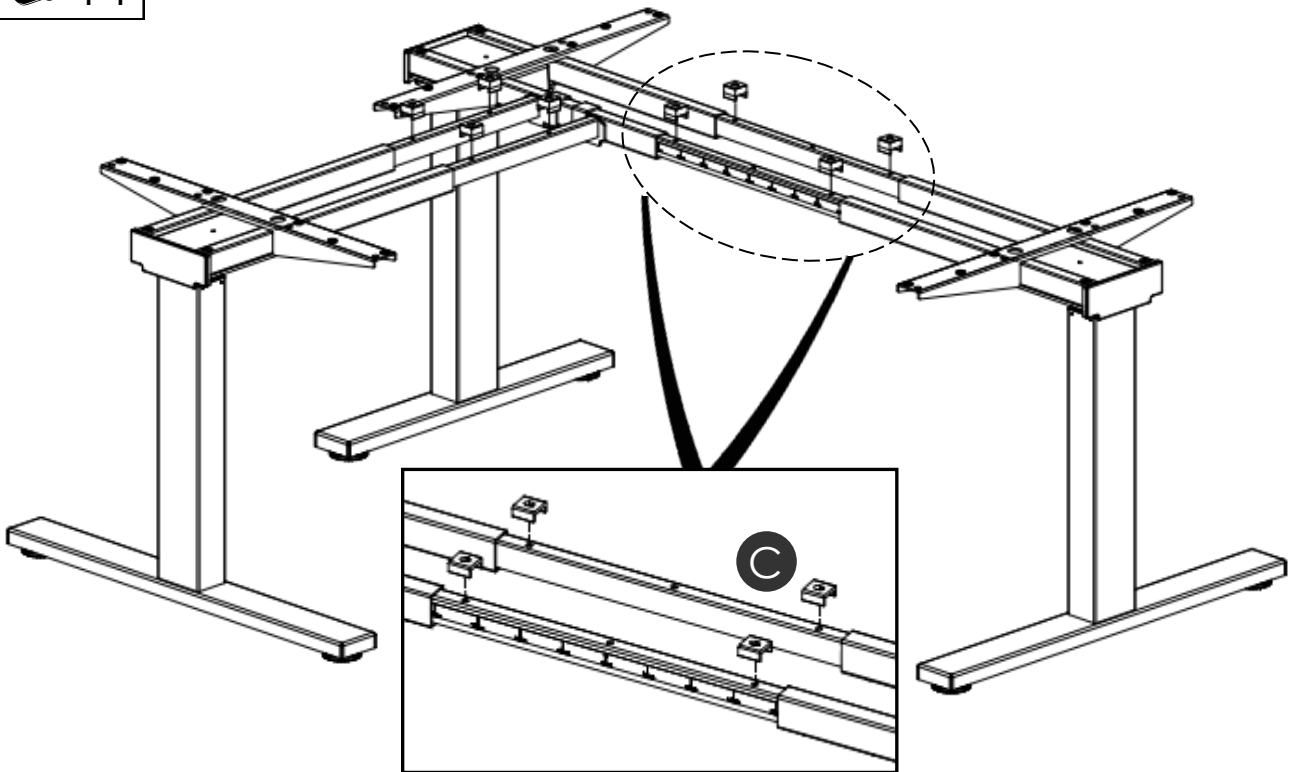
 13



3.17 Montage des espaceurs

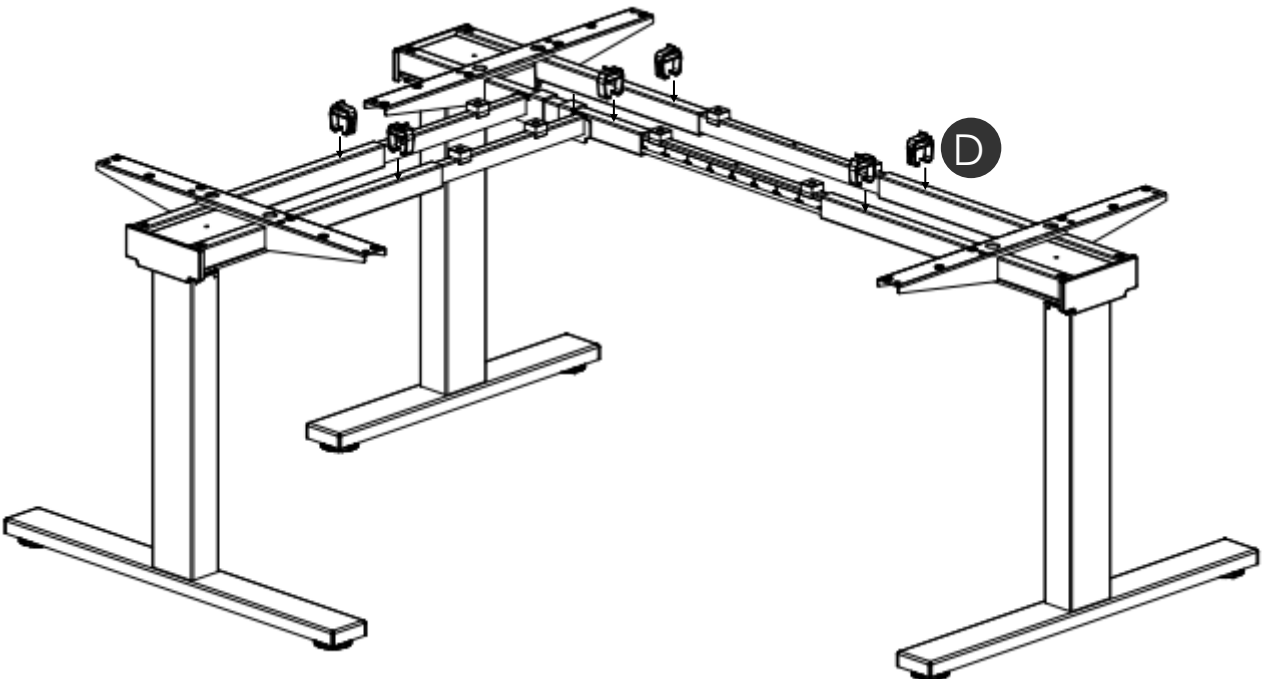
Français

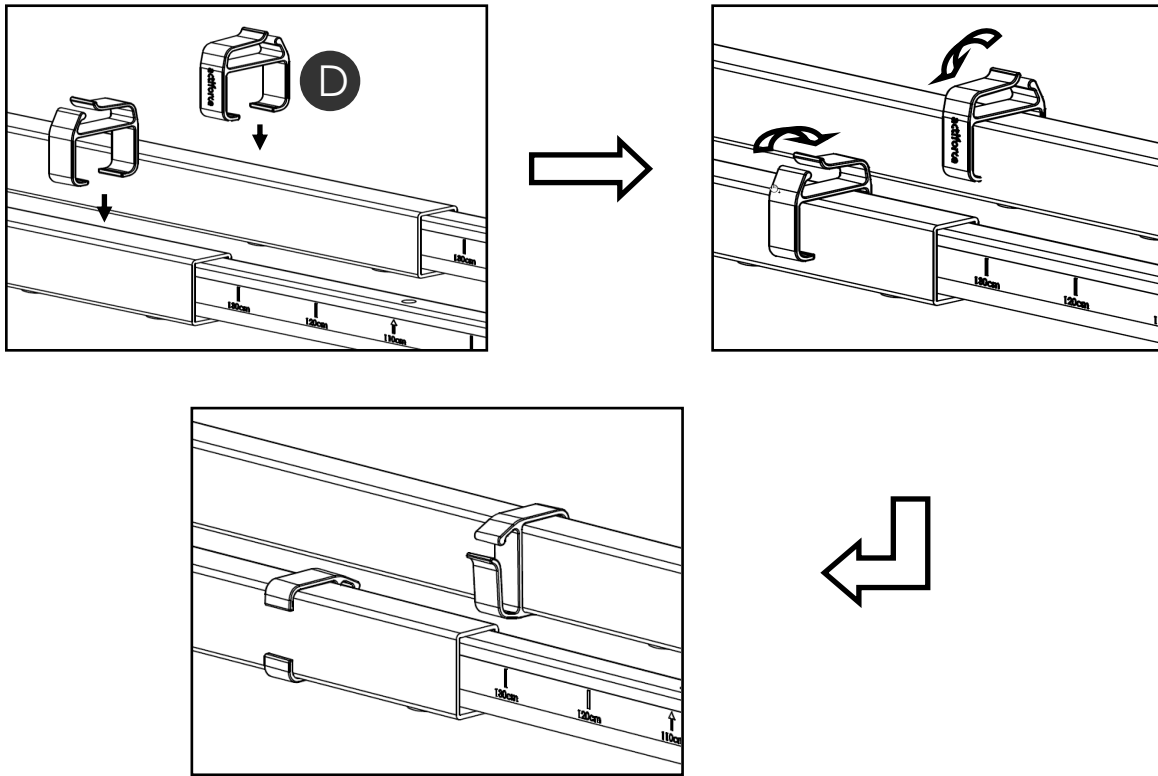
 14



3.18 Montage des clips de câble

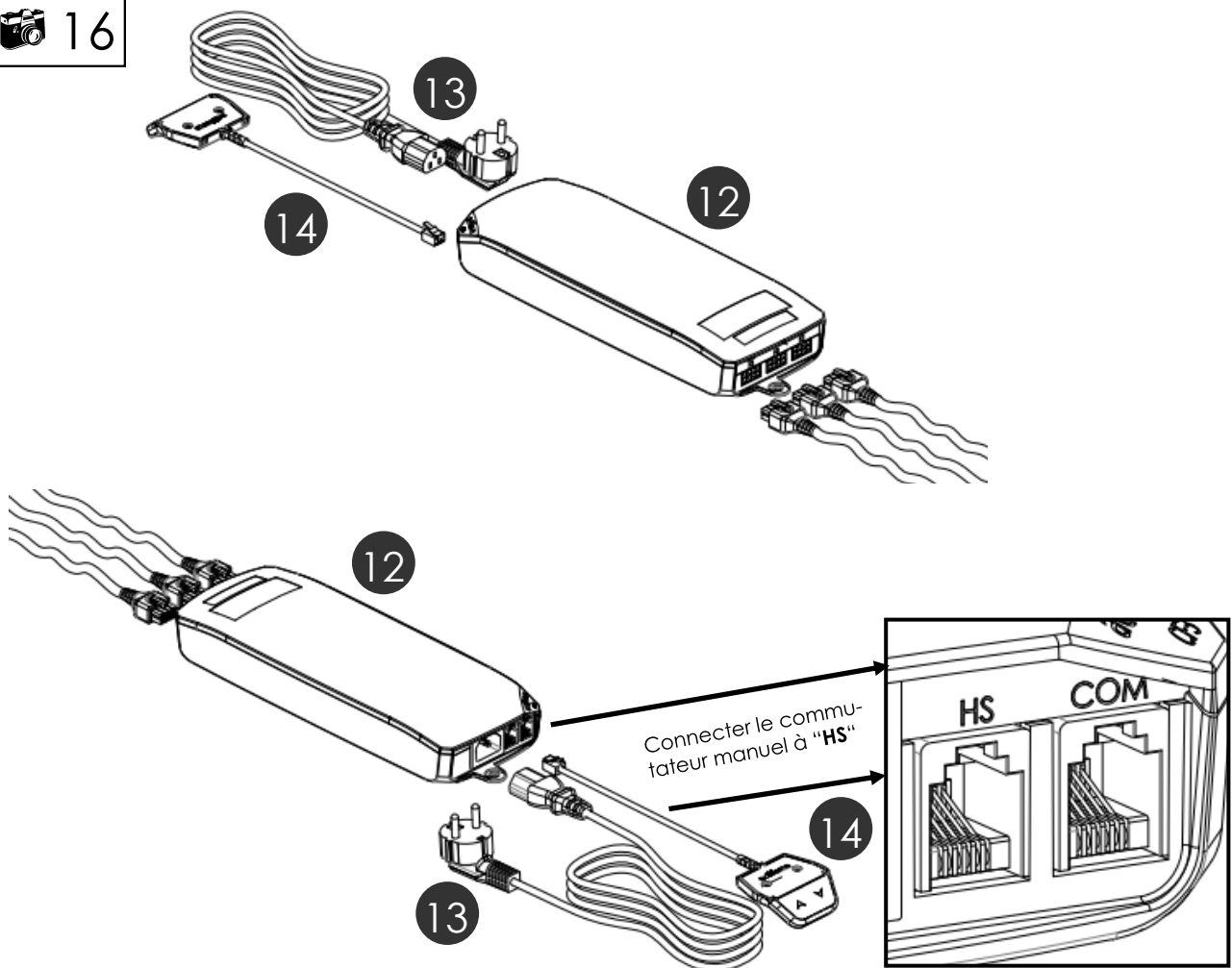
 15





3.19 Connexion des composants électriques


 16

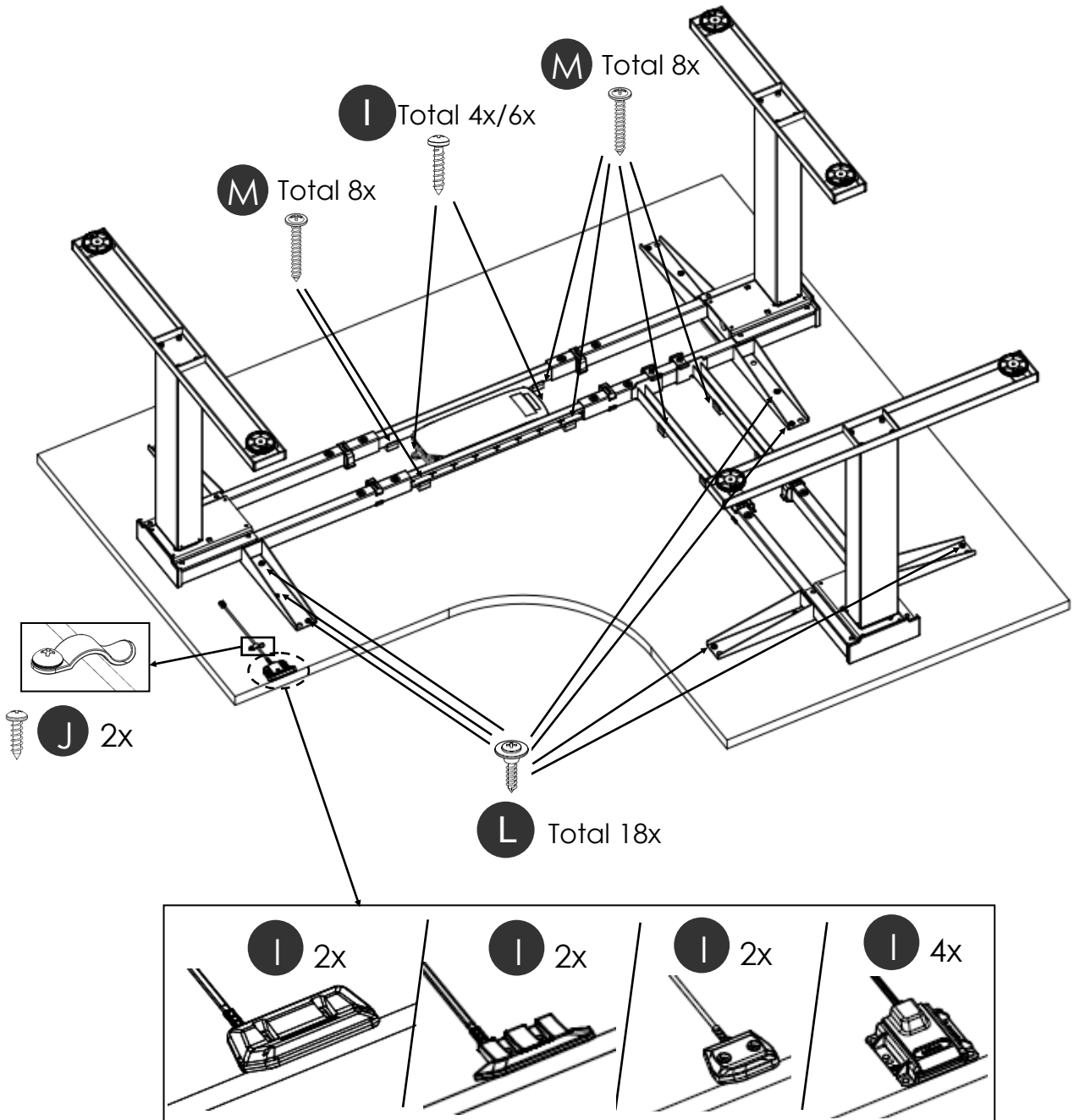


3.20 Montage du plateau

3.21 Montage de l'alimentation électrique sous le plateau




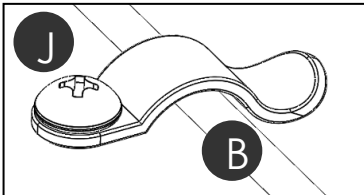
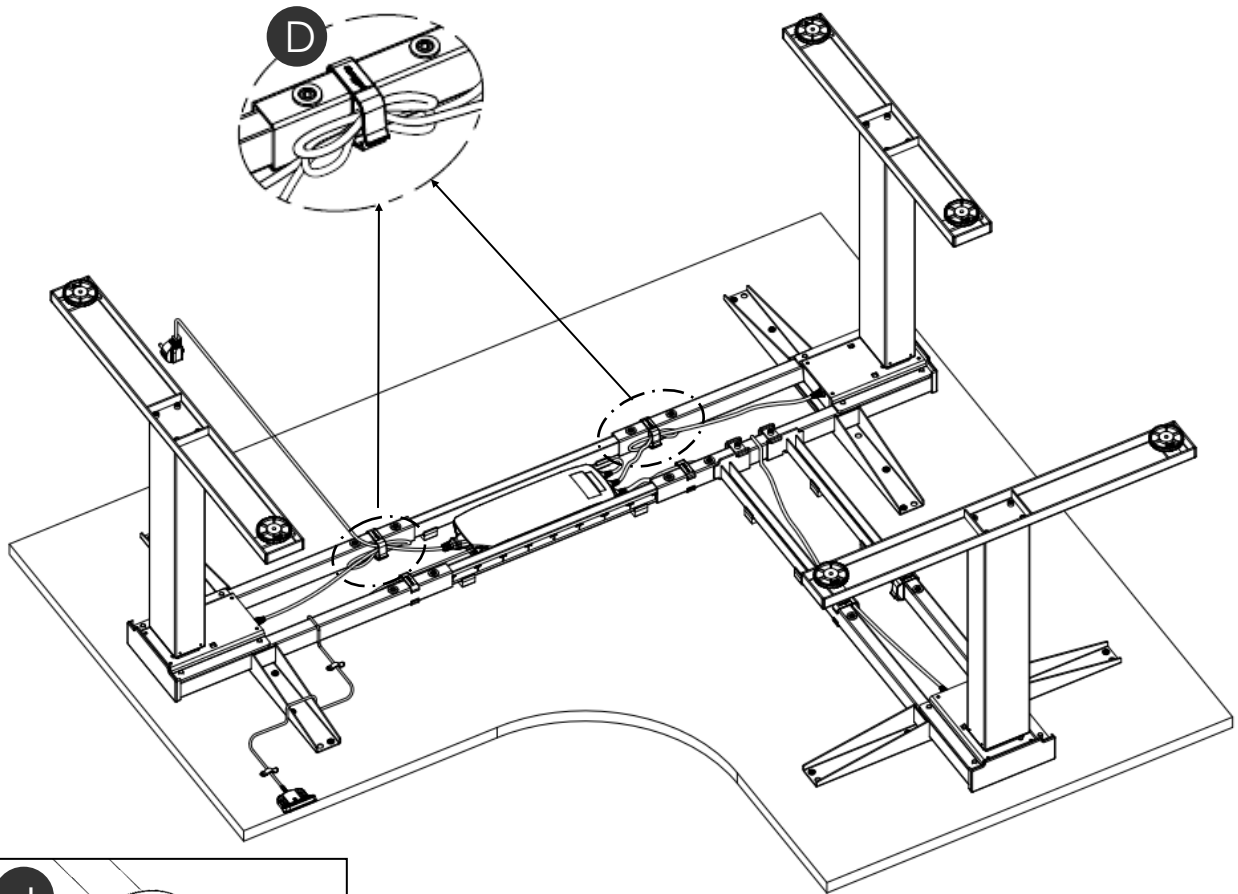
 N'oubliez pas que le bureau que vous assemblez est réglable en hauteur. Les câbles des composants électriques doivent pouvoir suivre librement le mouvement du bureau.

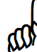


3.22 Montage du clips de câble

 18

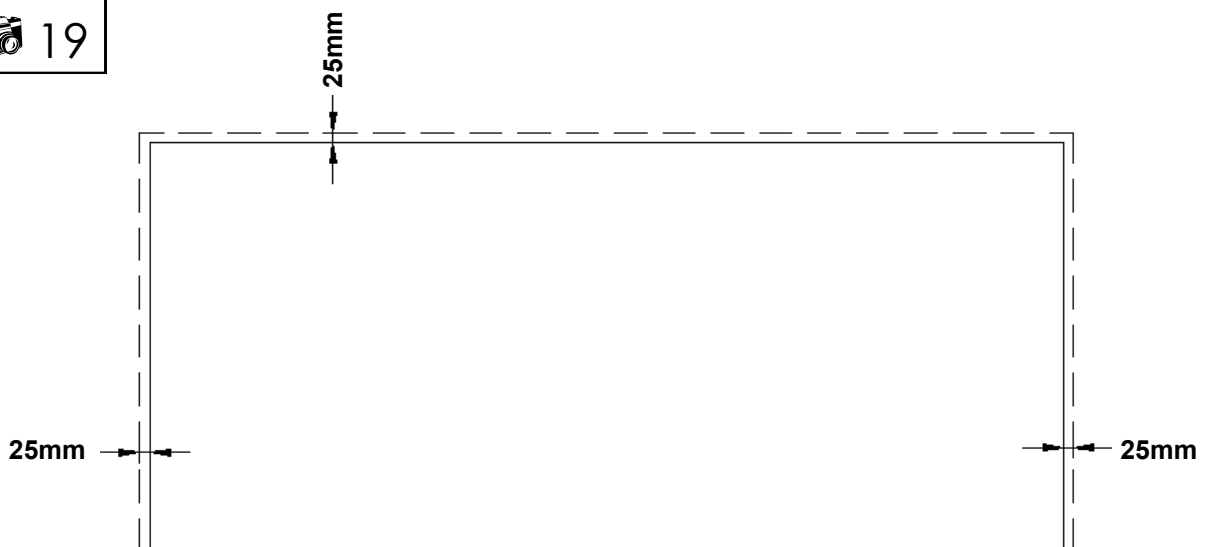
 Reliez les câbles libres avec une attache de câble

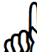





 Montez les clips pour le câble. Placez le câble dans chaque clip de câble.

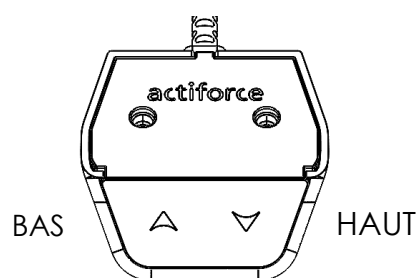
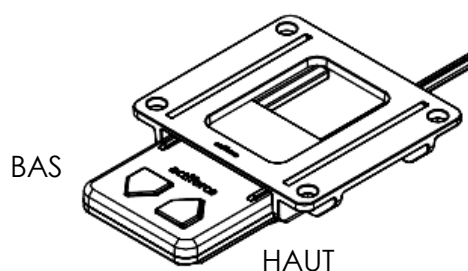
3.23 Espace autour du mur et des pièces mobiles à 25 mm du plateau

 19



 Laissez un espace minimum de 25 mm entre le bord du plateau et un mur ou des pièces mobiles.

	Veillez vous assurer que le cadre de poste de travail se déplace toujours correctement et librement.
	Si vous devez débrancher les câbles des composants électriques, veillez toujours à couper l'alimentation électrique au préalable.
	Si le réglage de la hauteur ne fonctionne pas normalement, cessez immédiatement d'utiliser le cadre de poste de travail et débranchez l'alimentation. Contactez le service clientèle pour obtenir des conseils supplémentaires

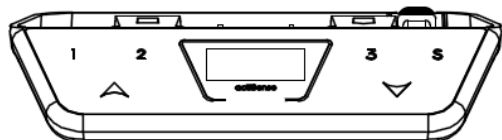


Mode de réinitialisation

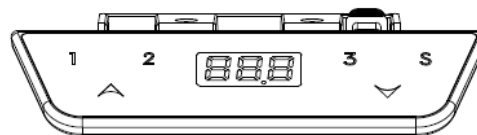
La première fois que vous branchez la fiche électrique dans la prise, le réglage de la hauteur ne peut être utilisé qu'en mode de réinitialisation. Tant que le mode de réinitialisation est activé, le système ne peut se déplacer que vers le bas. Afin d'utiliser le système normalement, veuillez suivre les étapes suivantes :

- Appuyez et maintenez le bouton vers le bas, le système se déplace lentement vers le bas.
- Mettez le système dans la position la plus basse. Cette position sera utilisée comme point de référence (point zéro).
- Maintenez le bouton enfoncé pendant un moment lorsque le système a atteint la position la plus basse. Ceci mettra fin au mode de réinitialisation.
- Le système peut maintenant être utilisé normalement. Enfoncez et maintenez le bouton vers le haut-bas pour déplacer le système à la hauteur désirée. Le système s'arrête lorsque vous relâchez les boutons.

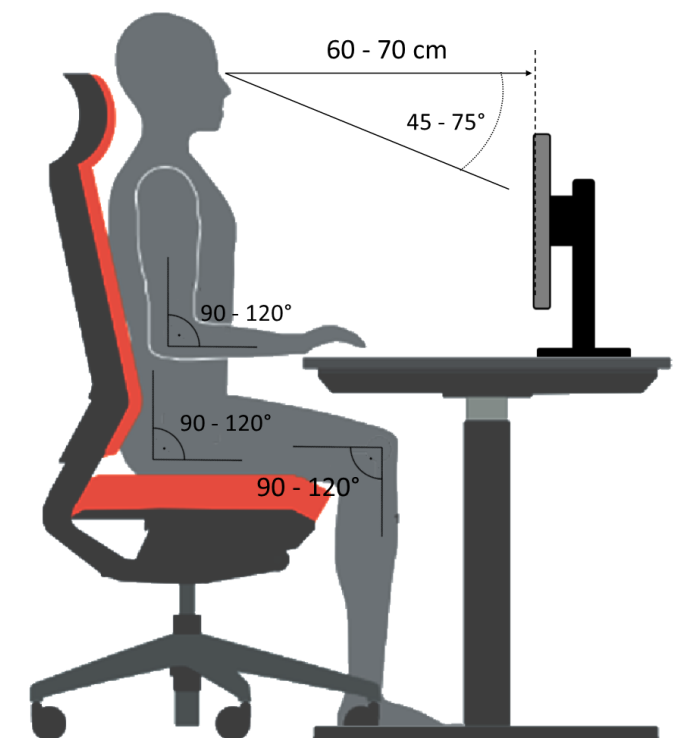
Fonctions du Pro Memory (en option)



Pour les instructions de montage de l'actiSwitch Pro Memory, veuillez consulter le manuel SLS-IM0061



Pour les instructions de montage de l'actiSwitch Ecoo Memory, veuillez consulter le manuel SLS-IM0081



Position assise correcte

Une mauvaise position assise peut entraîner des blessures aux articulations, aux tendons et aux muscles. Pour l'éviter, il est nécessaire de régler votre siège et votre bureau.

Outre le conseil suivant, vous devez toujours éviter une position assise inconfortable. Si vous pensez que les conseils suivants vous conduisent à une position assise inconfortable, adaptez simplement vos besoins.

Siège de bureau

- La hauteur d'assise doit être réglée de manière à ce que votre genou soit sous un angle de 90 à 120° lorsque votre pied repose à plat sur le sol.
- Pour être correctement assis, il faut que le bas du dos touche le dossier. Si possible, alignez la profondeur d'assise afin d'éviter toute pression du siège sur le bas de votre jambe.
- Tenez-vous droit, mais penchez-vous en arrière dans une position détendue. Si possible, adaptez le support lombaire de votre siège à votre hauteur.
Réglez le dossier de manière à pousser le haut du corps légèrement vers l'avant, tout en offrant suffisamment de souplesse pour supporter le mouvement.
- Si possible, ajustez la hauteur de vos accoudoirs. Vos épaules doivent être dans une position détendue lorsque vos bras touchent l'accoudoir.

Bureau

- Réglez la hauteur de la table dès que vous avez trouvé votre position assise correcte.
- Vos coudes doivent être inclinés de 90 à 120° lorsque vos bras reposent sur le plateau. Le bord du plateau ne doit pas appuyer sur vos bras.

Équipement sur le bureau

- La lumière incidente (lumière du jour ou lampes) sur votre moniteur doit toucher la surface de votre écran selon un angle de 90°.
- La hauteur de votre moniteur doit être réglée de manière à ce que vous puissiez regarder légèrement vers le bas tout en vous concentrant sur le centre de votre écran.
- Veuillez garder une distance de 60-70 cm par rapport à votre écran.
- Un clavier plat et étroit permet d'obtenir une bonne position pour vos poignets.
- **Veuillez tenir compte des conseils figurant dans les manuels de vos autres équipements (ergonomiques).**

5 Spécifications techniques

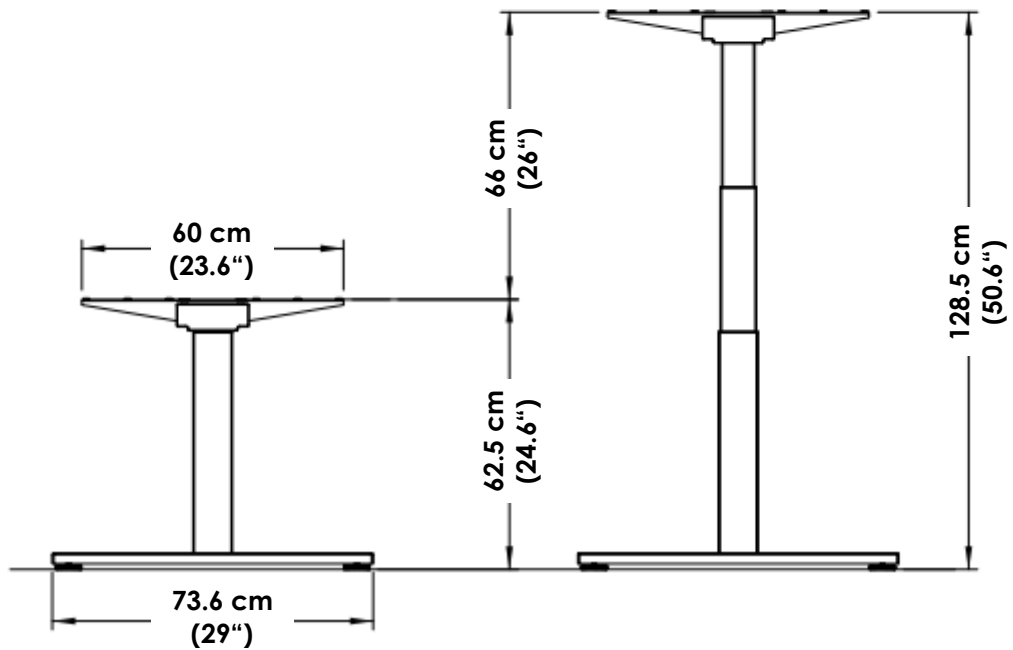
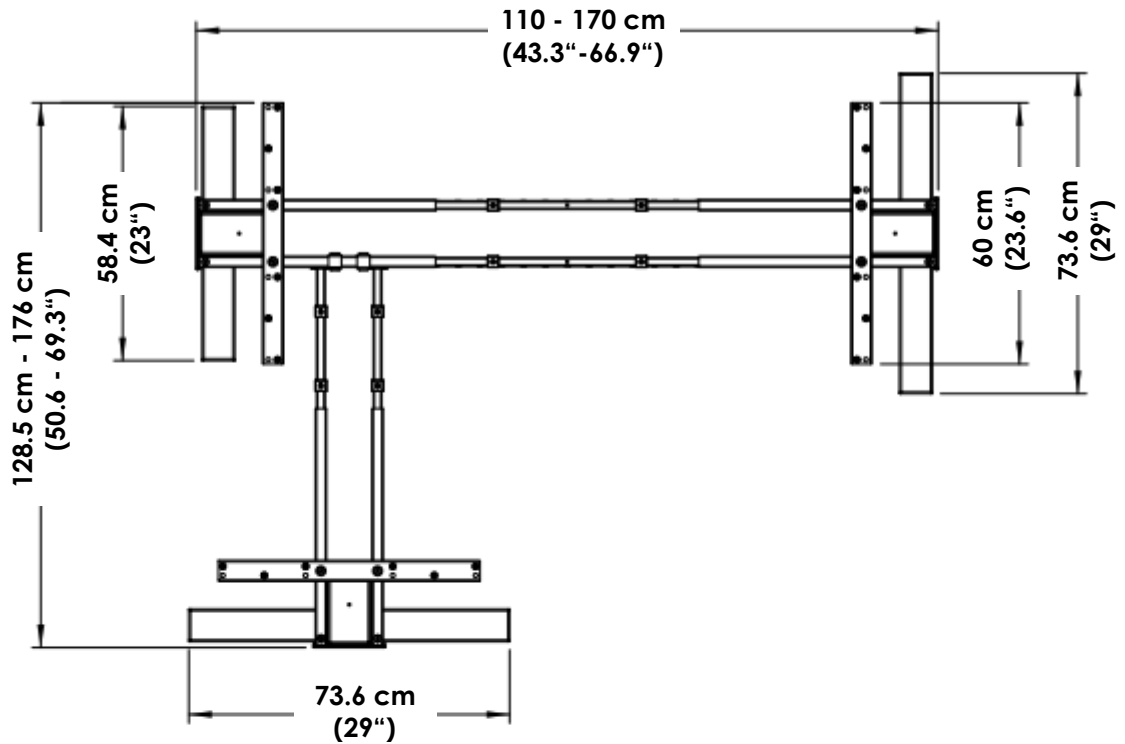
Français

Cadre pour poste de travail assis-debout

Version du manuel de montage	SLS-IM0119-3EN-DE-NL-FR-HT
Année de construction	2022
Pays de production	Malaisie
Système	2 étapes
Matériau	Acier, Aluminium et Plastique
Course (max.)	660mm (26")
Charge du cadre (max.)	150 kg
Poids du cadre Steelforce Pro Highline 671 (60x90) 90° XL SLS EN527	± 45.5 kg
Charge de cadre Speed	± 39 mm/s
Alimentation d'entrée ControlForce 3	100-240Vca, 50/60Hz, 5A max
Cycle de service	10 % (2 Minutes marche / 18 Minutes arrêt)
Niveau sonore	< 45 dB(A)
Température ambiante d'utilisation	15 - 30°C
Température ambiante de stockage	10 - 50°C
Humidité utilisation	<85 %
Humidité stockage	<50 %
Durée maximale de stockage	-
Usage intérieur uniquement !!!	

(* Tolérance générale = ± 10 mm)

Français



Hauteur minimale du cadre	62.5 cm (24.6")
Hauteur maximale du cadre	128.5 cm (50.6")
Course maximale	66 cm (26")
Largeur du cadre	110-170 cm (43.3"-66.9")
Profondeur du cadre	73.6 cm (29")
Profondeur minimale du plateau	60 cm (23.6")
Charge de cadre maximale	150 kg



Veillez respecter les dispositions de la section 2, Informations relatives à la sécurité, page 7, en particulier :

Ne laissez pas les enfants sans surveillance avec le cadre du poste de travail. Les enfants peuvent ignorer les dangers que présente le cadre du poste de travail. Ils risqueraient de se blesser gravement, voire de subir des conséquences mortelles.

Ne dépassez pas le temps de décalage maximal du cadre de poste de travail. Assurez-vous qu'il y a suffisamment d'espace pour éviter les accidents s'il y a des objets sur le plan de travail tels que des ordinateurs ou des périphériques.

6.1 Indicateurs



Quittez immédiatement les environs immédiats du cadre du poste de travail s'il commence à bouger spontanément. N'essayez en aucun cas de faire fonctionner le cadre du poste de travail.

Cessez immédiatement d'utiliser le cadre du poste de travail si vous remarquez quelque chose d'inhabituel (sons étranges, fumée, etc.).

Faites réparer le cadre du poste de travail par des spécialistes. Abstenez-vous d'utiliser le cadre de poste de travail tant qu'il n'a pas été correctement réparé.

Arrêtez immédiatement d'utiliser le cadre du poste de travail si ses dispositifs de sécurité ne fonctionnent pas comme ils le devraient.

7 Dépannage

Problème	Cause possible	Solution
Le réglage en hauteur ne fonctionne pas	Câbles ou connecteurs défectueux.	Vérifiez que les câbles ne sont pas endommagés et remplacez-les si nécessaire. L'alimentation fonctionne-t-elle correctement ?
Le réglage en hauteur ne fonctionne pas	Si les câbles et les connecteurs ont été vérifiés, une cause possible pourrait être un commutateur vers le haut-bas défectueux.	Remplacez le commutateur vers le haut-bas.
Le réglage en hauteur ne fonctionne pas	Erreur dans l'alimentation électrique.	Lancez le redémarrage.

Si votre problème n'a pu être résolu ou n'est pas mentionné dans cette liste, veuillez contacter votre service clientèle pour obtenir des conseils supplémentaires,

8 Service clientèle

Français

Assurez-vous d'avoir les informations sur le cadre de poste de travail à portée de main lorsque vous prenez contact avec le service clientèle.

Revendeur :

9 Fabricant

Actiforce International B.V.

Het Steenland 20
3751 LA Bunschoten-Spakenburg
Pays-Bas

+31 (0)33 4600120
www.actiforce.com
info.holland@actiforce.com

10 Recyclage

10.1 Désactivation du poste de travail

- Retirez la fiche d'alimentation de la prise de courant.

10.2 Démontage du poste de travail

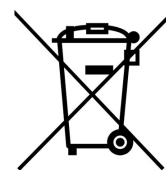
- Pour le démontage, veuillez suivre le manuel à l'envers ou prendre contact avec le service clientèle.

10.3 Recyclage

- Veuillez répartir toutes les pièces en fonction de leur type de matériau. Tenez compte des restrictions nationales !

10.4 WEEE- Déchets d'équipements électriques et électroniques

Les équipements électriques et électroniques (EEE) contiennent des matériaux, des composants et des substances qui peuvent être dangereux et présenter un risque pour la santé humaine et l'environnement lorsque les déchets d'équipements électriques et électroniques (WEEE) ne sont pas traités correctement. Les équipements marqués de la poubelle barrée ci-dessous sont des équipements électriques et électroniques. Le symbole de la poubelle barrée indique que les déchets d'équipements électriques et électroniques ne doivent pas être jetés avec les déchets ménagers non triés, mais bien collectés séparément.



À cette fin, toutes les autorités locales ont mis en place des programmes de collecte permettant aux résidents de déposer leurs déchets d'équipements électriques et électroniques dans un centre de recyclage ou d'autres points de collecte, ou la collecte directe des WEEE à domicile. Des informations plus détaillées sont disponibles auprès de l'administration technique de l'autorité locale concernée. Les utilisateurs d'équipements électriques et électroniques ne doivent pas jeter les WEEE avec les déchets ménagers. Les résidents doivent utiliser les systèmes de collecte municipaux pour réduire les effets négatifs sur l'environnement liés à l'élimination des déchets d'équipements électriques et électroniques et pour augmenter les possibilités de réutilisation, de recyclage et de valorisation de ces déchets.

11 Déclaration de conformité CE au sens de la directive machine 2006/42/CE, Annexe II A

Français

Nous confirmons par la présente que l'appareil tel que décrit ci-dessous est conforme aux directives européennes en vigueur (en particulier aux directives mentionnées ci-dessous) et que la production en série sera réalisée en conséquence.

Description de l'article :	Electrical Height Adjustable Frame For Table		
Numéro d'article :	SLS73d15*079** <i>Le 1er symbole ^{**1} peut être 8 (Pro-Basic RJ11), 9 (Eco-Basic Slide RJ11), A (Pro Memory) ou E (Eco Memory).</i> <i>Le 2e symbole ^{**1} peut être 11, 18, 29, 30, 78, 82, 83, 90, 94. J4 etc.</i> <i>Le 3e symbole ^{**1} peut être UE, NL, DE, DK, US, GB, WE, MY, CH, TA, TC, TG, TI, TD etc.</i>		
Modèle :	Steelforce Pro Highline 671 (60x90) 90° XL SLS EN527		
les types :	Spindle Lift System		
Spécifications techniques :	Largeur 1	:	1100 mm – 1700 mm
	Largeur 2	:	1285 mm - 1760 mm
	Hauteur	:	625 mm - 1285 mm
	Profondeur	:	736 mm
	Système	:	2 étapes, électromoteur
	Matériel	:	Acier, plastique et aluminium
	Charge max.	:	150.0 kg

Directives UE en vigueur :
Directive machines (2006/42/CE)
Directive CEM (2014/30/UE)
Directive RoHS (2011/65/EU)

Les normes harmonisées suivantes ont été appliquées :

EN 61000-3-2:2019 EN 61000-3-3:2013+A1:2019 EN 55014-1:2017 EN 55014-2:2017+A11:2020
EN 60335-1:2012+A11:2014+A13:2017 EN 62233:2008 EN ISO 12100:2010 EN IEC 63000:2018

Autres normes et spécifications techniques utilisées :

UL 962 47 CFR FCC Part 15 Subpart B ICES-003 IEC 60335-1

Adresse de l'importateur / Représentant autorisé : **Actiforce International BV**
Het Steenland 20
3751 LA Bunschoten-Spakenburg
Nederland

Importateur : **Holger Fricke**
(Directeur général)

Cette déclaration de conformité est délivrée sous la seule responsabilité du fabricant.
Signée au nom d'Actiforce Mechatronics Technology (M) Sdn Bhd.

Signature : 
Nom : **Thomas Weidmann**
(Directeur R&D)

Date : **18/Apr/2022**

Région : **Penang, Malaisie**

