

# Rear panel connector

- ▶ RV 7 D
- ▶ Fixing elements

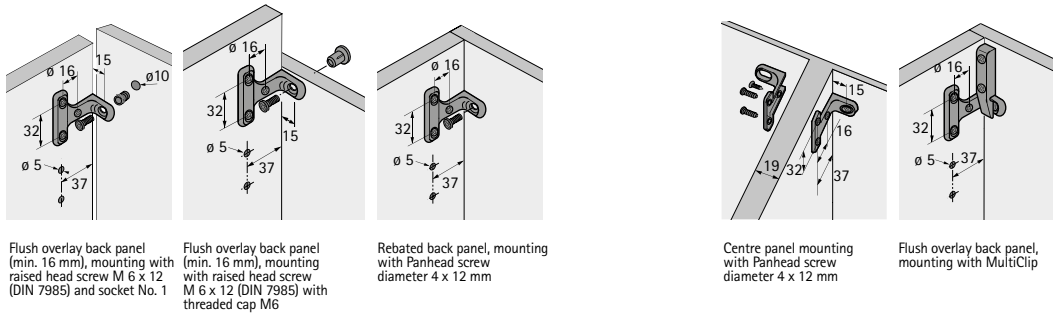
## Rear panel connector RV 7 D



- ▶ With the RV 7 D, the rear panel is secured from the inside
- ▶ This makes assembly work easier because the cabinet can be assembled off the wall
- ▶ The RV 7 D can be mounted with various fixing elements: with countersunk screw, with M6 x 12 panhead screws (DIN 7985) and threaded cap or socket, with direct fixing screw or with the MultiClip
- ▶ Height adjustable by +/- 1 mm at oblong hole
- ▶ Zinc die-cast nickel plated
- ▶ Can be used in System 32

<b>Order no.</b>	PU
<b>0 056 614</b>	1/100 ea.

### Examples of application RV 7 D



Flush overlay back panel (min. 16 mm), mounting with raised head screw M 6 x 12 (DIN 7985) and socket No. 1

Flush overlay back panel (min. 16 mm), mounting with raised head screw M 6 x 12 (DIN 7985) with threaded cap M6

Rebated back panel, mounting with Panhead screw diameter 4 x 12 mm

Centre panel mounting with Panhead screw diameter 4 x 12 mm

Flush overlay back panel, mounting with MultiClip

### Accessories, RV 7 D / fixing elements



Article version	Dimensions mm	Order no.	PU
Direct fixing screw	ø 6.3 x 13	<b>0 040 007</b>	200 ea.
Countersunk head screw	ø 3.5 x 12 mm	<b>0 058 244</b>	200 ea.
Panhead screw	ø 4 x 12	<b>0 058 243</b>	200 ea.
Oval head screw	M6 x 12	<b>0 058 242</b>	200 ea.
Threaded cap, white		<b>0 058 301</b>	1/1000 ea.
Socket No. 100	M6	<b>0 079 540</b>	1/200 ea.
MultiClip		<b>0 046 080</b>	1/200 ea.