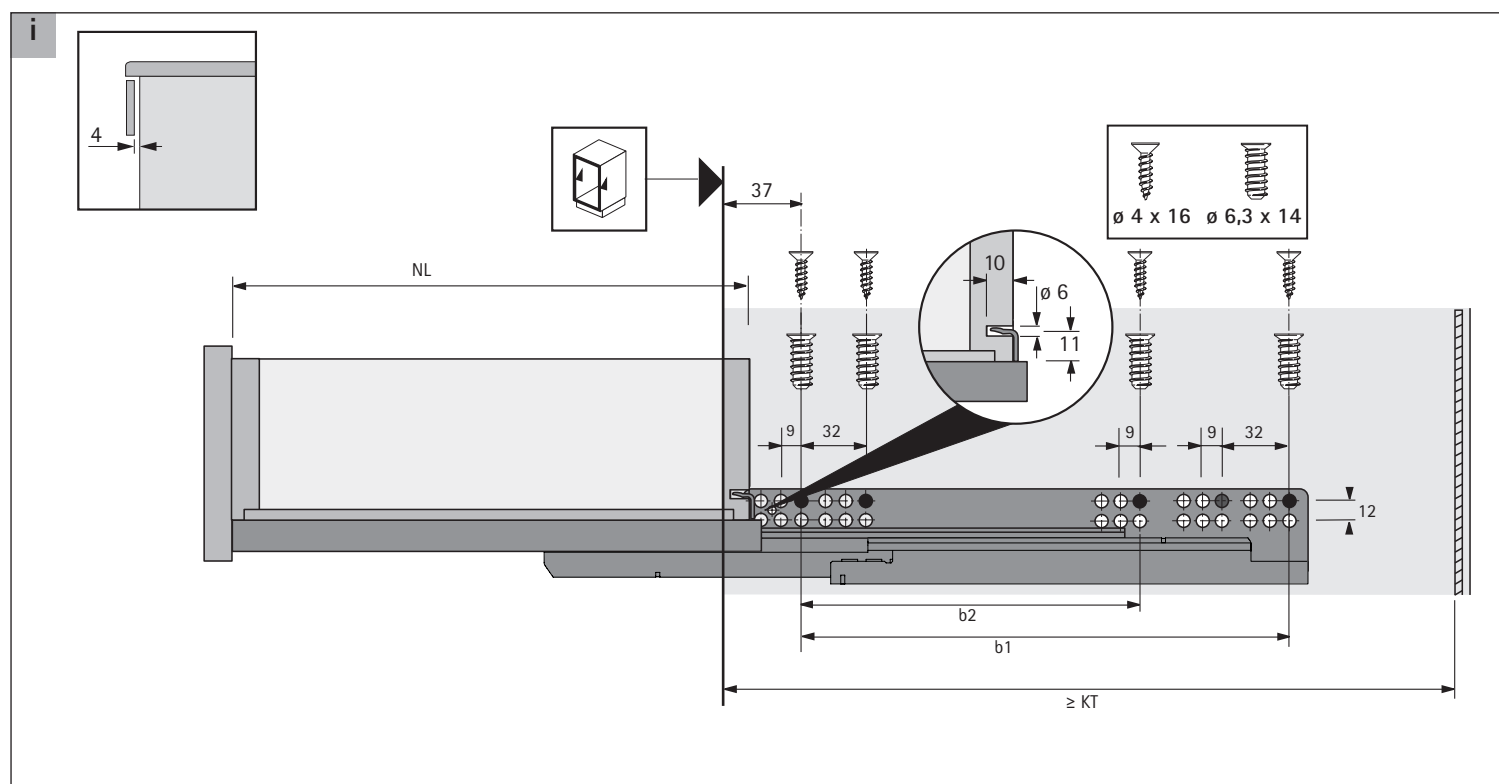
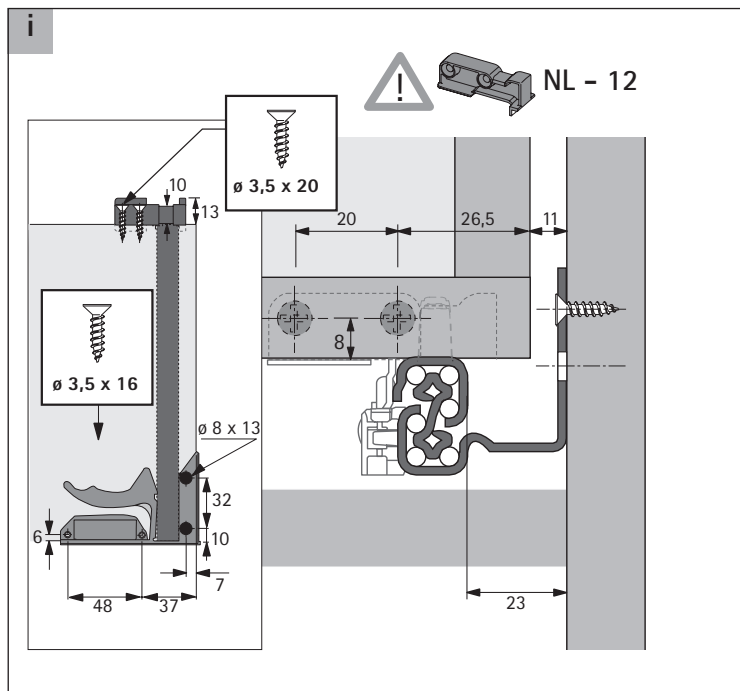
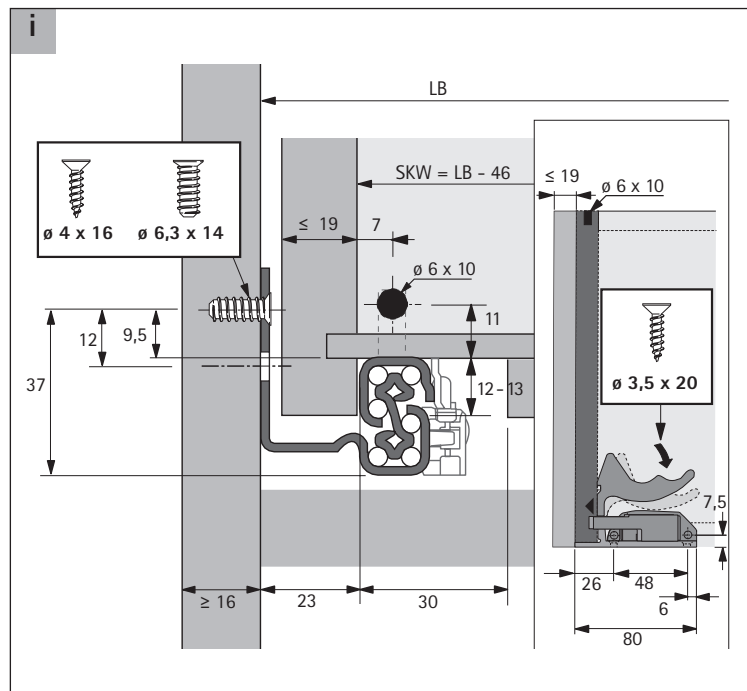


Quadro V6 Push to open Slide-on, EB 23 (≤ 19 mm)

Technik für Möbel



| NL mm | $\geq KT$ mm | b1 mm | b2 mm |
|-------|--------------|-------|-------|
| 250 | 263 | 142 | - |
| 300 | 313 | 192 | - |
| 350 | 363 | 192 | - |
| 400 | 413 | 224 | - |
| 450 | 463 | 256 | - |
| 500 | 513 | 288 | 224 |
| 550 | 563 | 288 | 224 |

