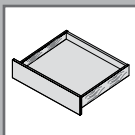


Quadro für Holzschubkästen

Push to open Synchronisation



i

Quadro V6
 Quadro 4D V6
 Quadro V6+

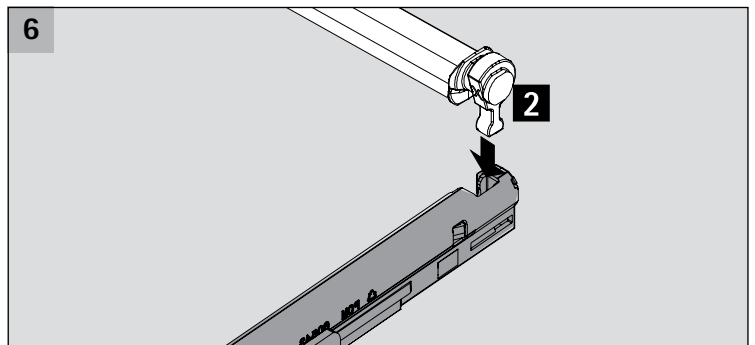
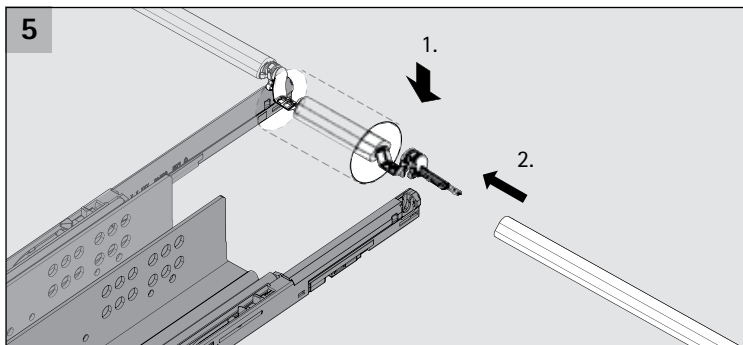
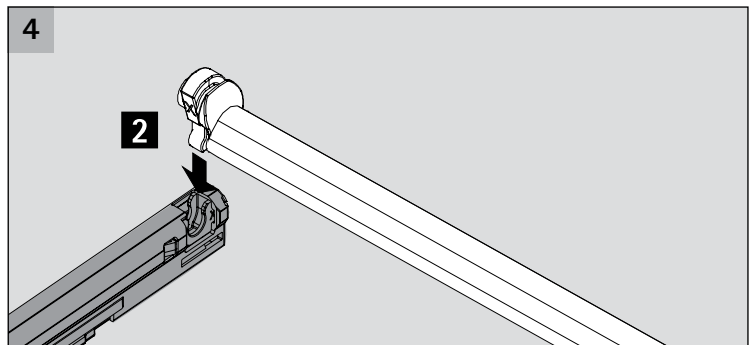
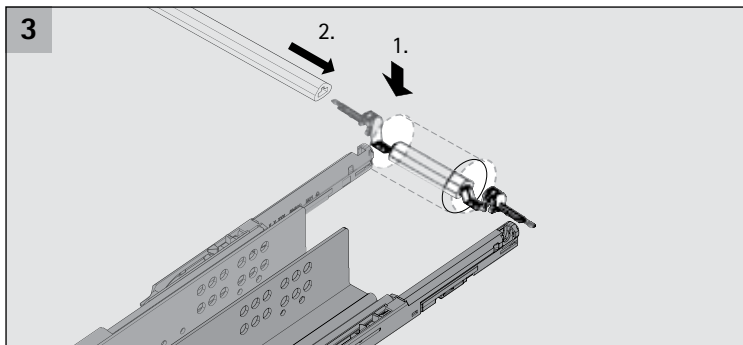
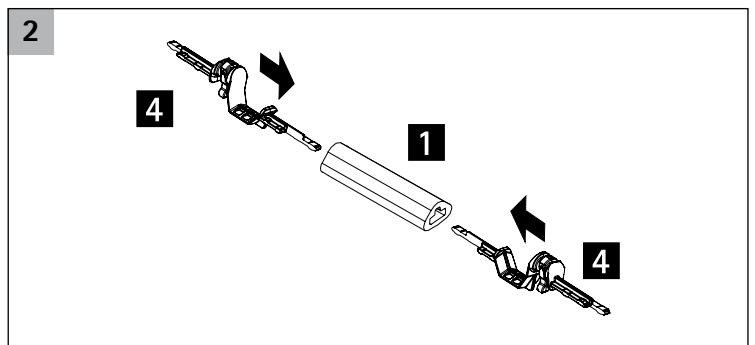
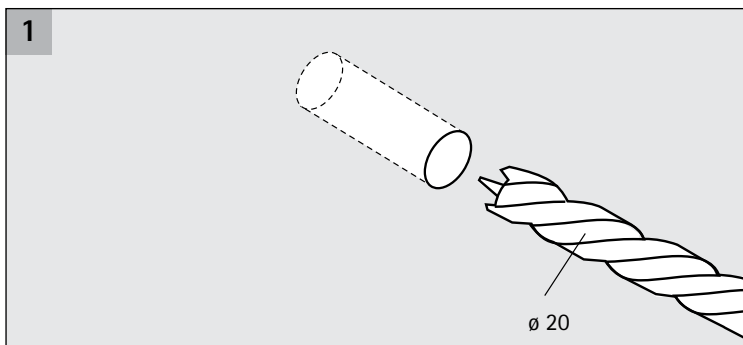
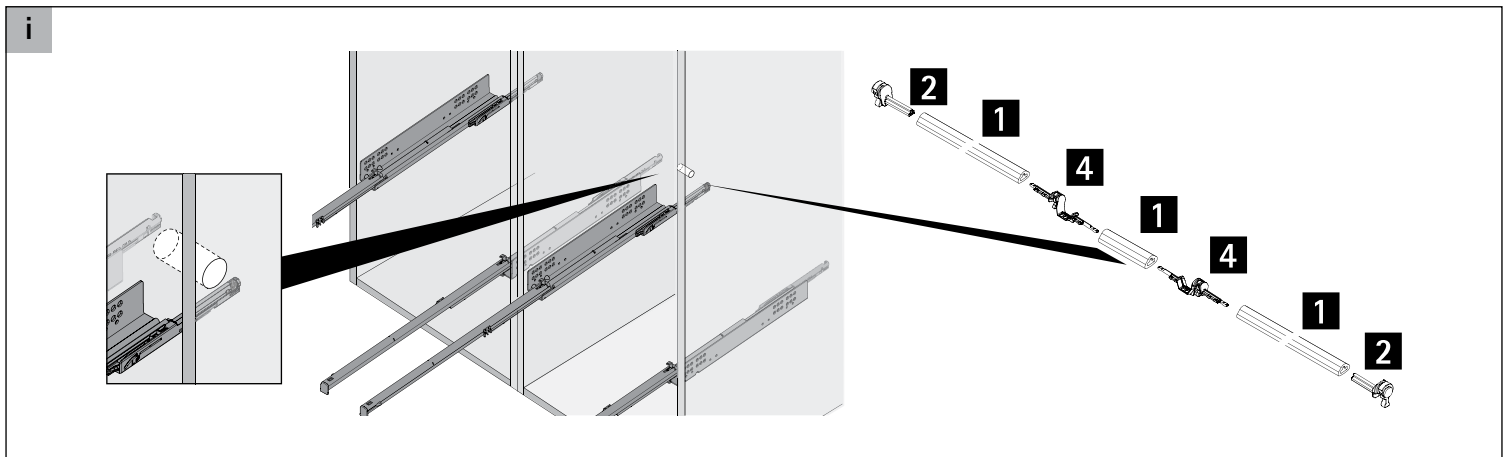
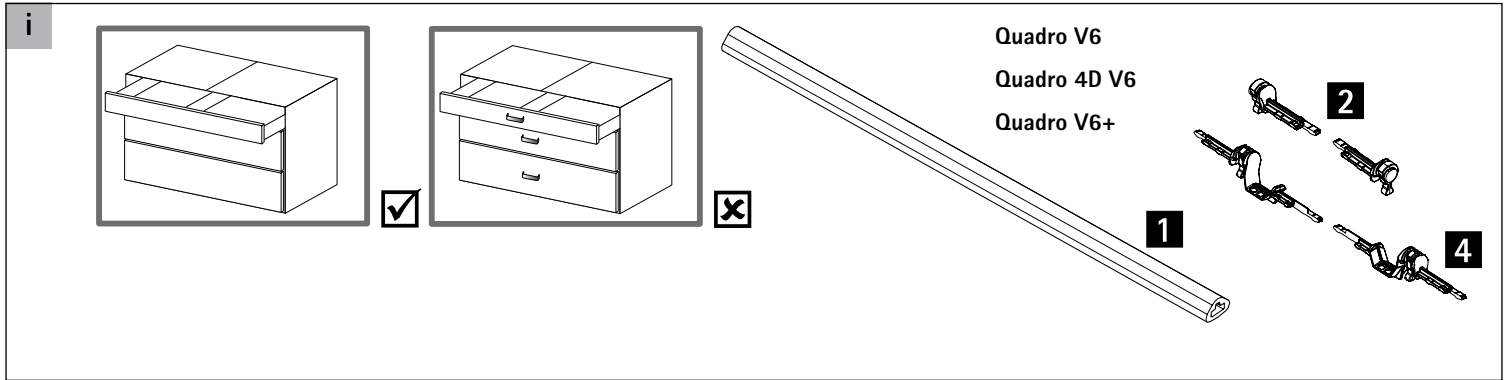
1a

L		
EB 20		EB 23
Quadro V6	Quadro 4D V6	Quadro V6
LB - 89	LB - 93	LB - 95

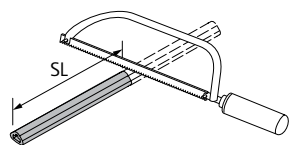
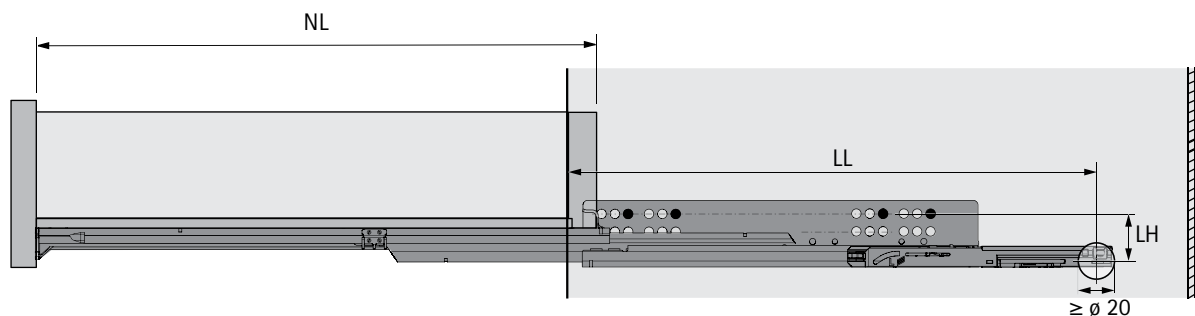
1b

L	
X + Y + 2	

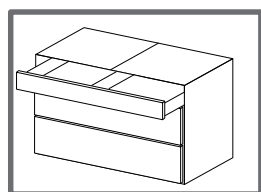
2



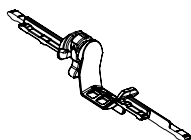
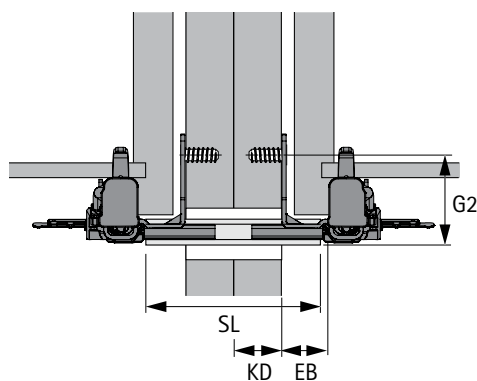
i



$$SL = 2 \times KD + 2 \times EB - 6$$



4



Quadro V6														
NL mm	250	300	320	350	380	400	420	450	480	500	520	550	580	600
LL mm	246	294	294	339	378	378	408	408	432	432	474	474	480	480

Quadro 4D V6														
NL mm	250	300	320	350	380	400	420	450	480	500	520	550	580	600
LL mm	246	294	294	339	378	378	408	408	474	474	474	474	480	480

Quadro V6+														
NL mm				350	380	400	420	450	480	500	520	550	580	600
LL mm				346	376	389	389	421	421	421	485	485	549	549

	LH mm		4 G2 mm
Quadro V6	33	Quadro V6	40
Quadro 4D V6	33	Quadro 4D V6	40
Quadro V6+	38	Quadro V6+	46

