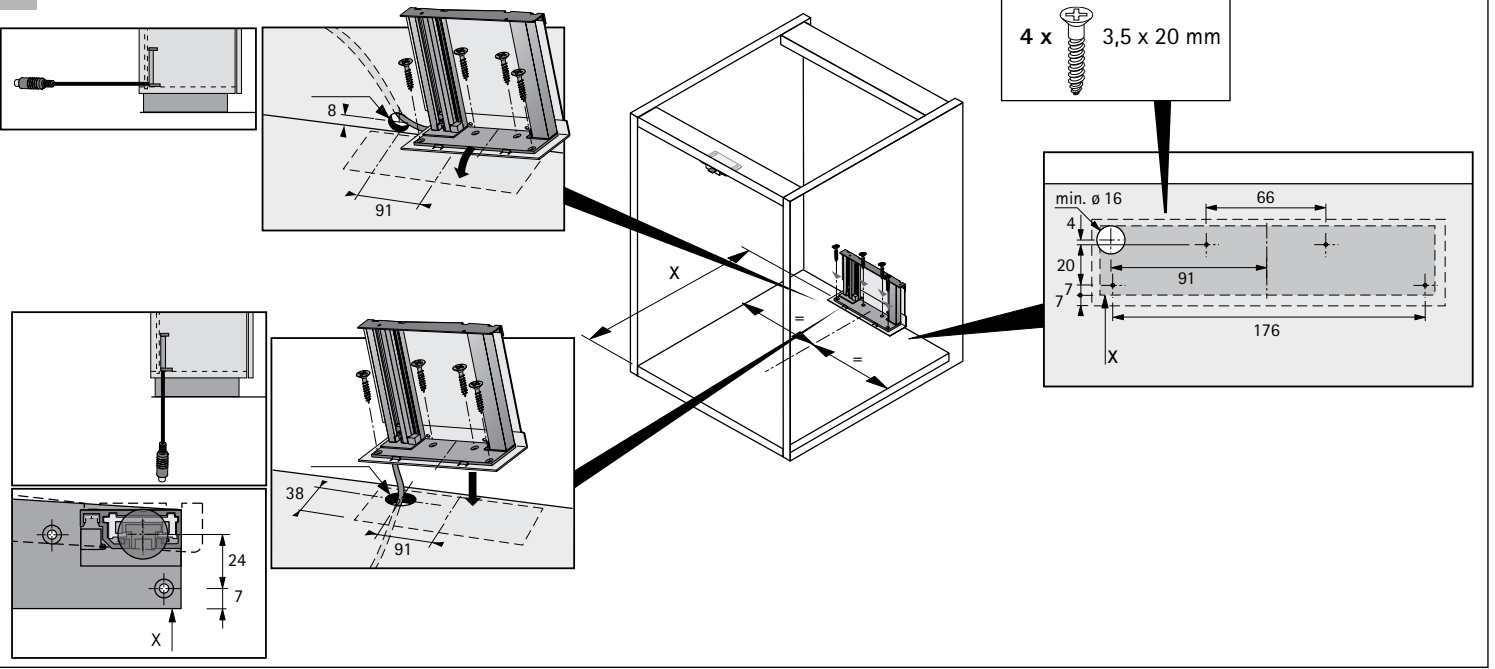


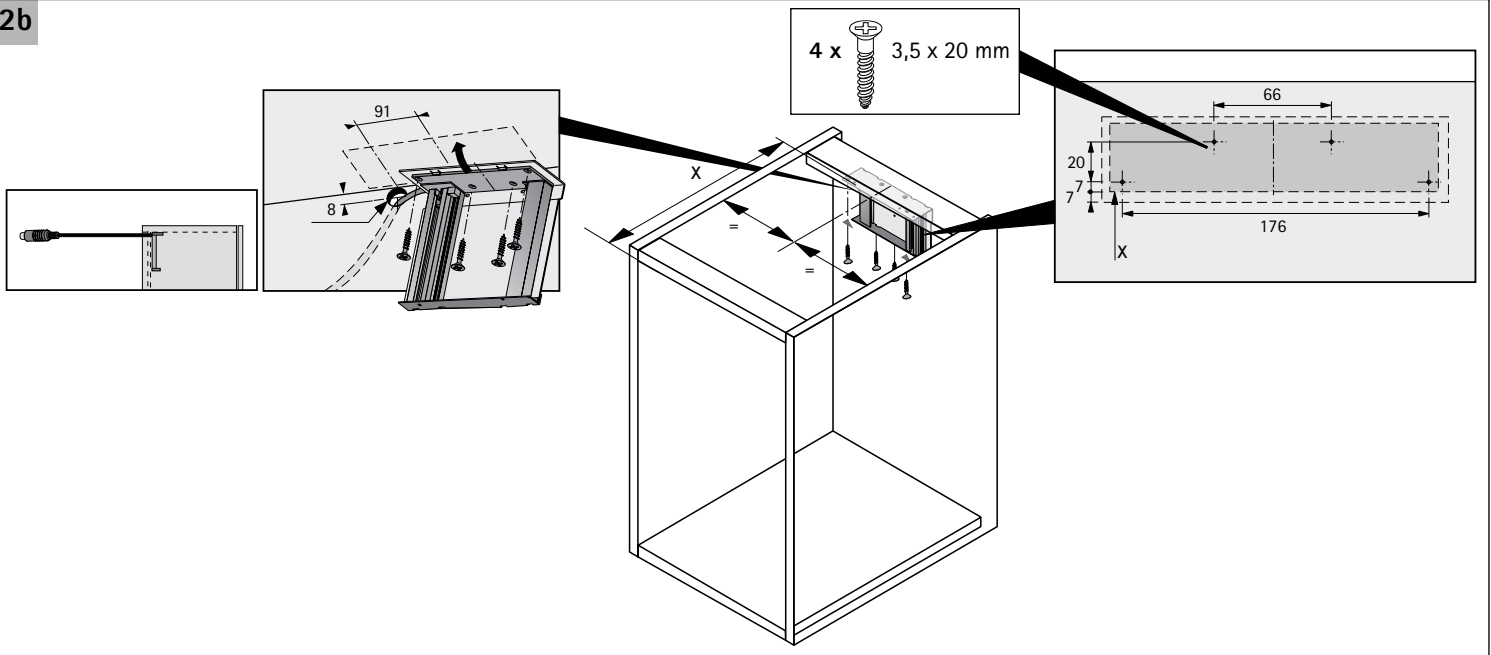
i

ArciTech		$X = NL - 19$	$Y = NL + 26$	InnoTech		$X = NL - 10$	$Y = NL + 35$
ArciTech		$X = NL - 13$	$Y = NL + 32$	InnoTech		$X = NL + 5$	$Y = NL + 50$
Quadro		$X = NL - 2$	$Y = NL + 43$				

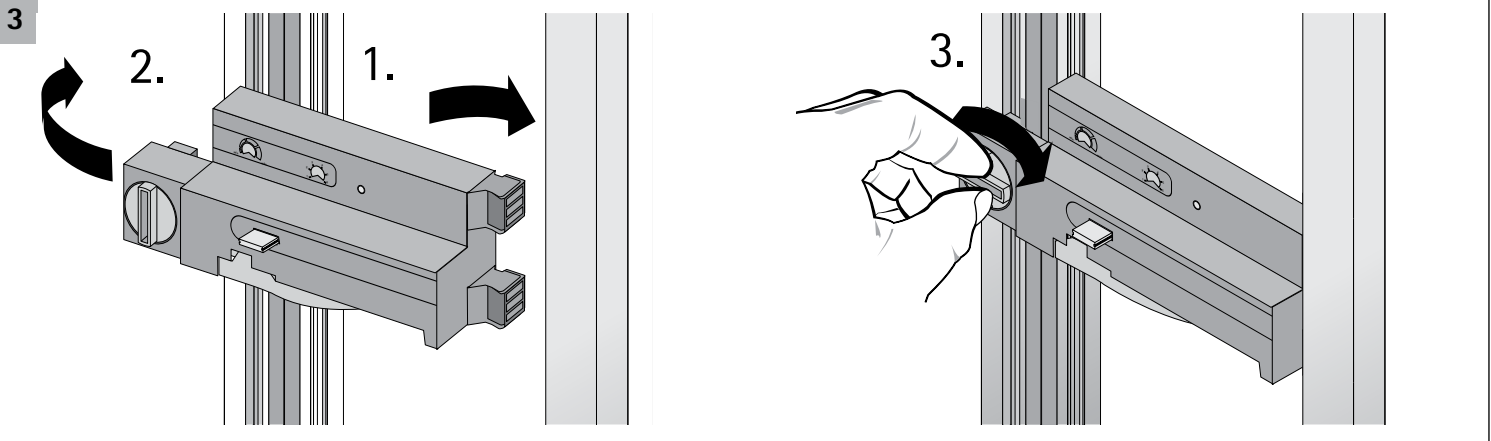
2a



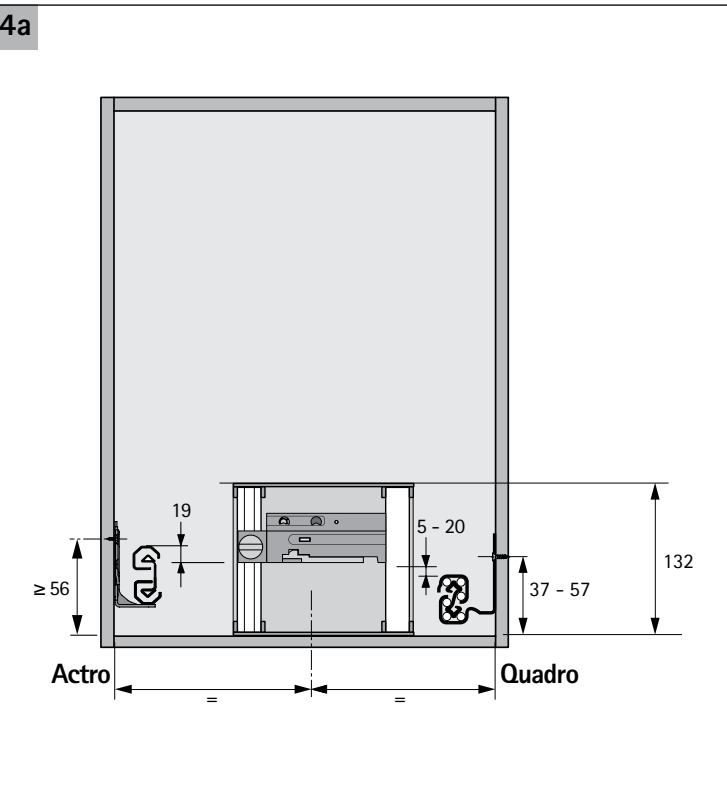
2b



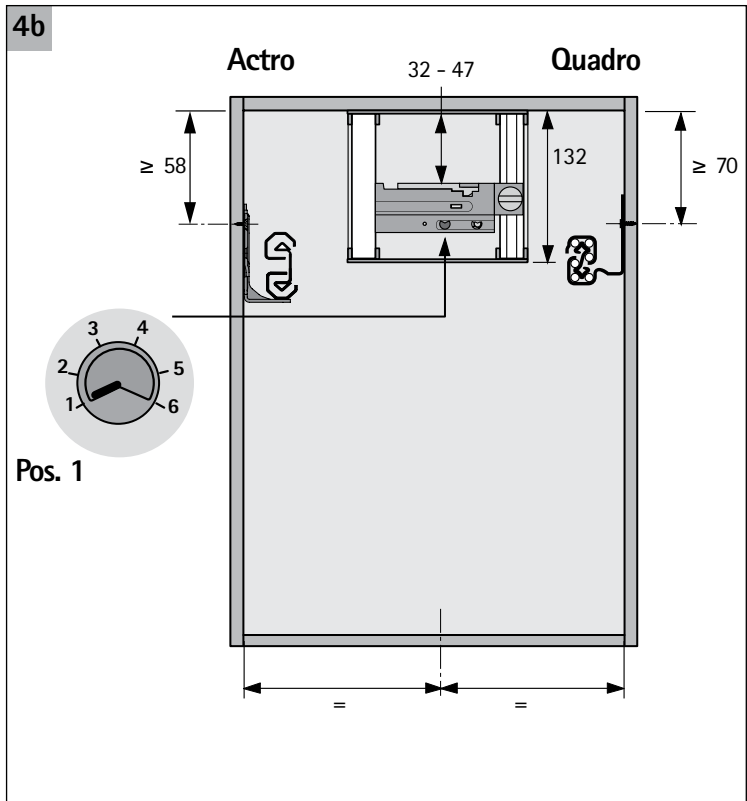
3



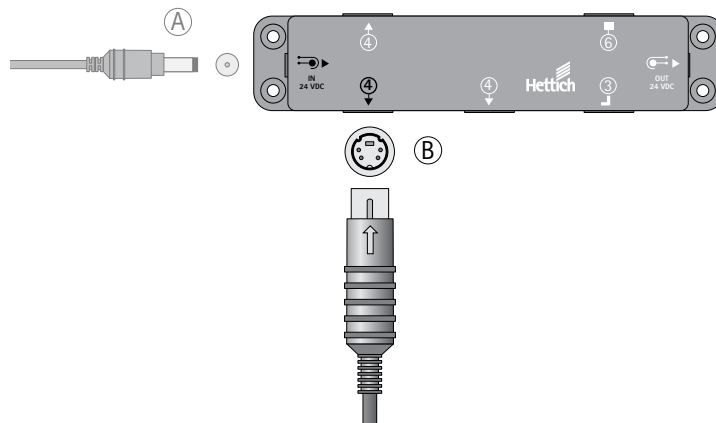
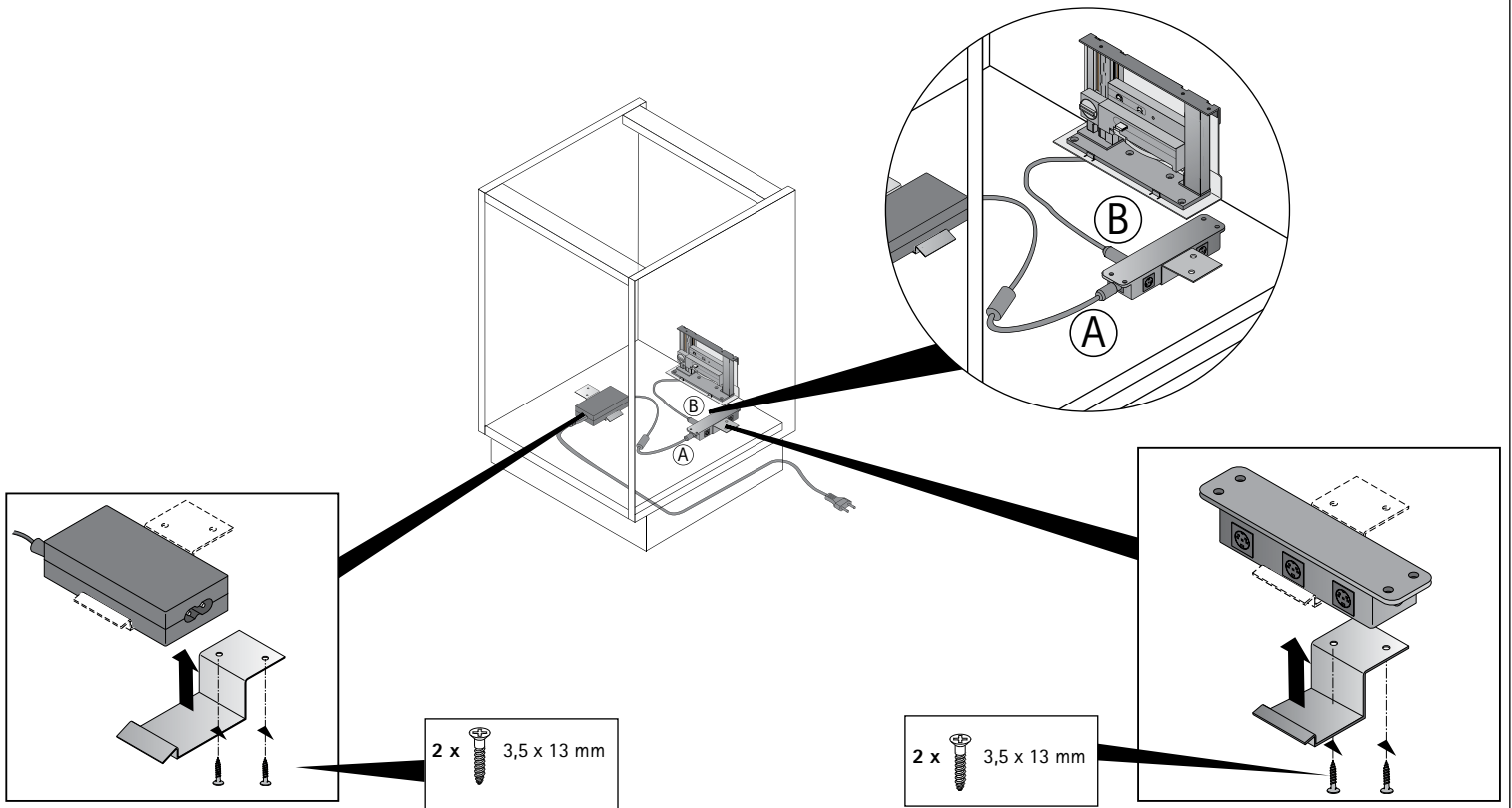
4a



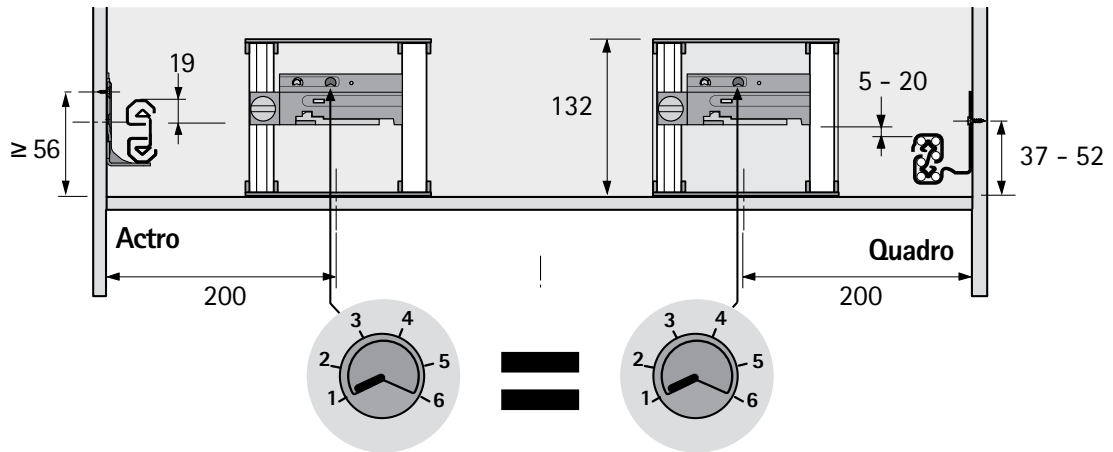
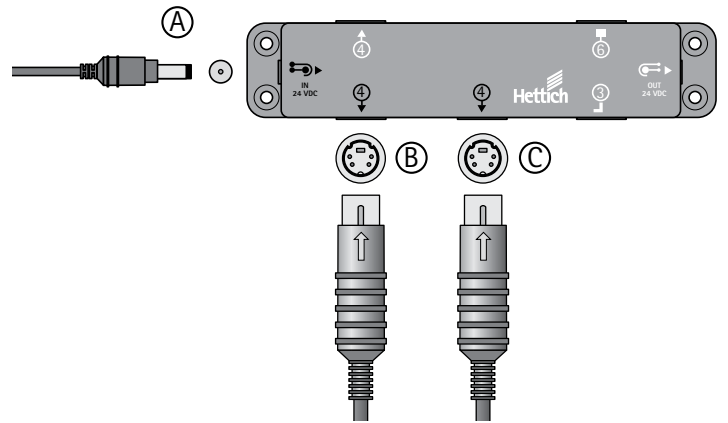
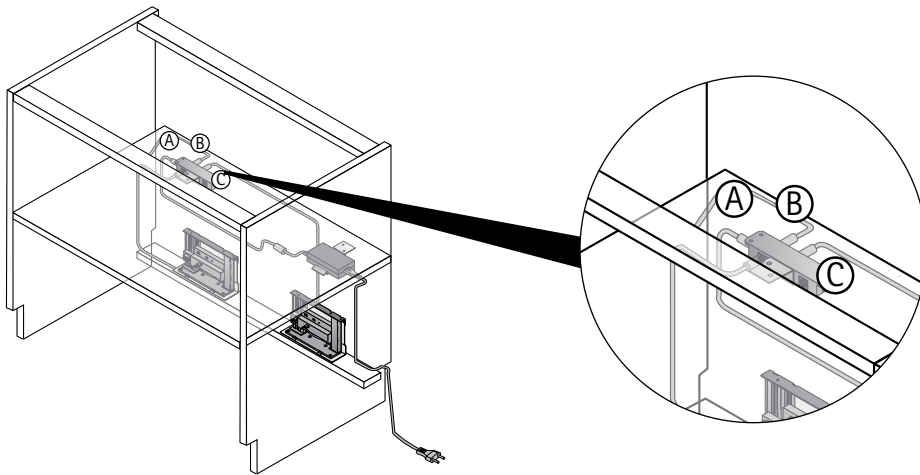
4b



5



!



6

